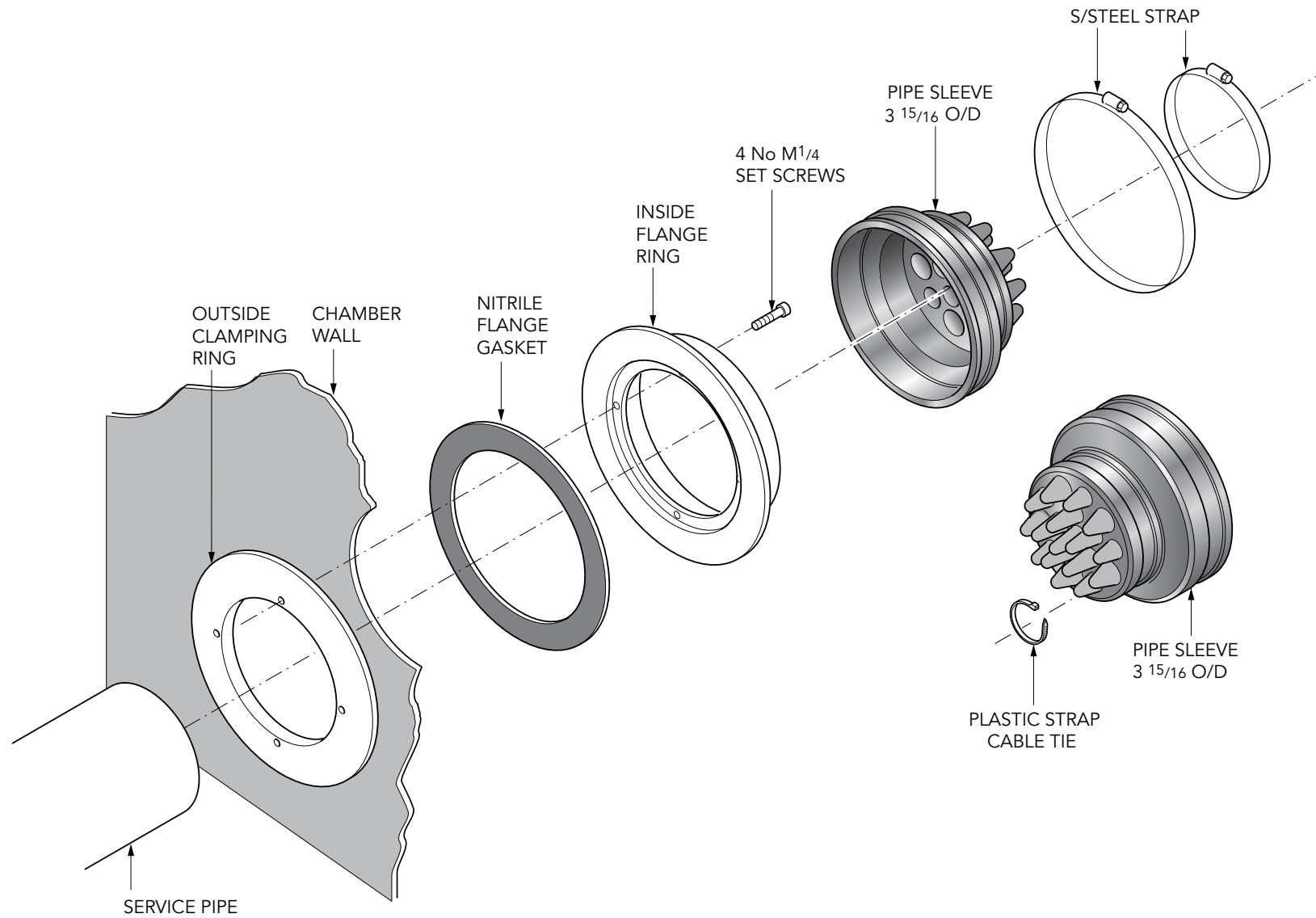


4 11/32 dia. rubber cable entry kit designed to seal up to 16 cables.
Supplied with cable ties.

For reference purposes only. This drawing is not a specification. Order against product code only. To enable continuous improvement of our products, the designs and specifications are subject to change without notice.

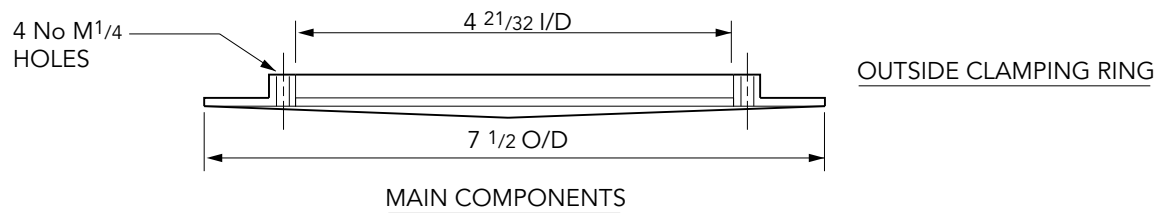
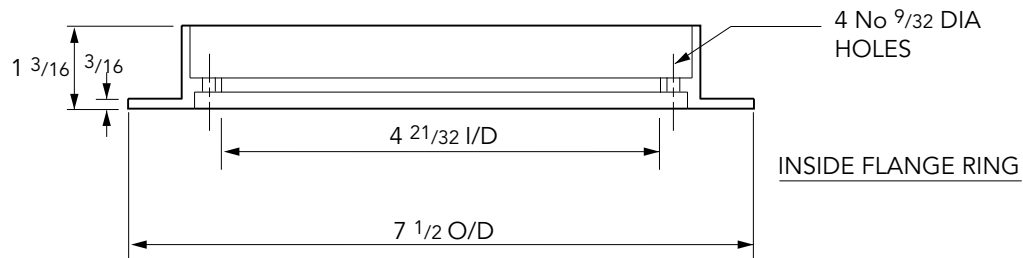
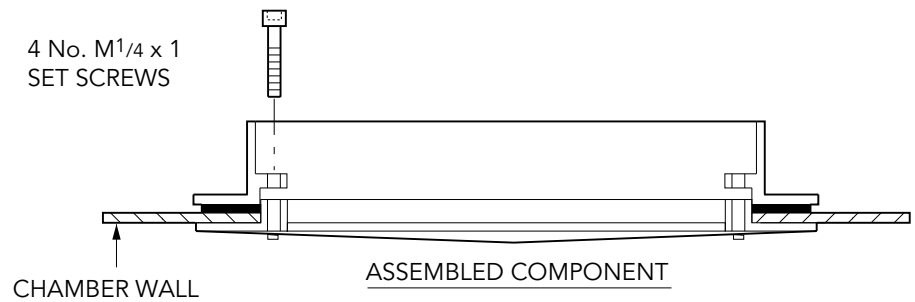
FIBRELITE 
PART OF OPW A  DOVER COMPANY



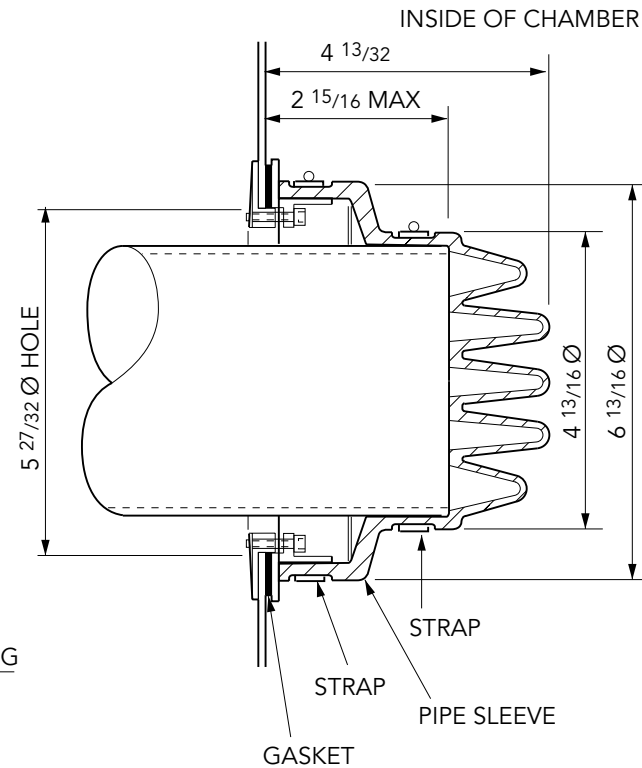
4 11/32 dia. rubber cable entry kit designed to seal up to 16 cables.
 Supplied with cable ties.

For reference purposes only. This drawing is not a specification. Order against product code only. To enable continuous improvement of our products, the designs and specifications are subject to change without notice.





ASSEMBLY FOR
PIPEWORK SIZE 4 ¹¹/₃₂



4 11/32 dia. rubber cable entry kit designed to seal up to 16 cables.
Supplied with cable ties.

For reference purposes only. This drawing is not a specification. Order against product code only. To enable continuous improvement of our products, the designs and specifications are subject to change without notice.

FIBRELITE 
PART OF OPW A DOWDER COMPANY