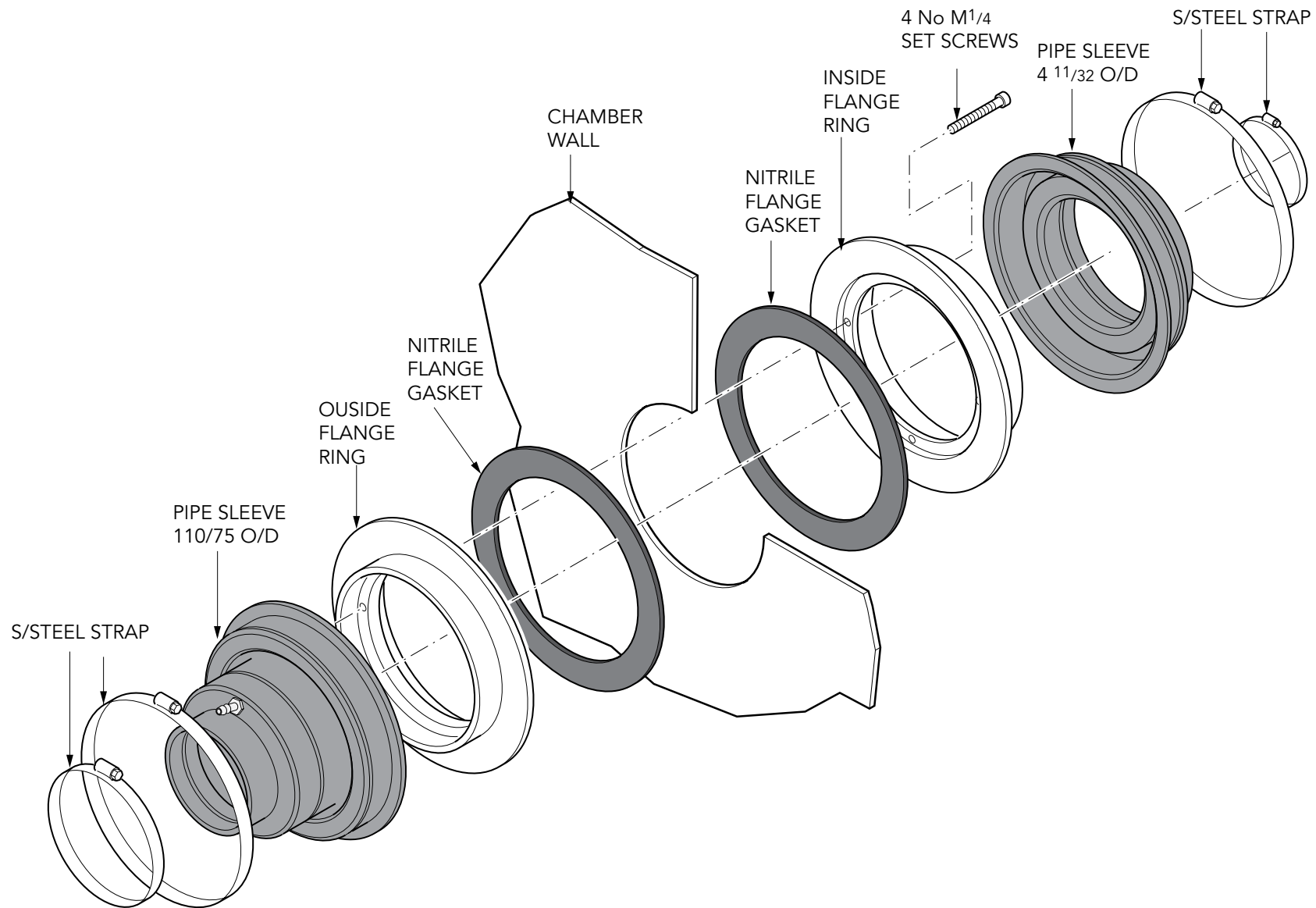


Dual Bore Pipe Entry kit suitable for 4 11/32" - 2 15/16" Pipe.

For reference purposes only. This drawing is not a specification. Order against product code only. To enable continuous improvement of our products, the designs and specifications are subject to change without notice.

FIBRELITE 
PART OF OPW A  DOVER COMPANY



Dual Bore Pipe Entry kit suitable for 4 11/32" - 2 15/16" Pipe.

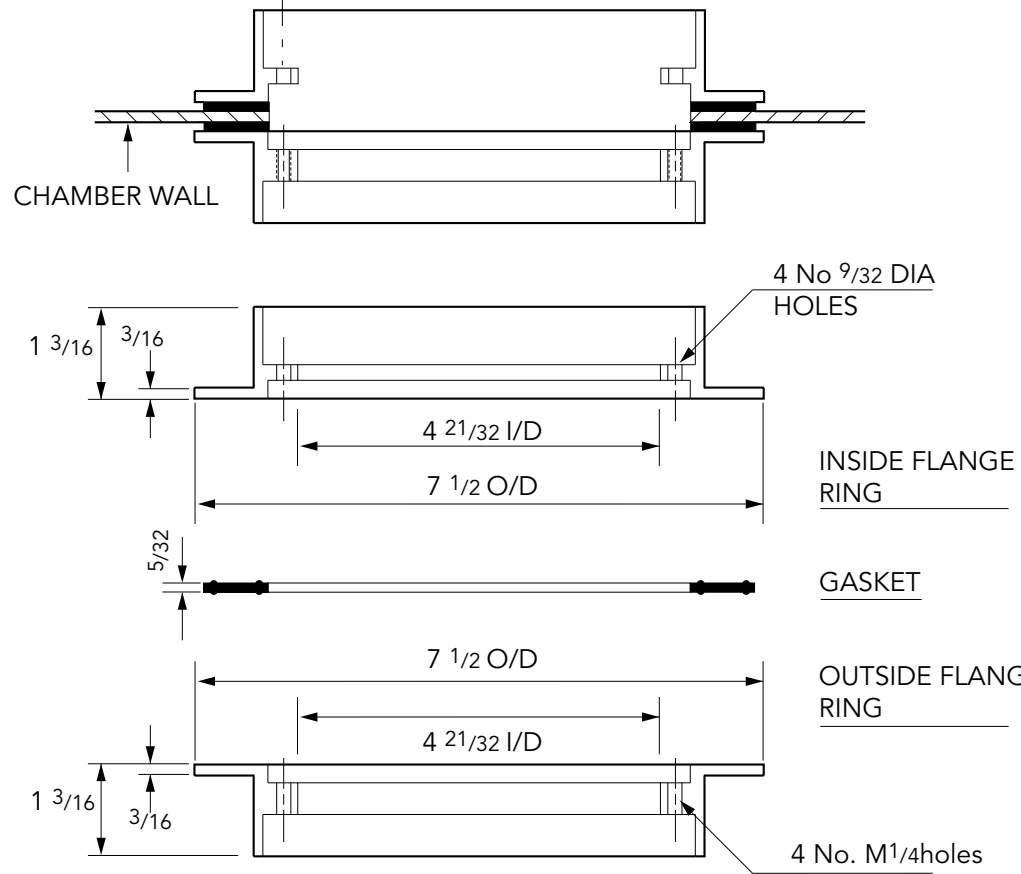
For reference purposes only. This drawing is not a specification. Order against product code only. To enable continuous improvement of our products, the designs and specifications are subject to change without notice.



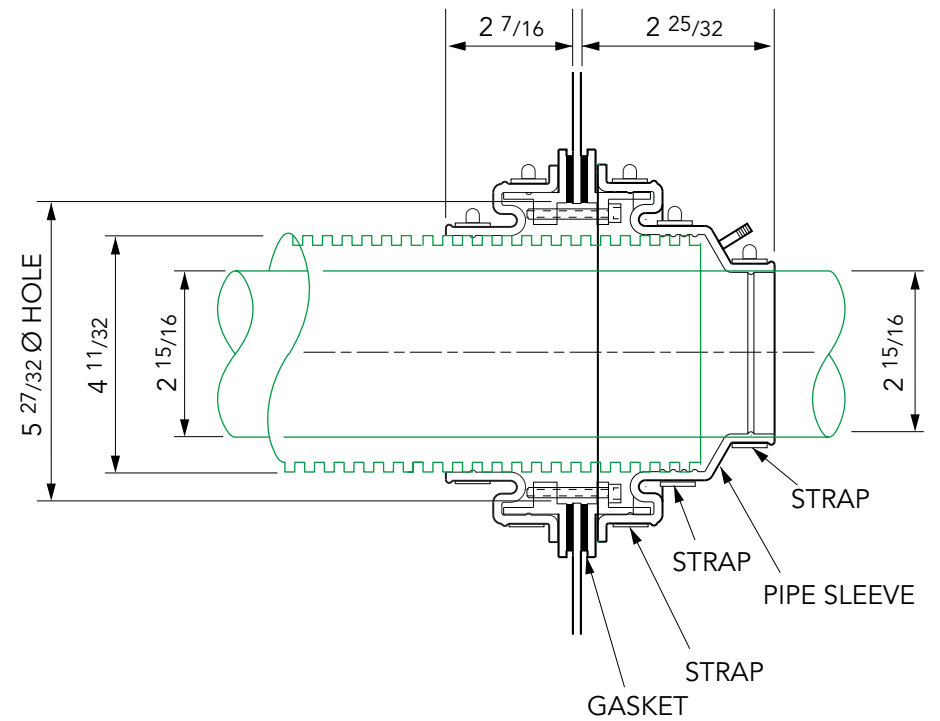
4 No. M¹/₄ x 1
SET SCREWS

ASSEMBLED COMPONENT

ASSEMBLY FOR PIPEWORK
SIZE 4 11/32 & 2 15/16 O/D



INSIDE OF CHAMBER



Dual Bore Pipe Entry kit suitable for 4 11/32" - 2 15/16" Pipe.

For reference purposes only. This drawing is not a specification. Order against product code only. To enable continuous improvement of our products, the designs and specifications are subject to change without notice.

