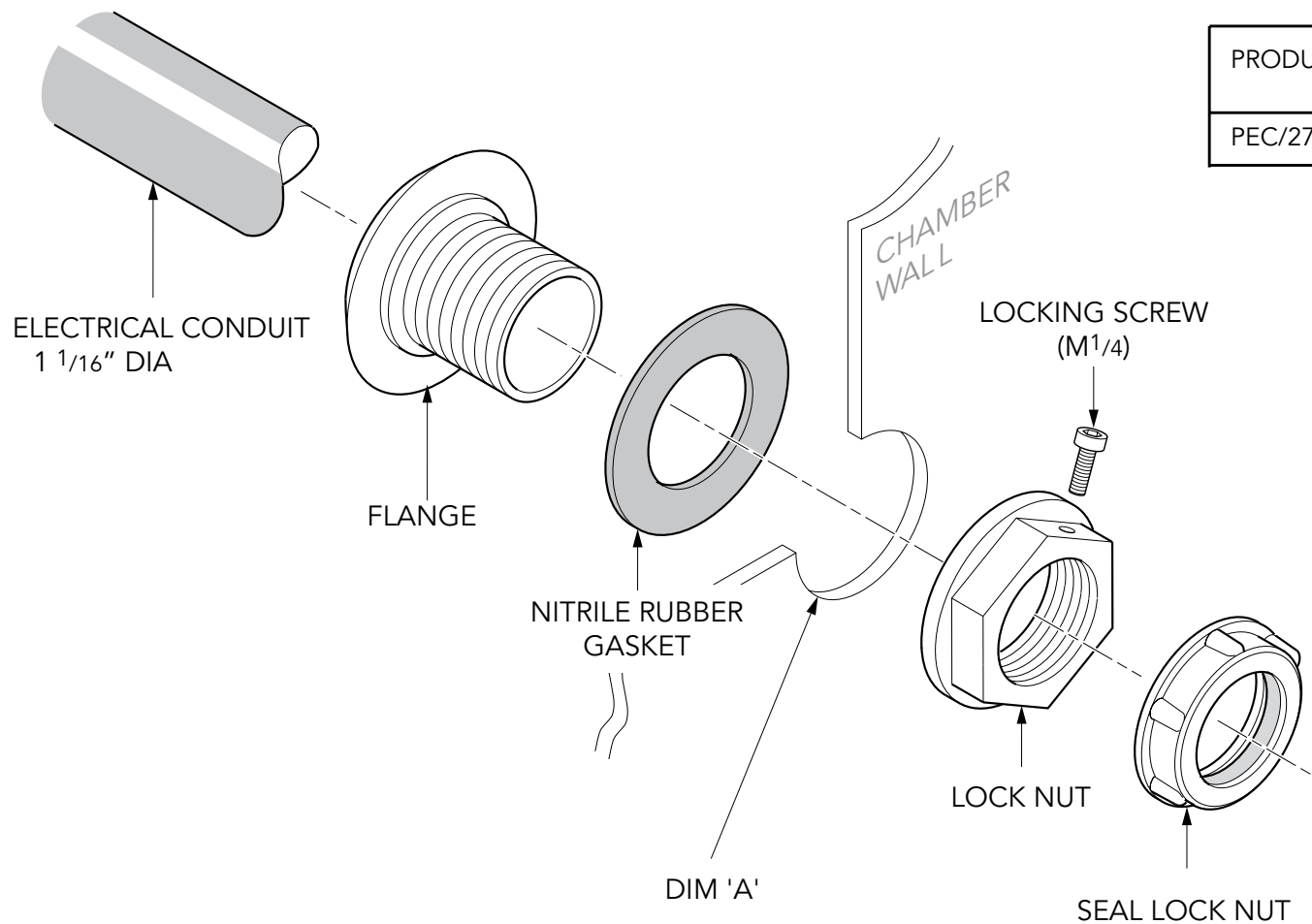


PRODUCT CODE	To fit Steel Conduit (internal dia. inches)	Hole Size Dim 'A' (dia. inches)
PEC/27	1/4	2

1 1/16 " diameter electrical entry pipe kit.

For reference purposes only. This drawing is not a specification. Order against product code only. To enable continuous improvement of our products, the designs and specifications are subject to change without notice.

FIBRELITE 
PART OF OPW A DOVER COMPANY

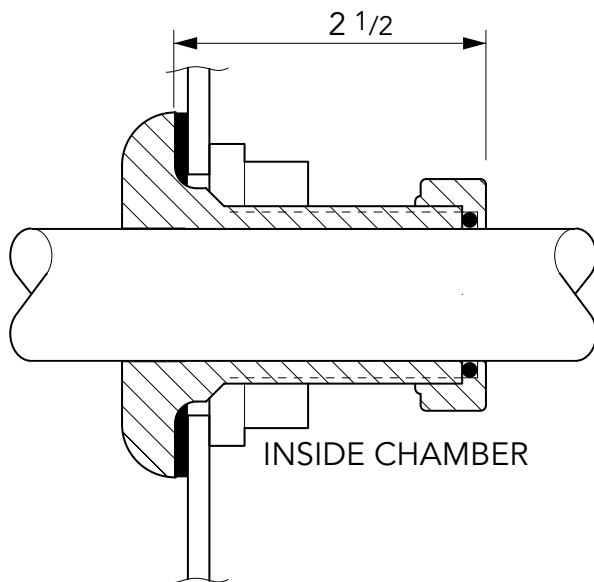
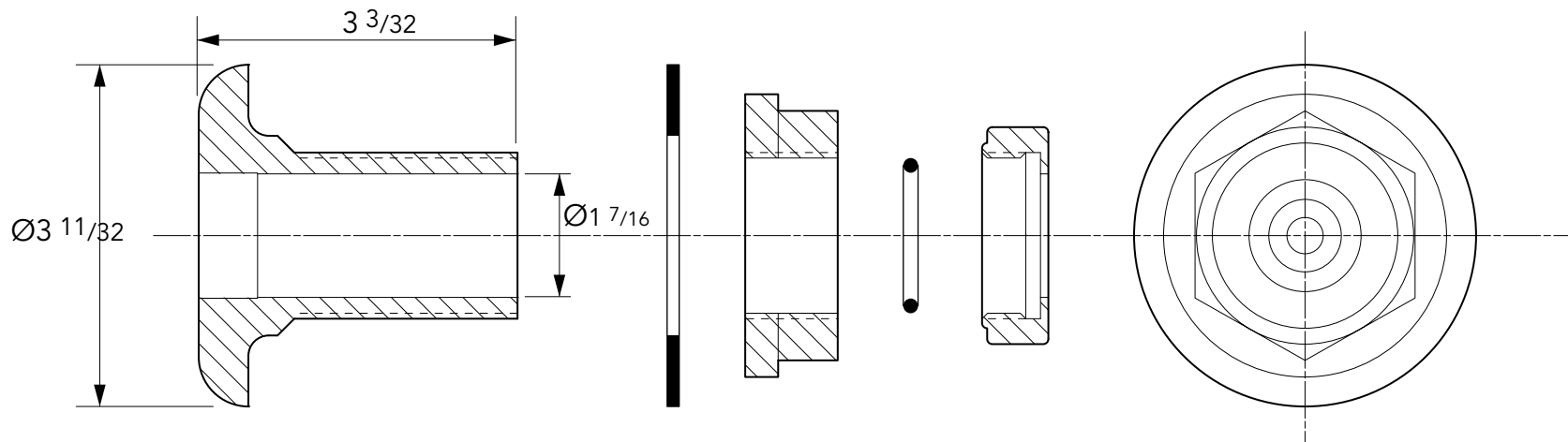


PRODUCT CODE	To fit Steel Conduit (internal dia. inches)	Hole Size Dim 'A' (dia. inches)
PEC/27	1/4	2

1 1/16 " diameter electrical entry pipe kit.

For reference purposes only. This drawing is not a specification. Order against product code only. To enable continuous improvement of our products, the designs and specifications are subject to change without notice.





1 1/16 " diameter electrical entry pipe kit.

For reference purposes only. This drawing is not a specification. Order against product code only. To enable continuous improvement of our products, the designs and specifications are subject to change without notice.

FIBRELITE 
PART OF OPW A DOVER COMPANY