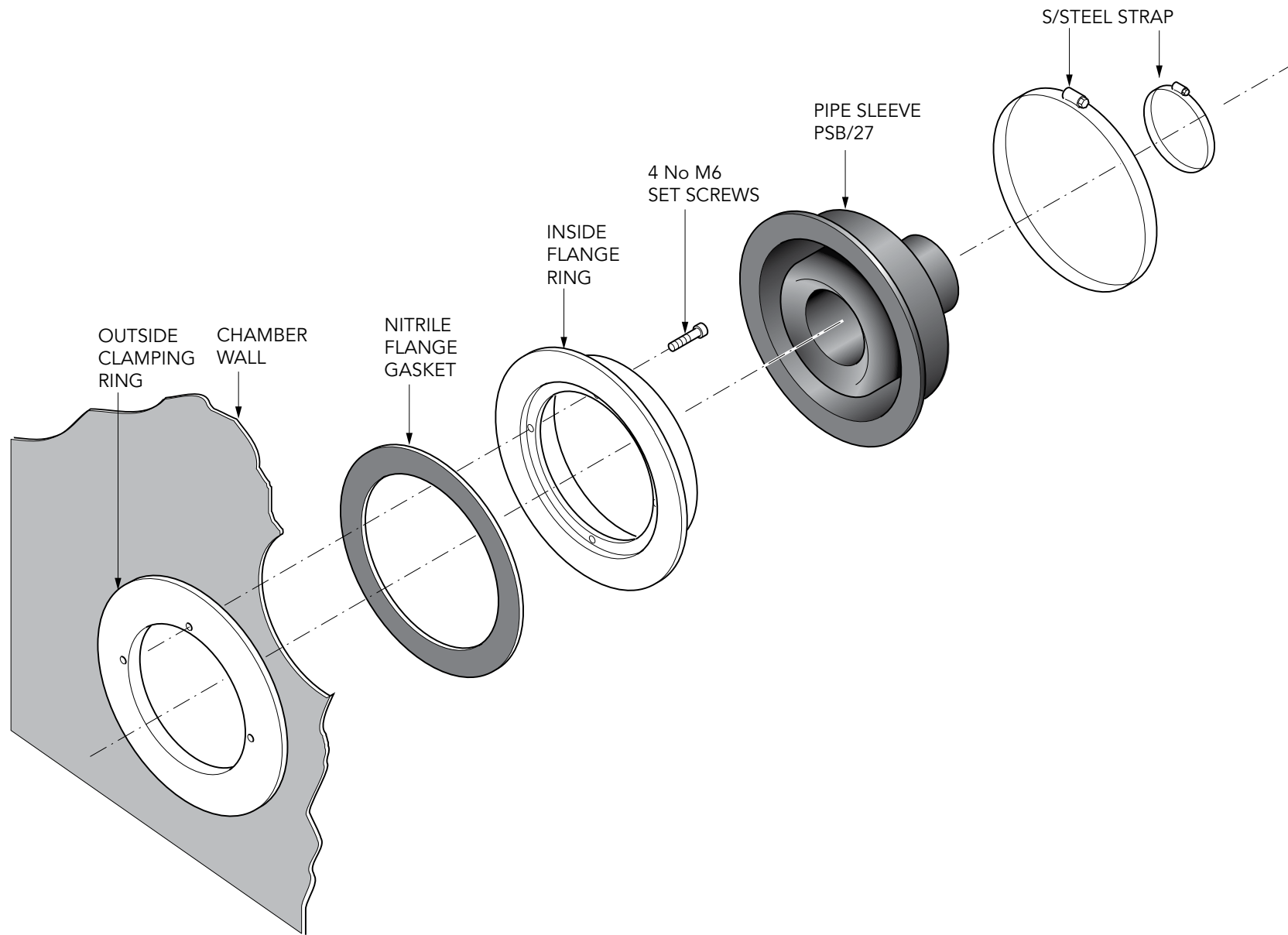


Pipe entry kits to fit 3/4" steel conduit.

For reference purposes only. This drawing is not a specification. Order against product code only. To enable continuous improvement of our products, the designs and specifications are subject to change without notice.

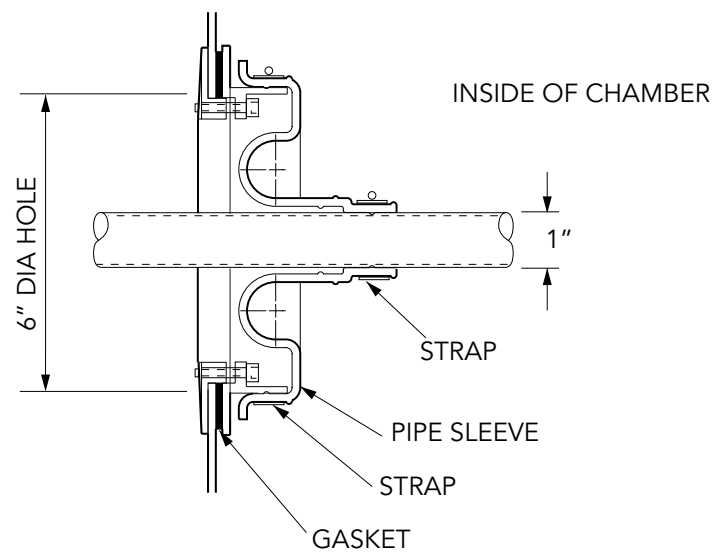
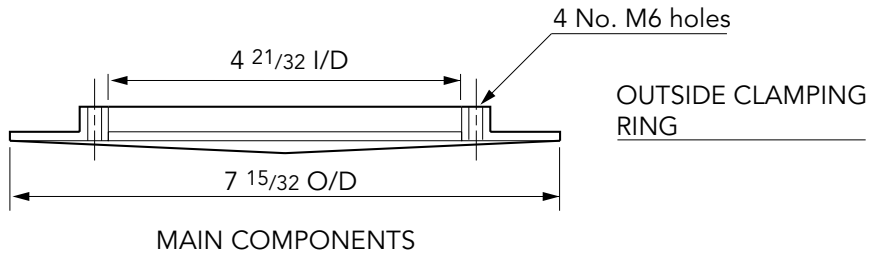
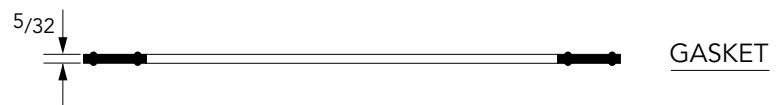
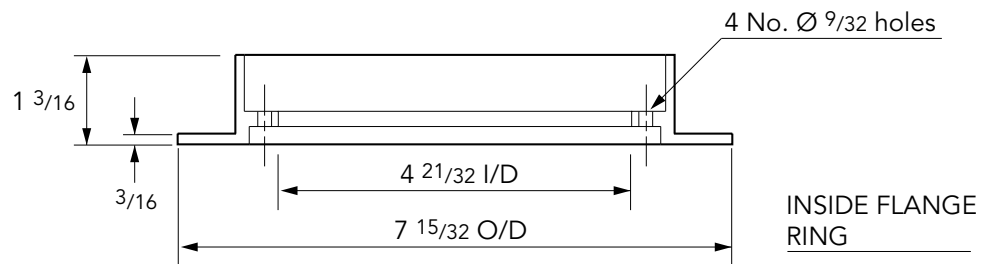
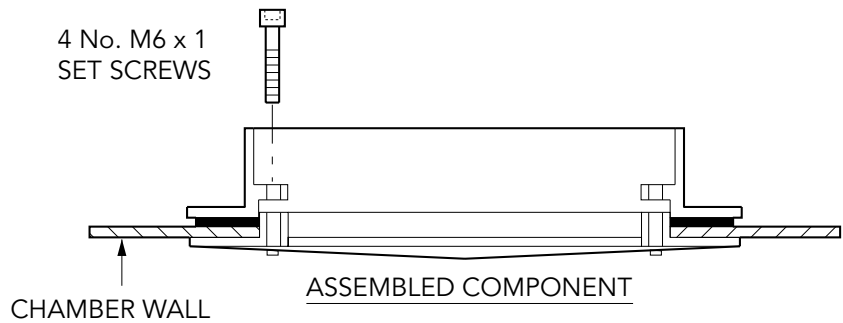
**FIBRELITE**   
PART OF OPW A  DOVER COMPANY



Pipe entry kits to fit 3/4" steel conduit.

For reference purposes only. This drawing is not a specification. Order against product code only. To enable continuous improvement of our products, the designs and specifications are subject to change without notice.

**FIBRELITE**   
PART OF OPW A DOVER COMPANY



Pipe entry kits to fit 3/4" steel conduit.

For reference purposes only. This drawing is not a specification. Order against product code only. To enable continuous improvement of our products, the designs and specifications are subject to change without notice.

