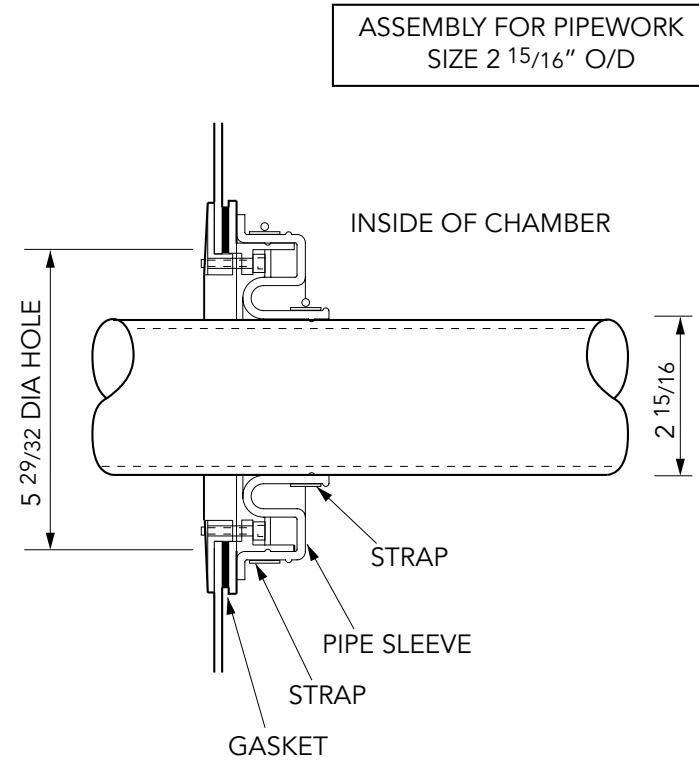
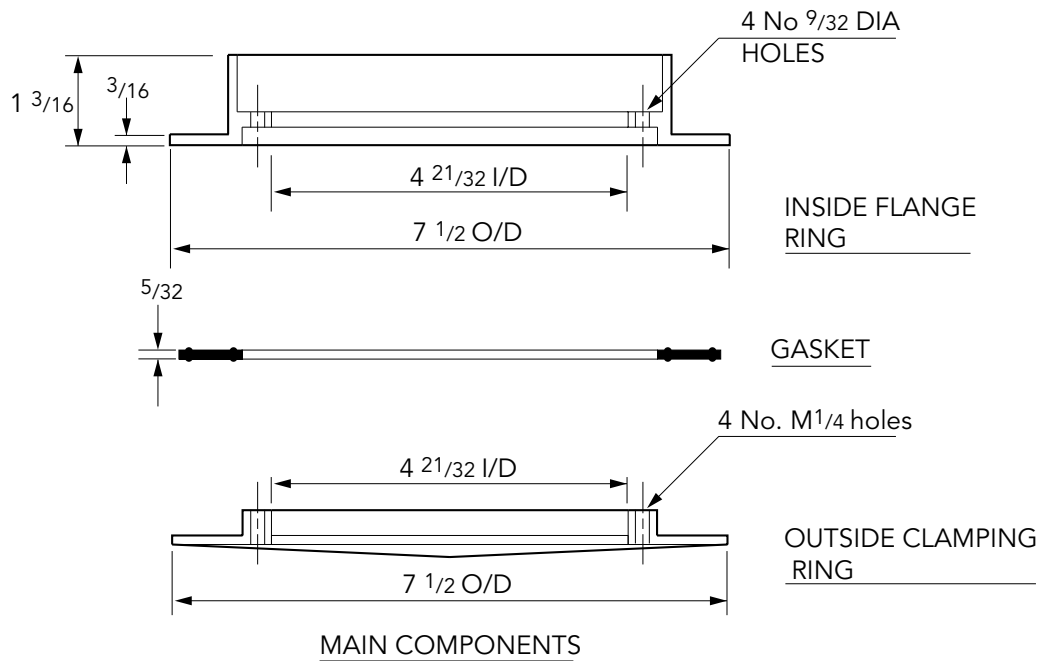
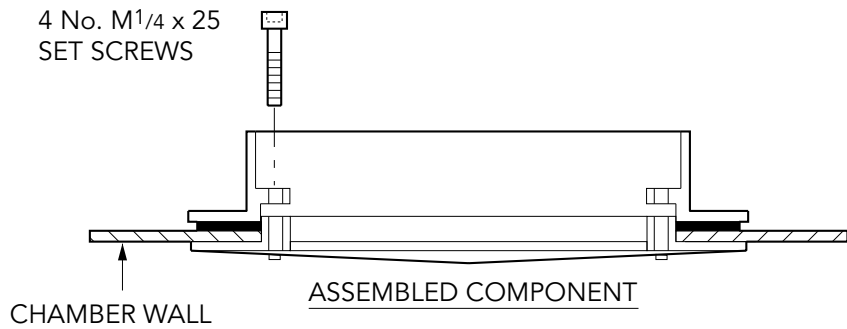


Pipe entry kit to fit 2 15/16" single bore pipework.

For reference purposes only. This drawing is not a specification. Order against product code only. To enable continuous improvement of our products, the designs and specifications are subject to change without notice.





Pipe entry kit to fit 2 15/16" single bore pipework.

For reference purposes only. This drawing is not a specification. Order against product code only. To enable continuous improvement of our products, the designs and specifications are subject to change without notice.

**FIBRELITE**   
PART OF OPW A DDOVER COMPANY