

Pipe entry kit to fit 3 17/32" single bore pipework.

For reference purposes only. This drawing is not a specification. Order against product code only. To enable continuous improvement of our products, the designs and specifications are subject to change without notice.



4 No. M1/4 x 25
SET SCREWS

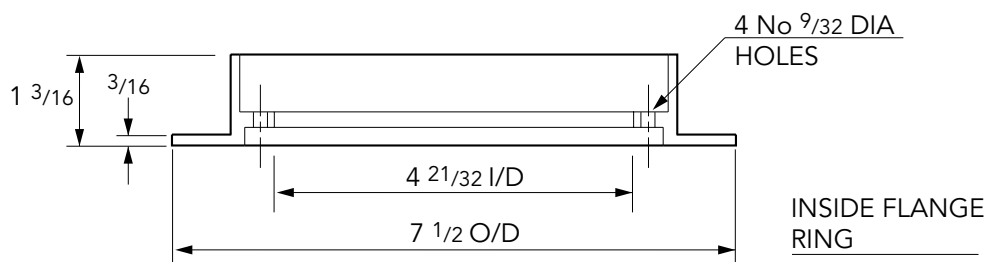


CHAMBER WALL

ASSEMBLED COMPONENT

ASSEMBLY FOR PIPEWORK
SIZE 3 17/32" O/D

INSIDE OF CHAMBER

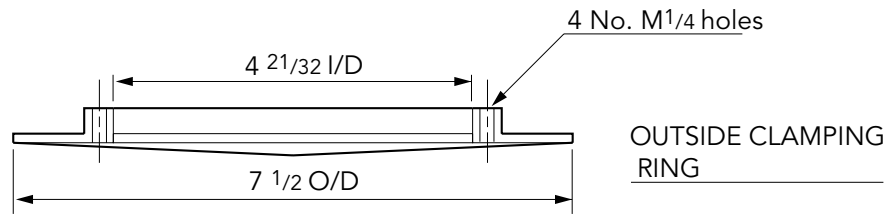


4 No 9/32 DIA HOLES

INSIDE FLANGE RING



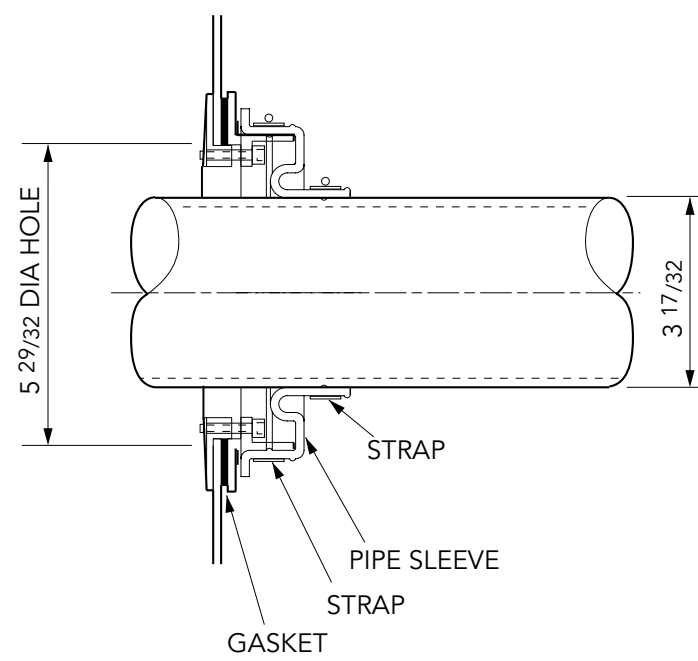
GASKET



4 No. M1/4 holes

OUTSIDE CLAMPING RING

MAIN COMPONENTS



Pipe entry kit to fit 3 17/32" single bore pipework.

For reference purposes only. This drawing is not a specification. Order against product code only. To enable continuous improvement of our products, the designs and specifications are subject to change without notice.

