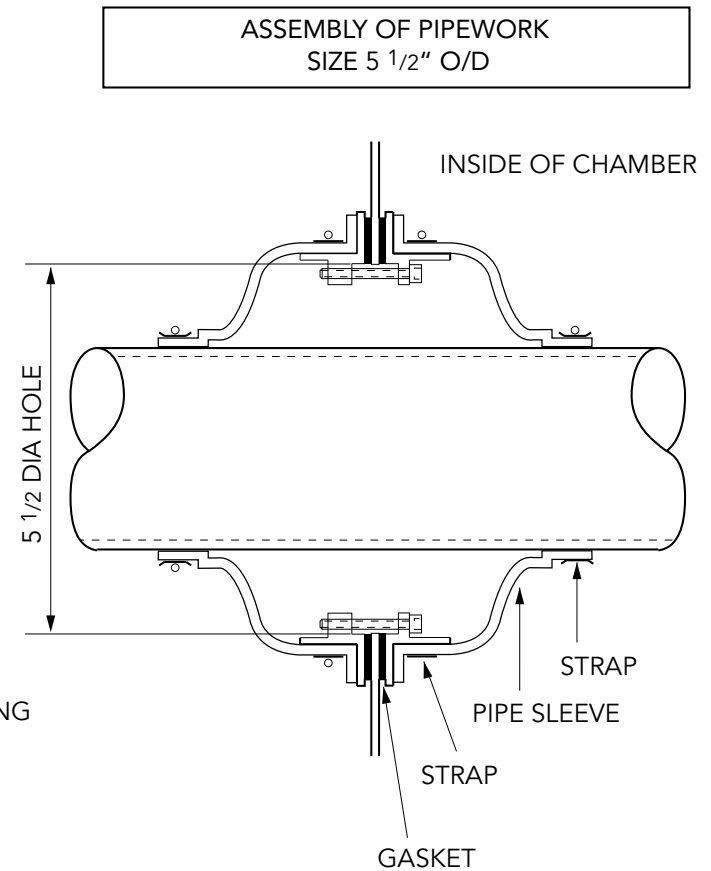
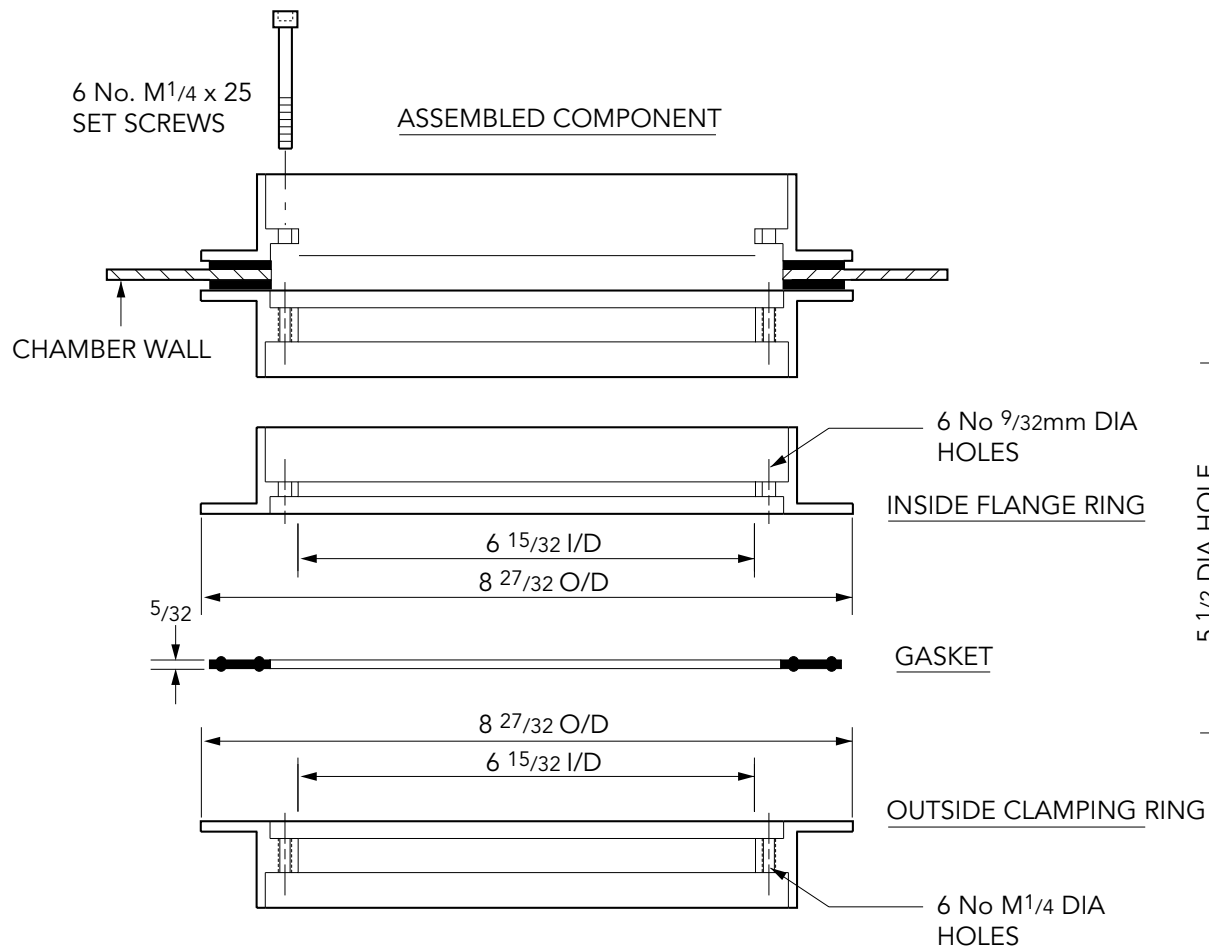


PRODUCT CODE	CLAMPING RANGE O/D OF PIPE	
	MIN.	MAX.
PSBD/140	4 <sup>31</sup> / <sub>32</sub>	5 <sup>1</sup> / <sub>2</sub>

Double sided pipe entry kit to fit 5 1/2 " dia. primary pipework..

For reference purposes only. This drawing is not a specification. Order against product code only. To enable continuous improvement of our products, the designs and specifications are subject to change without notice.





Double sided pipe entry kit to fit 5 1/2 " dia. primary pipework..

For reference purposes only. This drawing is not a specification. Order against product code only. To enable continuous improvement of our products, the designs and specifications are subject to change without notice.

**FIBRELITE**   
PART OF OPW A DOWDER COMPANY