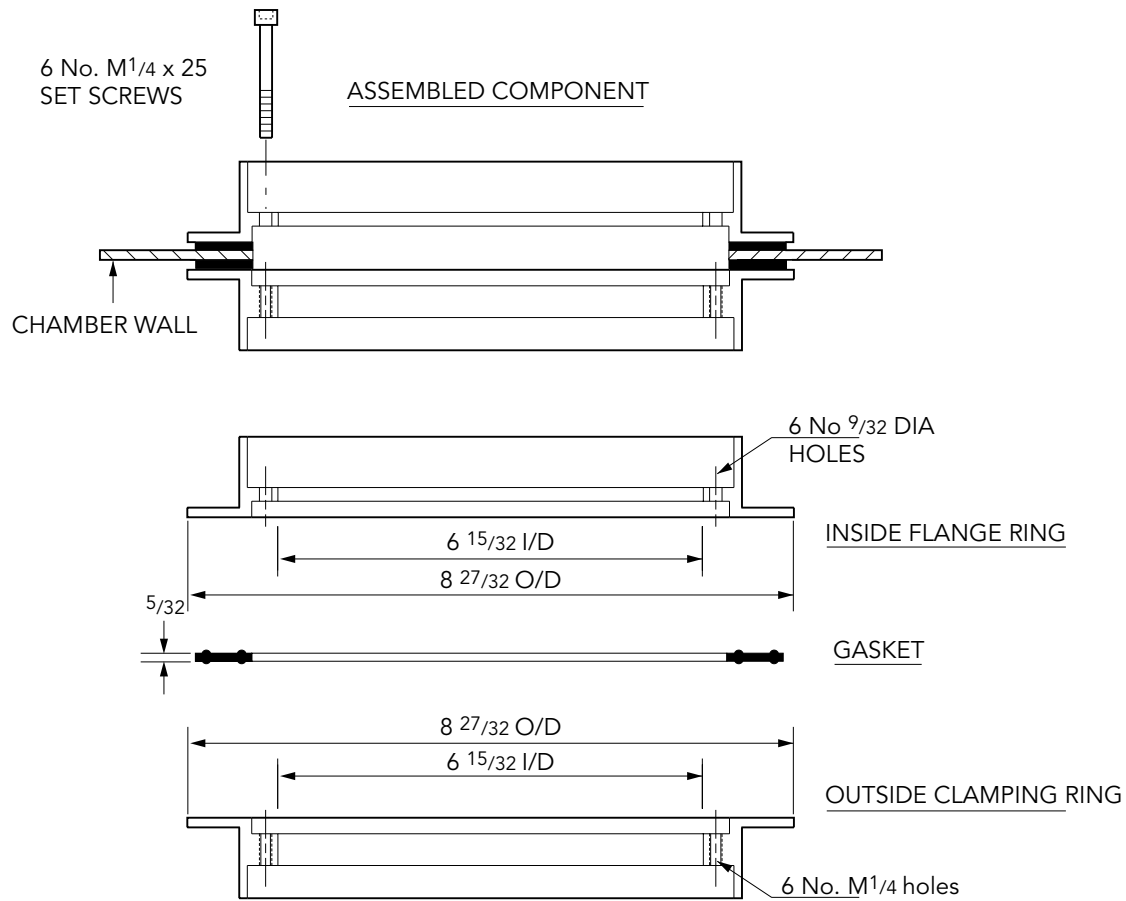


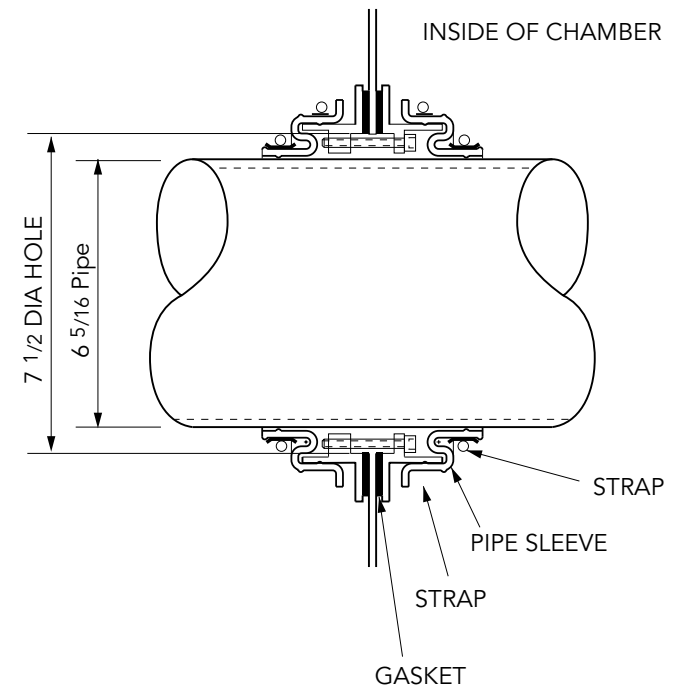
Double sided pipe entry kit to fit 6 5/16" dia. primary pipework.

For reference purposes only. This drawing is not a specification. Order against product code only. To enable continuous improvement of our products, the designs and specifications are subject to change without notice.





ASSEMBLY OF PIPEWORK
6 5/16" O/D



Double sided pipe entry kit to fit 6 5/16" dia. primary pipework.

For reference purposes only. This drawing is not a specification. Order against product code only. To enable continuous improvement of our products, the designs and specifications are subject to change without notice.

