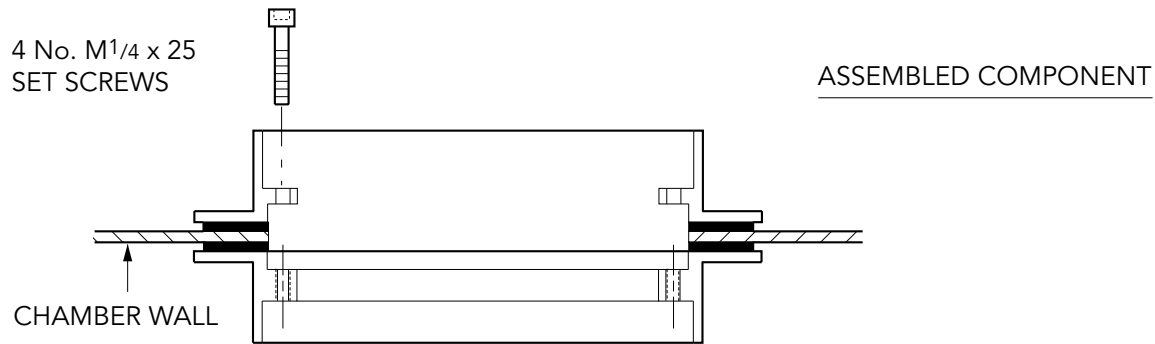


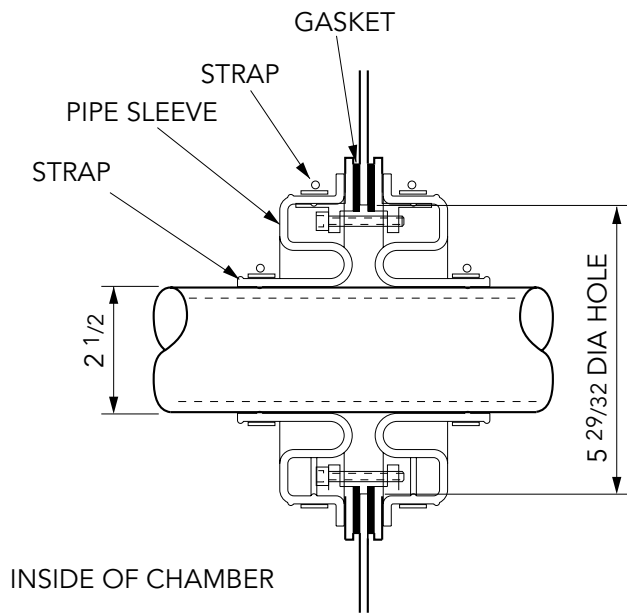
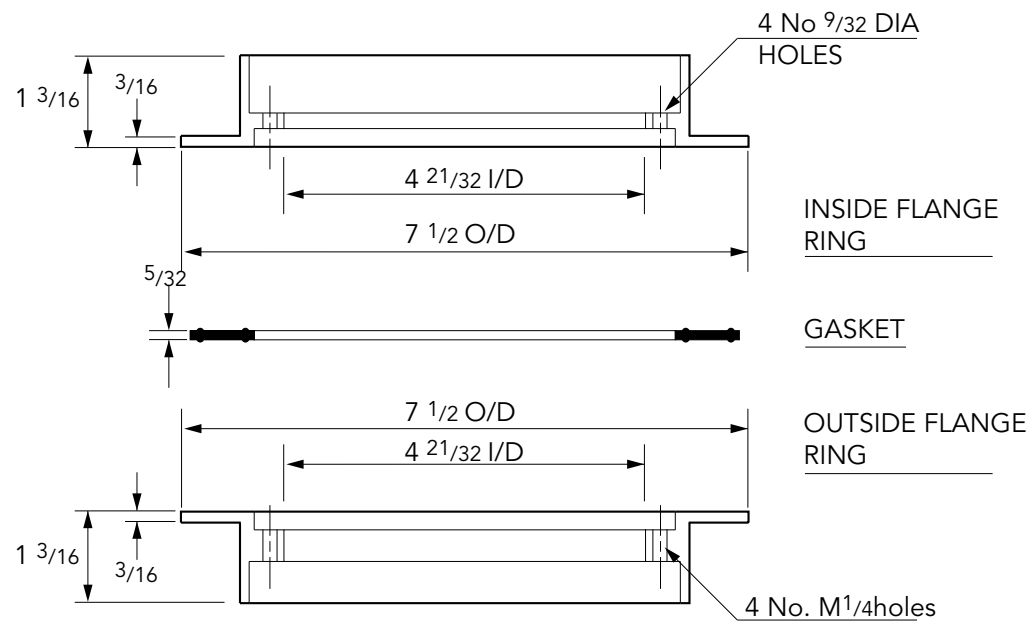
Double sided pipe entry kit to fit 2 1/2" dia. primary pipework

For reference purposes only. This drawing is not a specification. Order against product code only. To enable continuous improvement of our products, the designs and specifications are subject to change without notice.

FIBRELITE 
PART OF OPW A DOVER COMPANY



ASSEMBLY FOR PIPEWORK
SIZES 2 1/2" O/D



Double sided pipe entry kit to fit 2 1/2" dia. primary pipework

For reference purposes only. This drawing is not a specification. Order against product code only. To enable continuous improvement of our products, the designs and specifications are subject to change without notice.

FIBRELITE 
PART OF OPW A DDOVER COMPANY