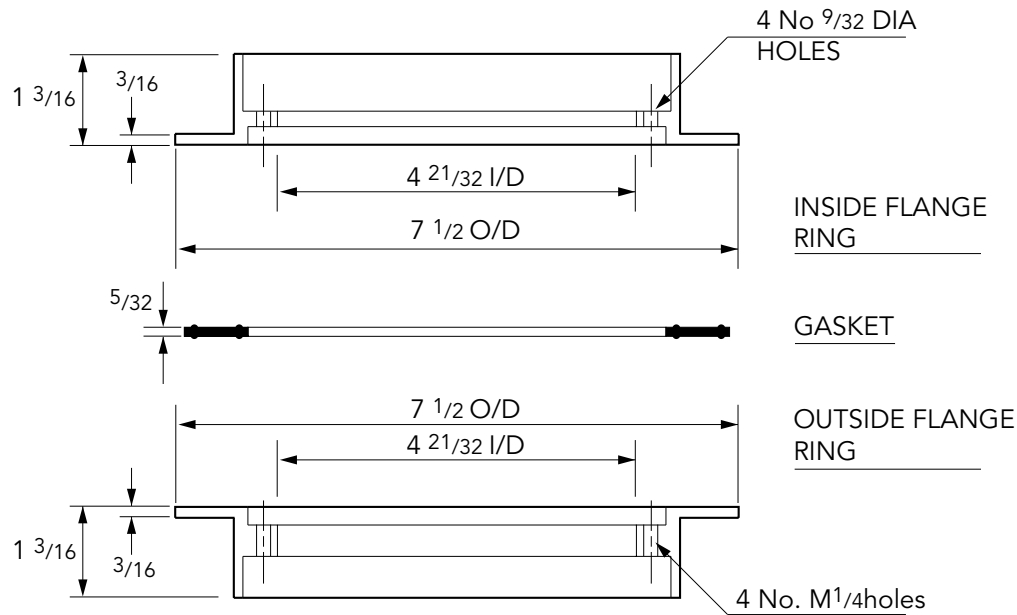
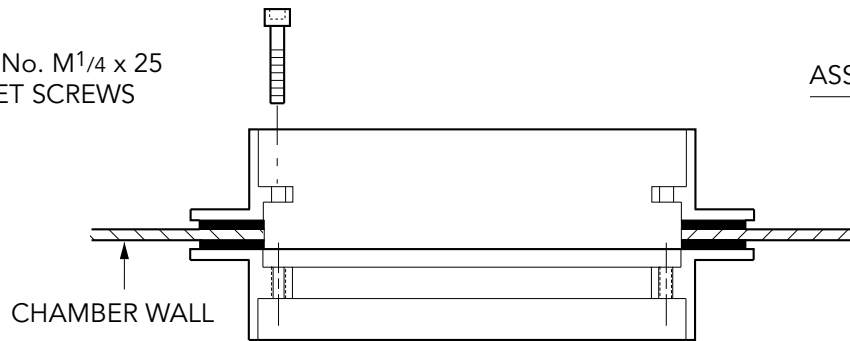


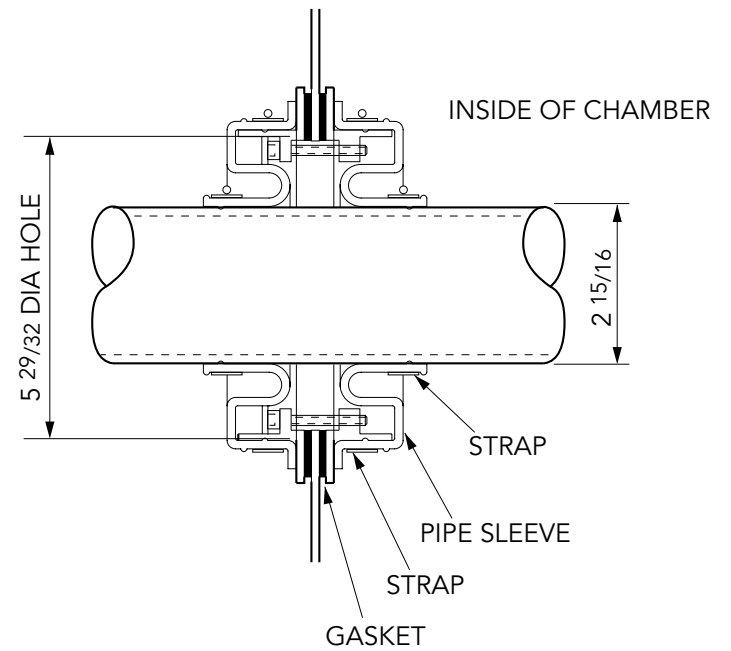


4 No. M<sup>1</sup>/<sub>4</sub> x 25  
SET SCREWS

ASSEMBLED COMPONENT



ASSEMBLY FOR PIPEWORK  
SIZE 2 15/16" O/D



Double sided pipe entry kit to fit 2 15/16" dia. primary pipework.

For reference purposes only. This drawing is not a specification. Order against product code only. To enable continuous improvement of our products, the designs and specifications are subject to change without notice.

