

Double sided pipe entry kit to fit 3 17/32" dia. primary pipework.

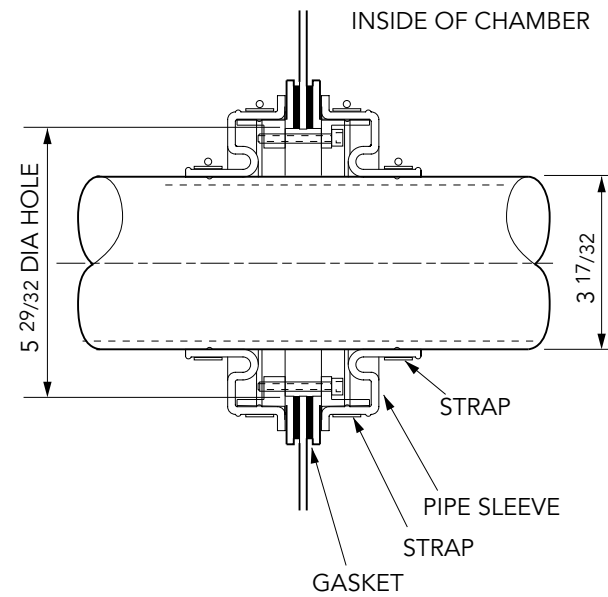
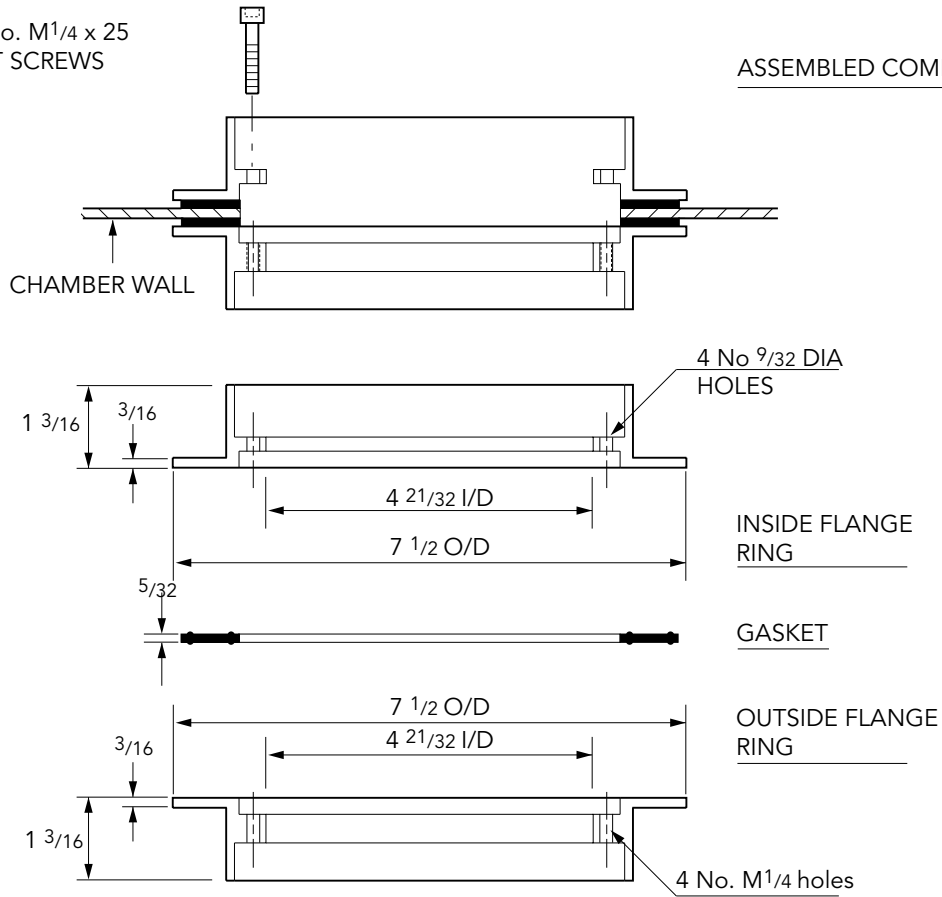
For reference purposes only. This drawing is not a specification. Order against product code only. To enable continuous improvement of our products, the designs and specifications are subject to change without notice.



4 No. M¹/₄ x 25
SET SCREWS

ASSEMBLED COMPONENT

ASSEMBLY FOR PIPEWORK
SIZE 3 17/32" O/D



Double sided pipe entry kit to fit 3 17/32" dia. primary pipework.

For reference purposes only. This drawing is not a specification. Order against product code only. To enable continuous improvement of our products, the designs and specifications are subject to change without notice.

FIBRELITE 
PART OF OPW A DOVER COMPANY