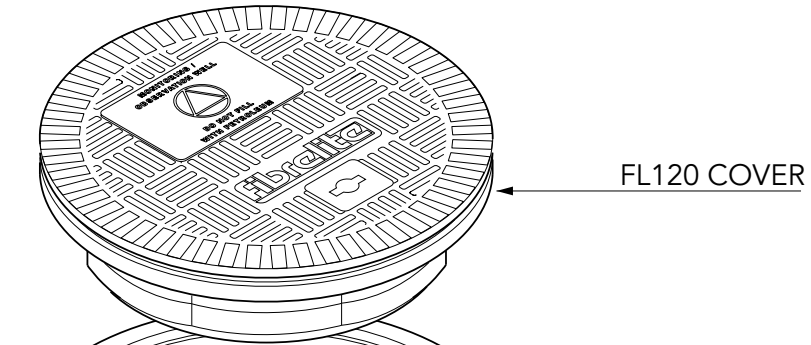


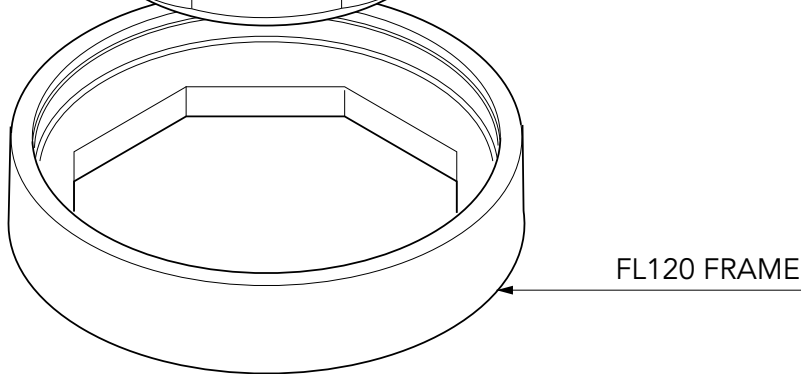
Monitoring Well System. 12" dia. solid base sump with a 12" dia. grey flat sealed monitoring well cover with a black ID warning and frame.

For reference purposes only. This drawing is not a specification. Order against product code only. To enable continuous improvement of our products, the designs and specifications are subject to change without notice.

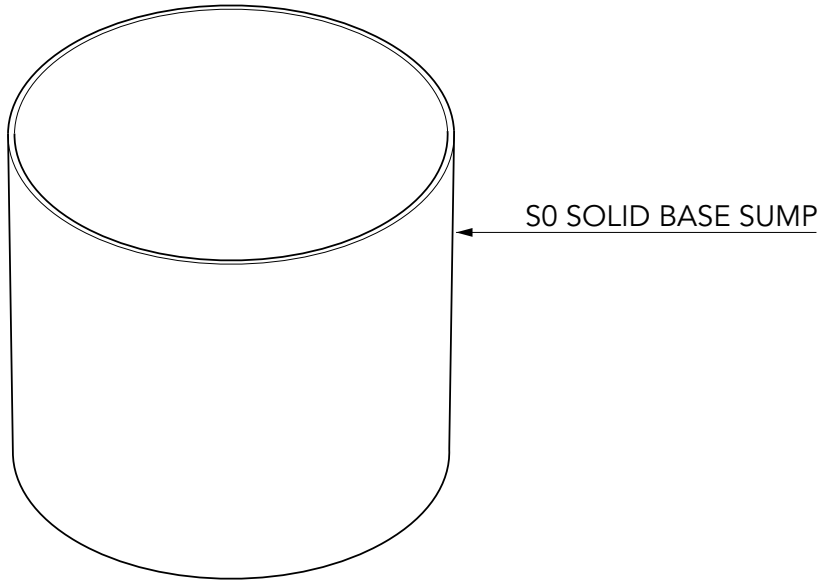
FIBRELITE 
PART OF OPW A DOVER COMPANY



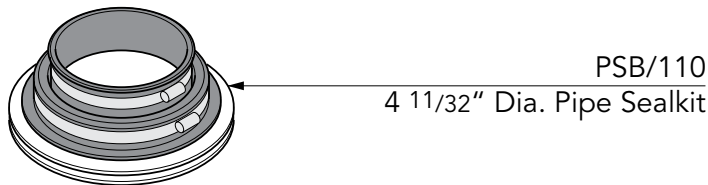
FL120 COVER



FL120 FRAME



S0 SOLID BASE SUMP

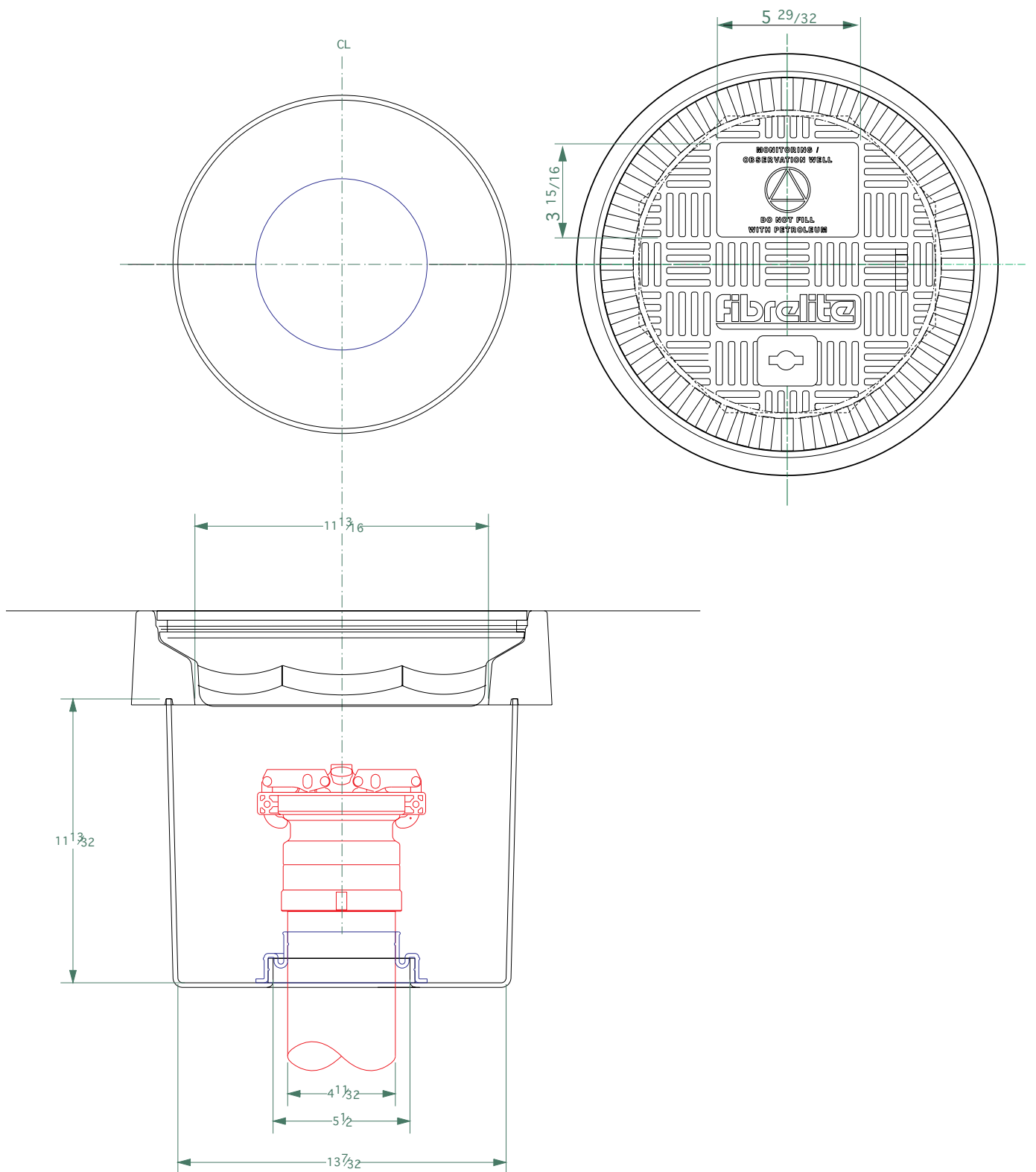


PSB/110
4 11/32" Dia. Pipe Sealkit

Monitoring Well System. 12" dia. solid base sump with a 12" dia. grey flat sealed monitoring well cover with a black ID warning and frame.

For reference purposes only. This drawing is not a specification. Order against product code only. To enable continuous improvement of our products, the designs and specifications are subject to change without notice.





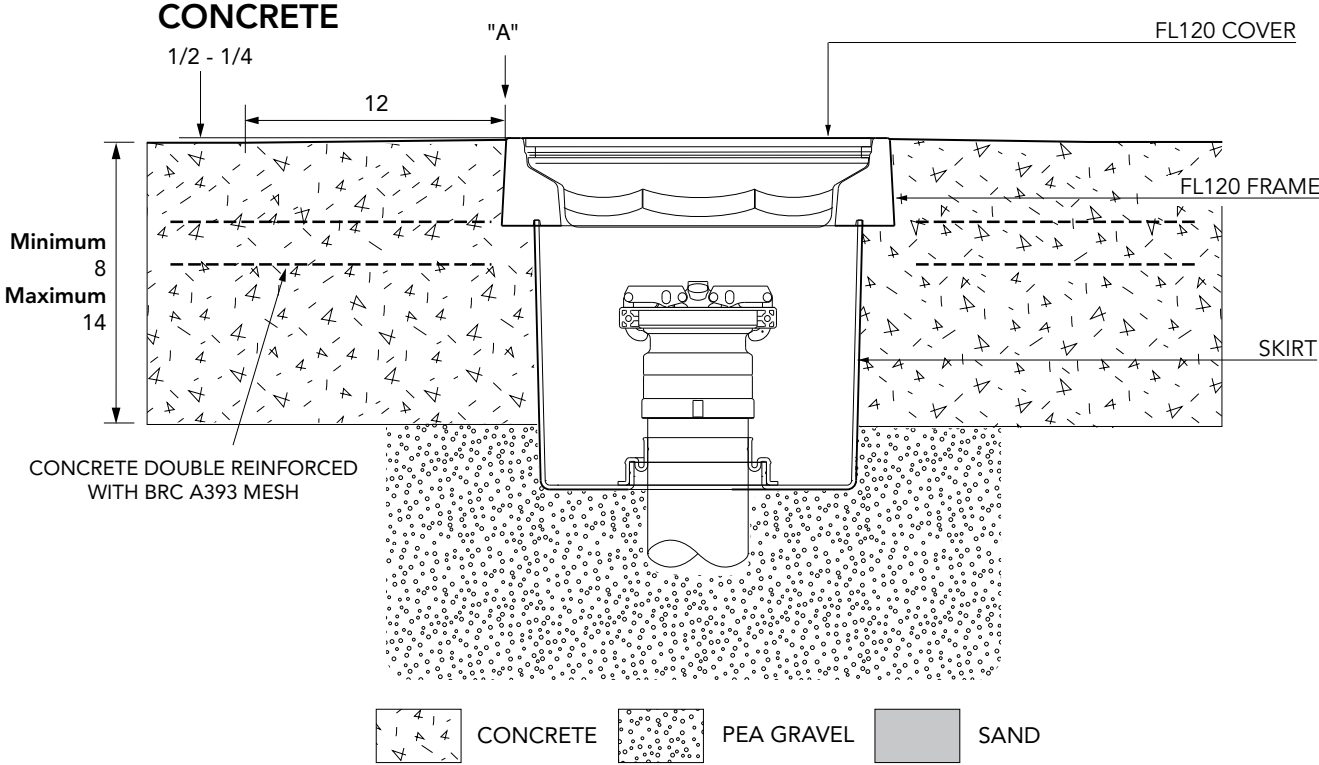
Monitoring Well System. 12" dia. solid base sump with a 12" dia. grey flat sealed monitoring well cover with a black ID warning and frame.

For reference purposes only. This drawing is not a specification. Order against product code only. To enable continuous improvement of our products, the designs and specifications are subject to change without notice.

FIBRELITE 
PART OF OPW A DOVER COMPANY

VERY IMPORTANT
 SET OUTER EDGE 'A' OF
 FRAME 1/2-1/4" ABOVE GENERAL
 FORECOURT AREA RAMPED
 AWAY OVER 12".

TYPICAL INSTALLATION



 CONCRETE
  PEA GRAVEL
  SAND

ALTERNATIVE INSTALLATION ADVICE

