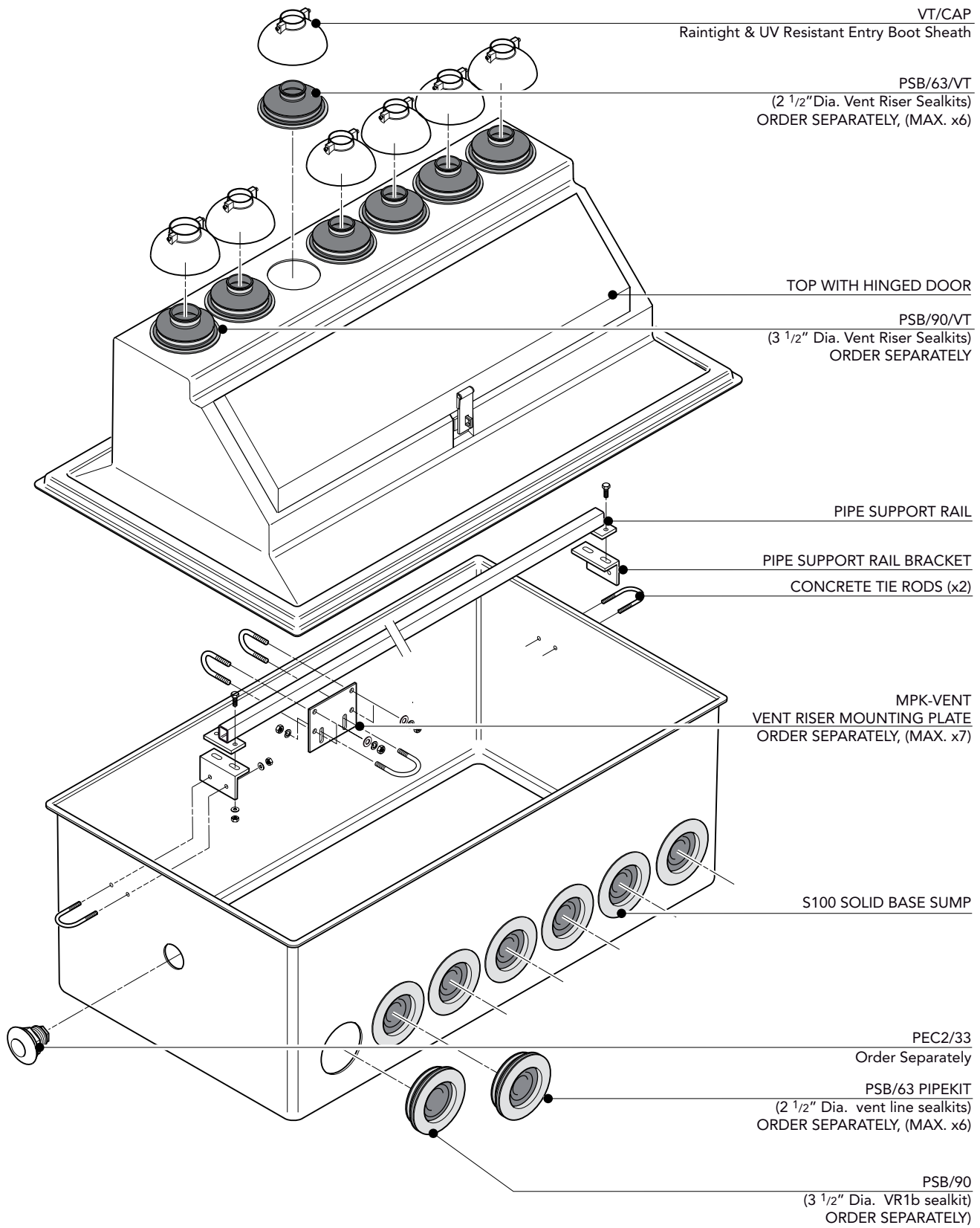


Vent pipe transition sump. 59" x 33" x 19" below ground solid base sump, with 18" high above ground sealed top with lockable hinged door. Includes pipework support rail and fixings. Order pipe entry boots PSB/63, PSB/90 PSB/63/VT, PSB/90/VT & vent riser mounting brackets MPK-VENT separately.

For reference purposes only. This drawing is not a specification. Order against product code only. To enable continuous improvement of our products, the designs and specifications are subject to change without notice.

FIBRELITE 
PART OF OPW A DOVER COMPANY



VT/CAP
Raintight & UV Resistant Entry Boot Sheath

PSB/63/VT
(2 1/2" Dia. Vent Riser Sealkits)
ORDER SEPARATELY, (MAX. x6)

TOP WITH HINGED DOOR

PSB/90/VT
(3 1/2" Dia. Vent Riser Sealkits)
ORDER SEPARATELY

PIPE SUPPORT RAIL

PIPE SUPPORT RAIL BRACKET

CONCRETE TIE RODS (x2)

MPK-VENT
VENT RISER MOUNTING PLATE
ORDER SEPARATELY, (MAX. x7)

S100 SOLID BASE SUMP

PEC2/33
Order Separately

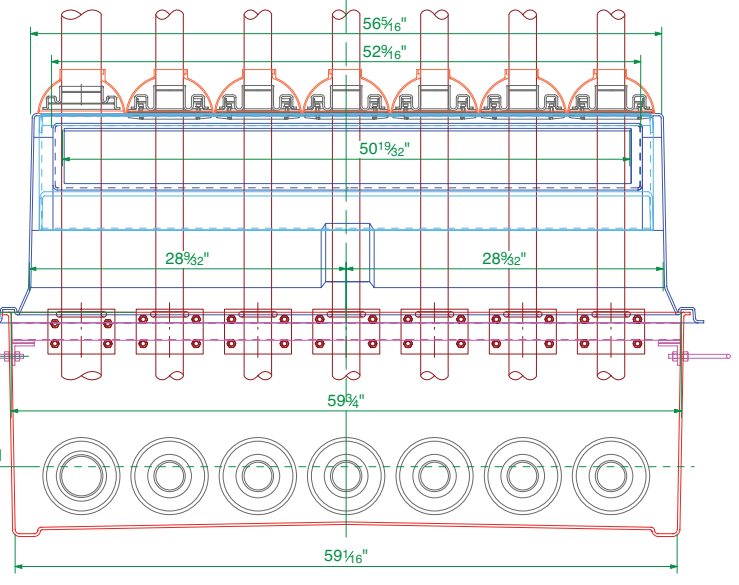
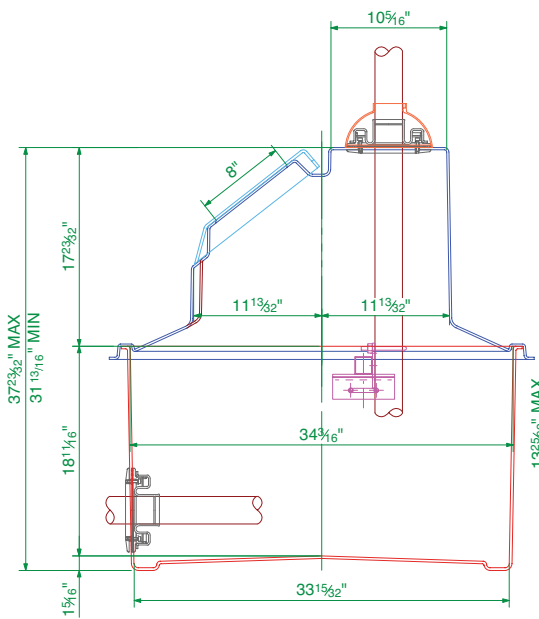
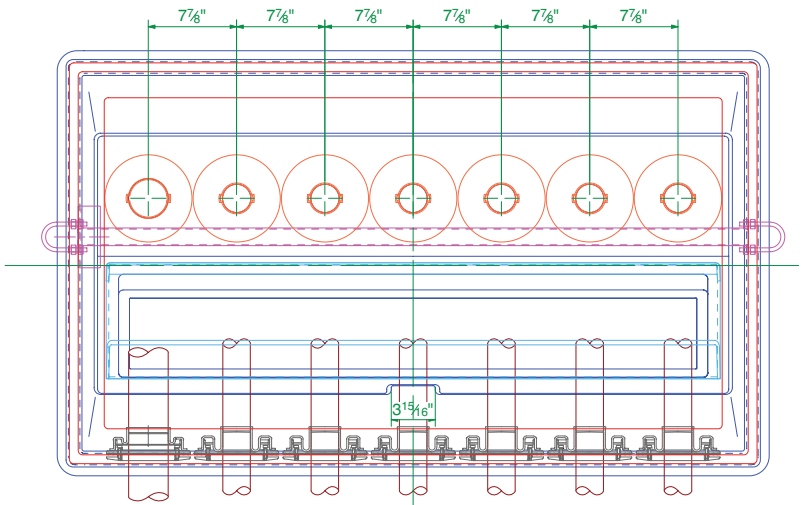
PSB/63 PIPEKIT
(2 1/2" Dia. vent line sealkits)
ORDER SEPARATELY, (MAX. x6)

PSB/90
(3 1/2" Dia. VR1b sealkit)
ORDER SEPARATELY

Vent pipe transition sump. 59" x 33" x 19" below ground solid base sump, with 18" high above ground sealed top with lockable hinged door. Includes pipework support rail and fixings. Order pipe entry boots PSB/63, PSB/90 PSB/63/VT, PSB/90/VT & vent riser mounting brackets MPK-VENT separately.

For reference purposes only. This drawing is not a specification. Order against product code only. To enable continuous improvement of our products, the designs and specifications are subject to change without notice.





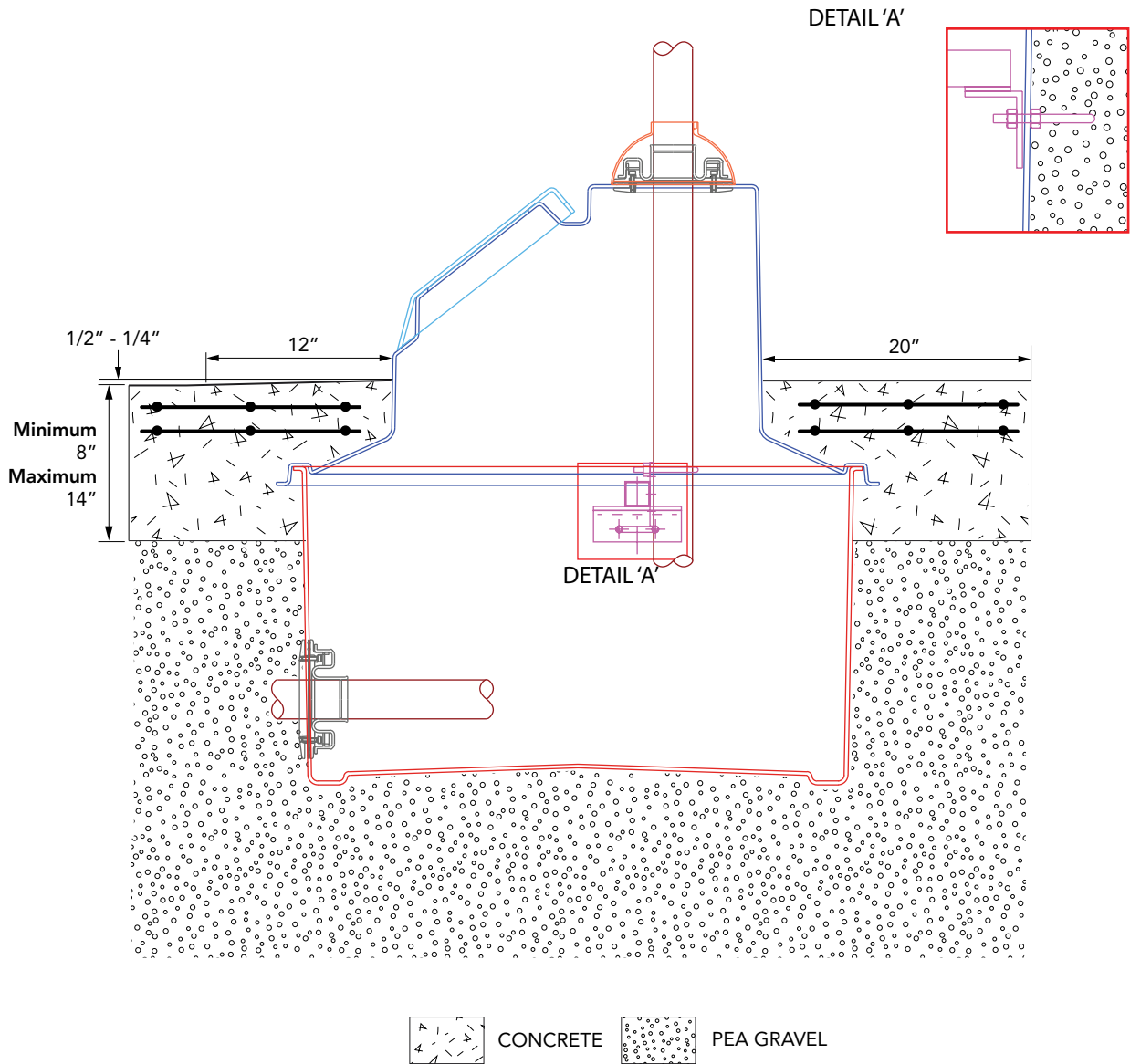
Vent pipe transition sump. 59" x 33" x 19" below ground solid base sump, with 18" high above ground sealed top with lockable hinged door. Includes pipework support rail and fixings. Order pipe entry boots PSB/63, PSB/90 PSB/63/VT, PSB/90/VT & vent riser mounting brackets MPK-VENT separately.

For reference purposes only. This drawing is not a specification. Order against product code only. To enable continuous improvement of our products, the designs and specifications are subject to change without notice.



TYPICAL INSTALLATION

CONCRETE



Vent pipe transition sump. 59" x 33" x 19" below ground solid base sump, with 18" high above ground sealed top with lockable hinged door. Includes pipework support rail and fixings. Order pipe entry boots PSB/63, PSB/90 PSB/63/VT, PSB/90/VT & vent riser mounting brackets MPK-VENT separately.

For reference purposes only. This drawing is not a specification. Order against product code only. To enable continuous improvement of our products, the designs and specifications are subject to change without notice.

