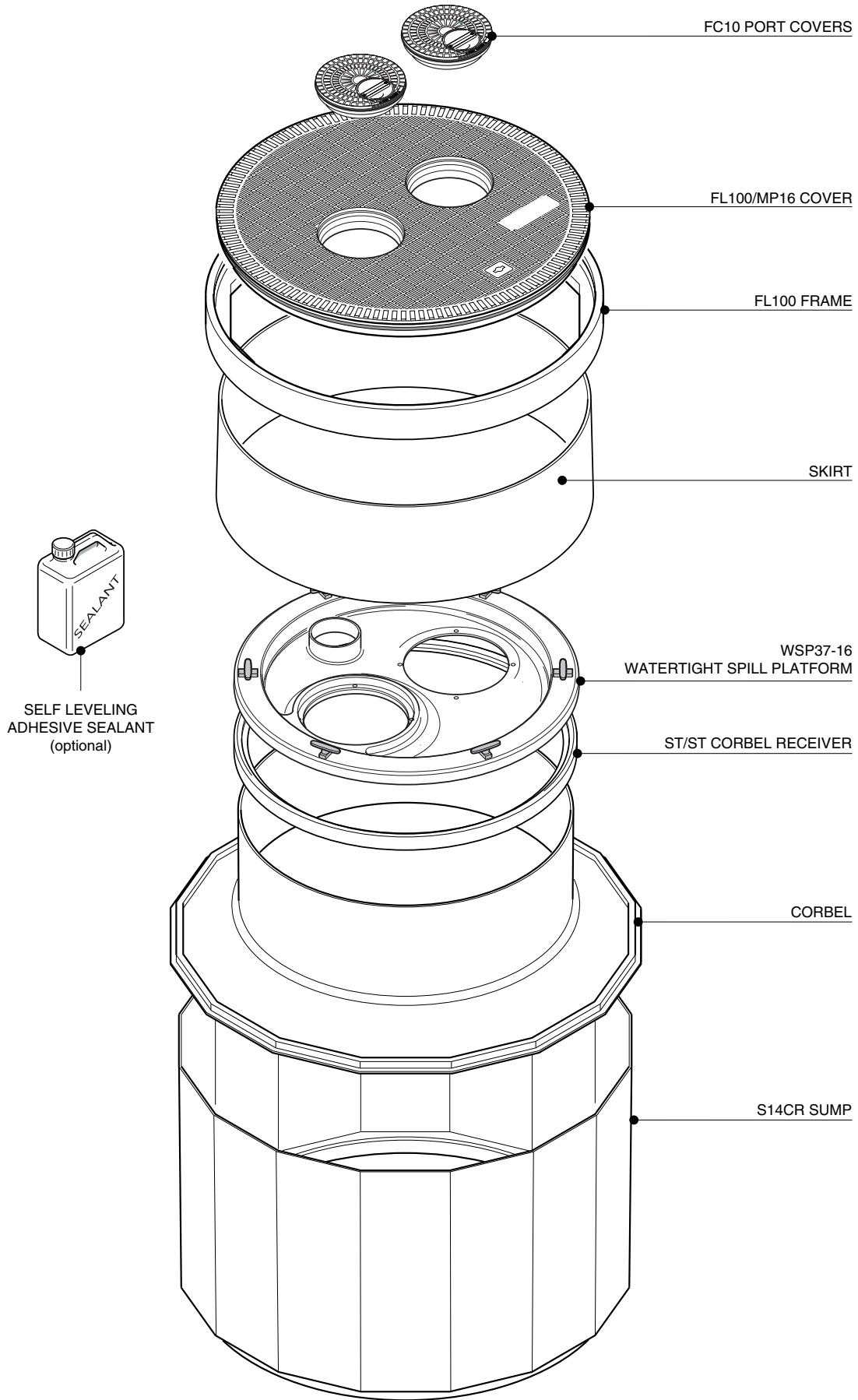


1.4m diameter sump with collar ring base, corbel, skirt, spill container, round 1020mm flat sealed multiport cover with two port covers and frame.

For reference purposes only. This drawing is not a specification. Order against product code only. To enable continuous improvement of our products, the designs and specifications are subject to change without notice.

**FIBRELITE**   
PART OF OPW A  COMPANY



1.4m diameter sump with collar ring base, corbel, skirt, spill container, round 1020mm flat sealed multiport cover with two port covers and frame.

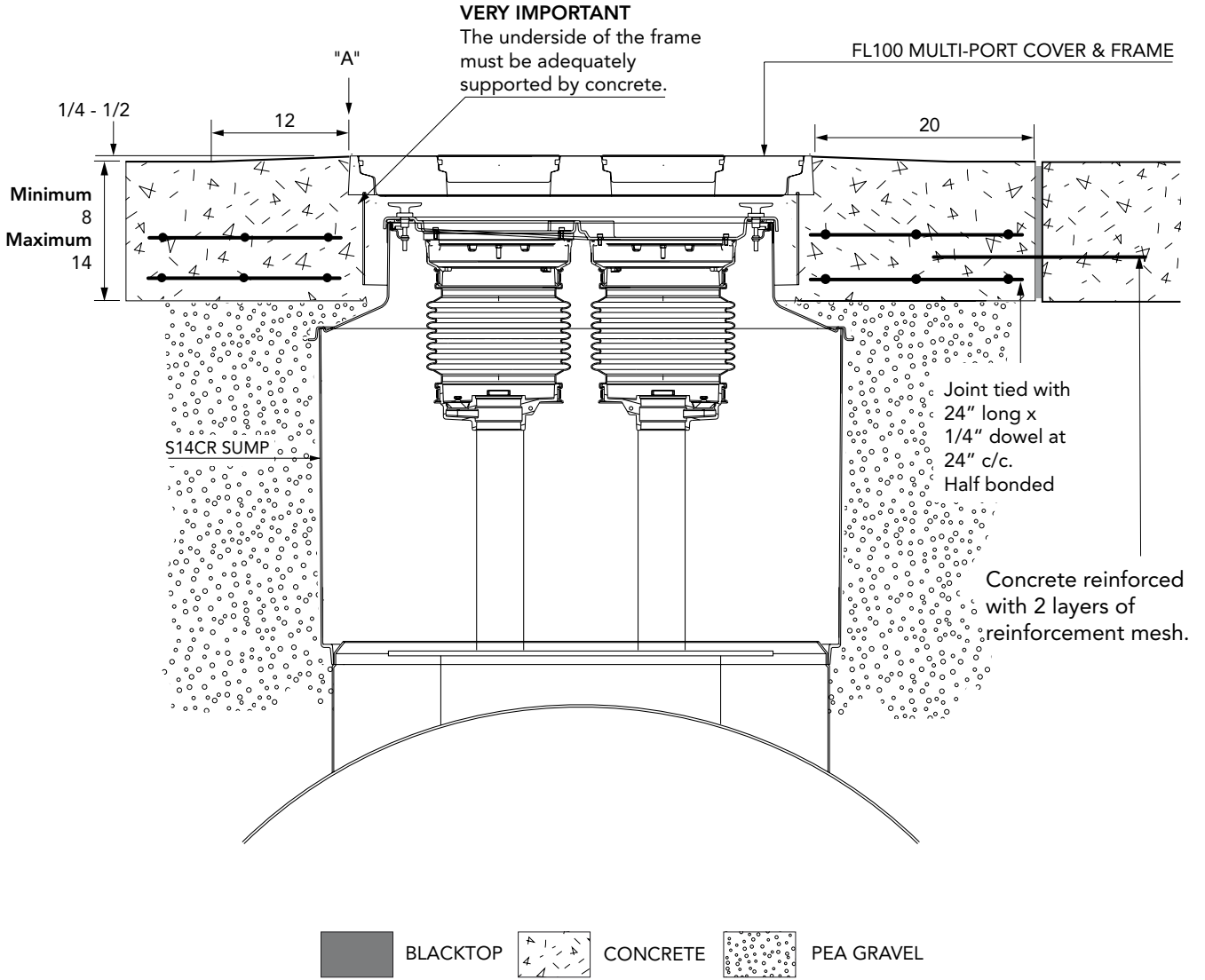
For reference purposes only. This drawing is not a specification. Order against product code only. To enable continuous improvement of our products, the designs and specifications are subject to change without notice.

**FIBRELITE**   
PART OF OPW A DOWDER COMPANY



**TYPICAL INSTALLATION**

**CONCRETE**



**VERY IMPORTANT**  
OUTER EDGE "A" OF FRAME SET 1/4 - 1/2" ABOVE GENERAL GRADE AREA WITH CONCRETE RAMPED AWAY OVER 12".