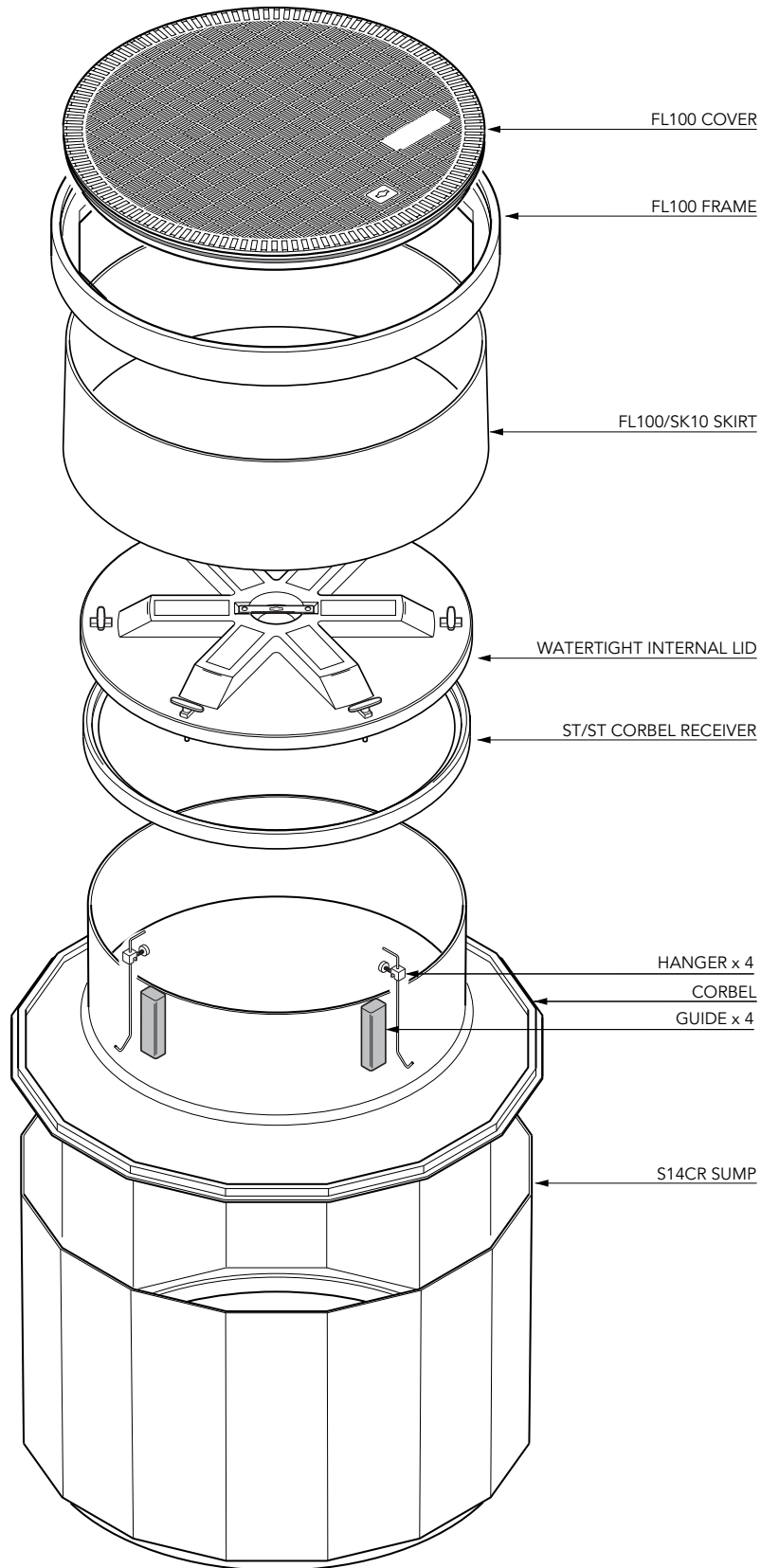


52" diameter sump to fit 48" tank collar, corbel, watertight internal lid and 40" flat sealed cover, frame and skirt.

For reference purposes only. This drawing is not a specification. Order against product code only. To enable continuous improvement of our products, the designs and specifications are subject to change without notice.

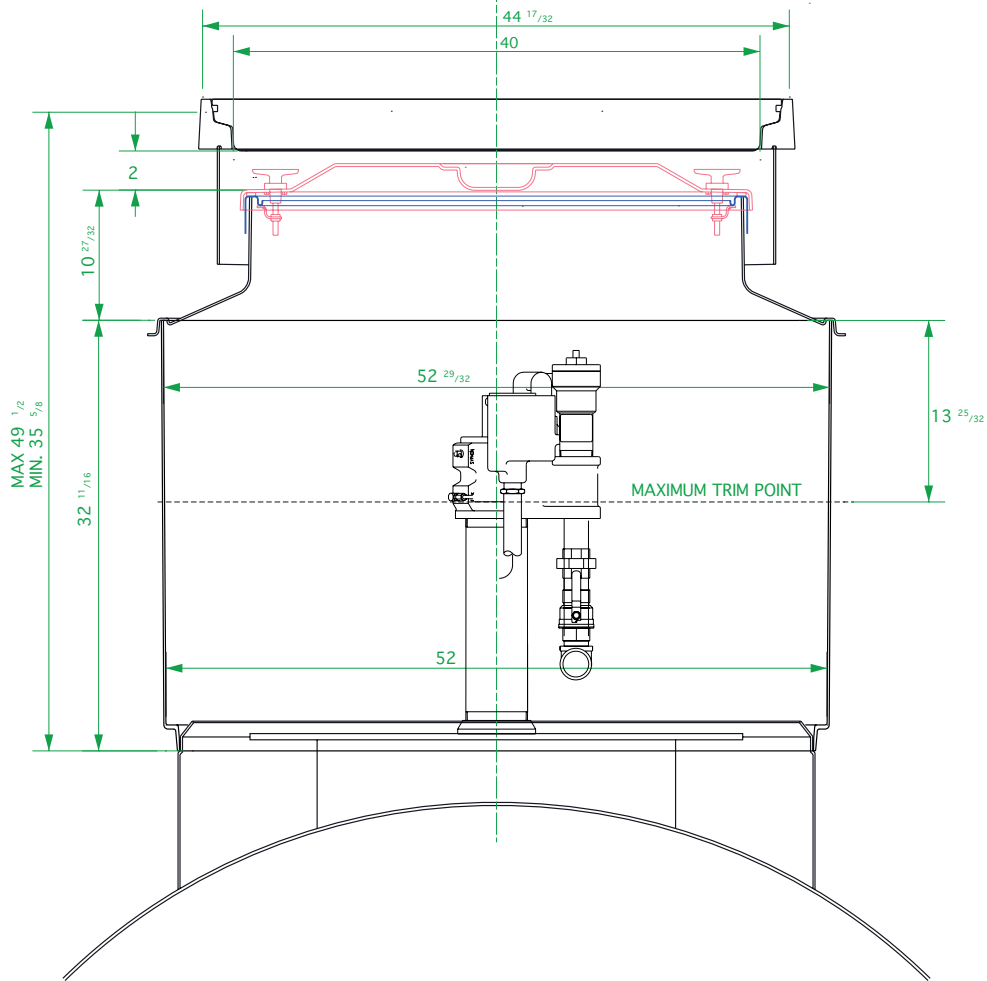
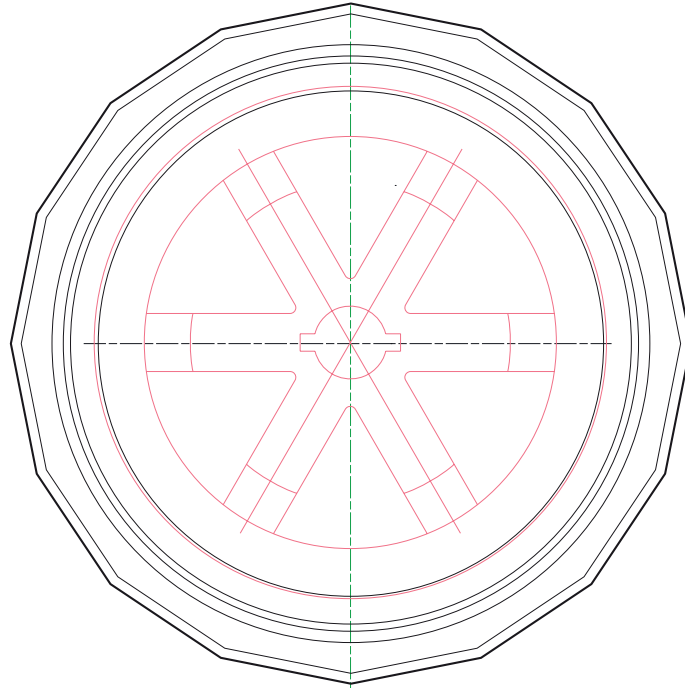
FIBRELITE 
PART OF OPW A DOVER COMPANY



52" diameter sump to fit 48" tank collar, corbel, watertight internal lid and 40" flat sealed cover, frame and skirt.

For reference purposes only. This drawing is not a specification. Order against product code only. To enable continuous improvement of our products, the designs and specifications are subject to change without notice.

FIBRELITE 
 PART OF OPW A DOVER COMPANY



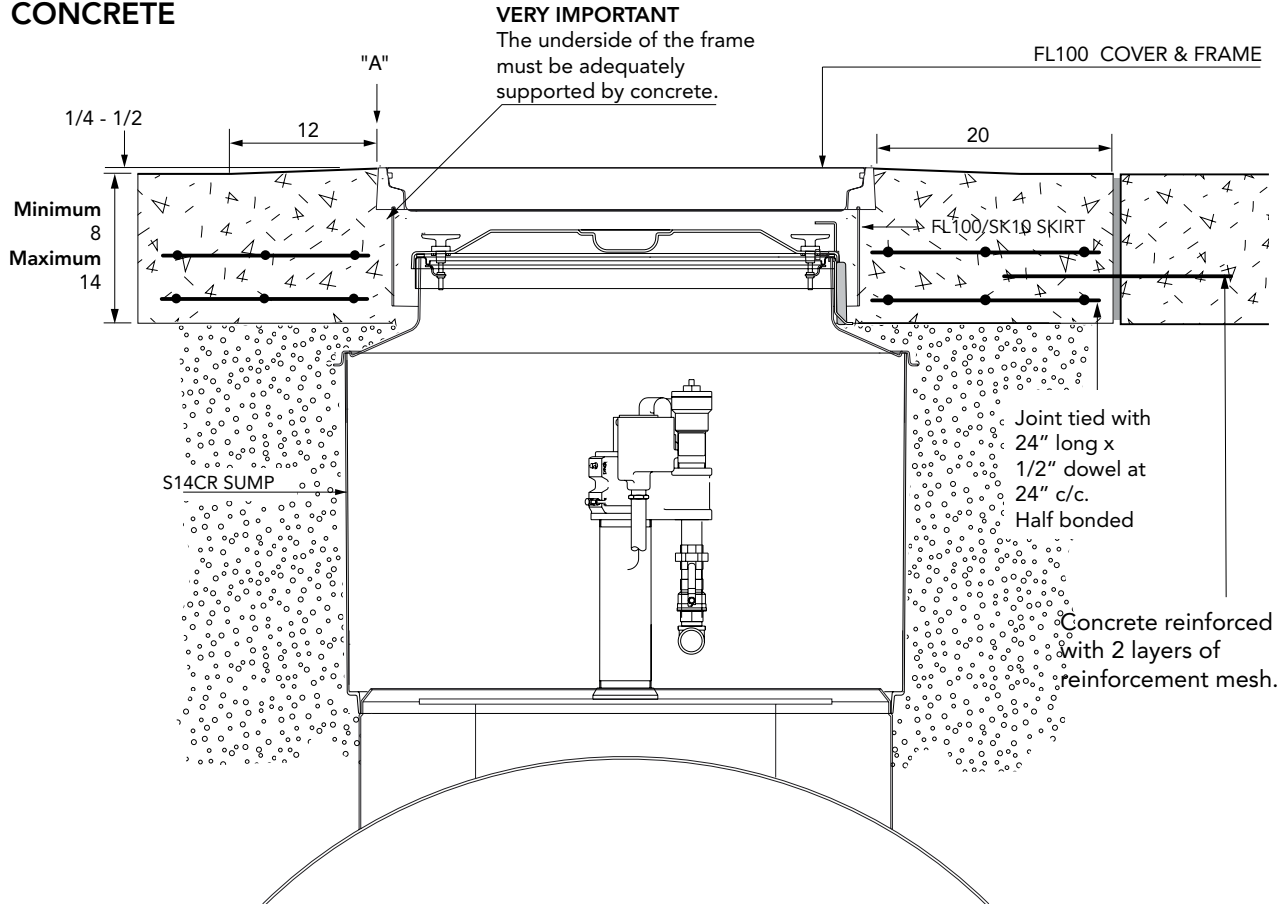
52" diameter sump to fit 48" tank collar, corbel, watertight internal lid and 40" flat sealed cover, frame and skirt.

For reference purposes only. This drawing is not a specification. Order against product code only. To enable continuous improvement of our products, the designs and specifications are subject to change without notice.

FIBRELITE 
PART OF OPW A DOVER COMPANY

TYPICAL INSTALLATION

CONCRETE



VERY IMPORTANT
The underside of the frame must be adequately supported by concrete.

FL100 COVER & FRAME

1/4 - 1/2
Minimum 8
Maximum 14

"A"

12

20

FL100/SK10 SKIRT

S14CR SUMP

Joint tied with
24" long x
1/2" dowel at
24" c/c.
Half bonded

Concrete reinforced
with 2 layers of
reinforcement mesh.

BLACKTOP CONCRETE PEA GRAVEL

VERY IMPORTANT
OUTER EDGE "A" OF FRAME SET 1/4 - 1/2"
ABOVE GENERAL GRADE AREA WITH
CONCRETE RAMPED AWAY OVER 12".