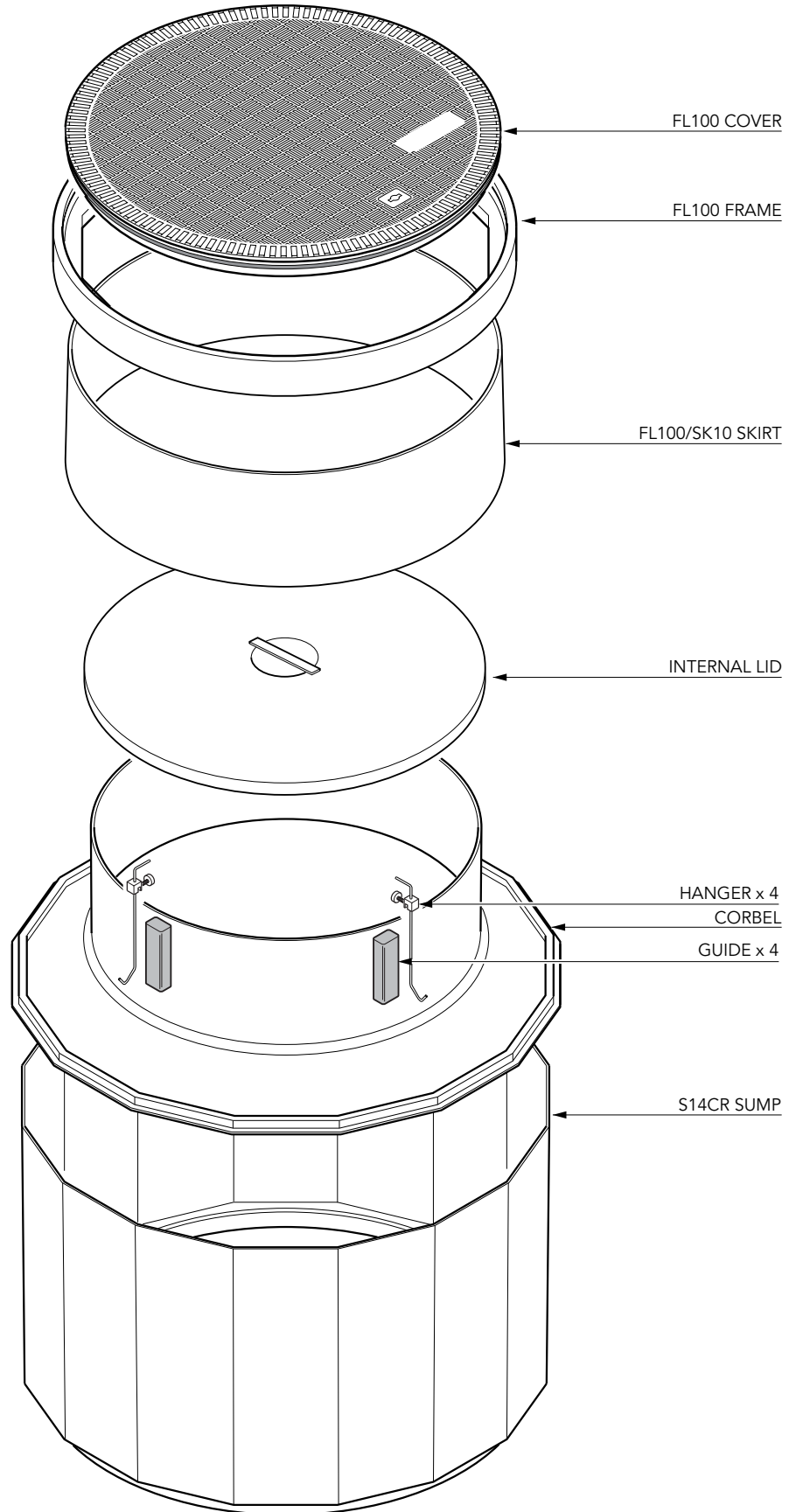


52" diameter sump to fit 48" tank collar, corbel, internal lid and 40" flat sealed cover, frame and skirt.

For reference purposes only. This drawing is not a specification. Order against product code only. To enable continuous improvement of our products, the designs and specifications are subject to change without notice.

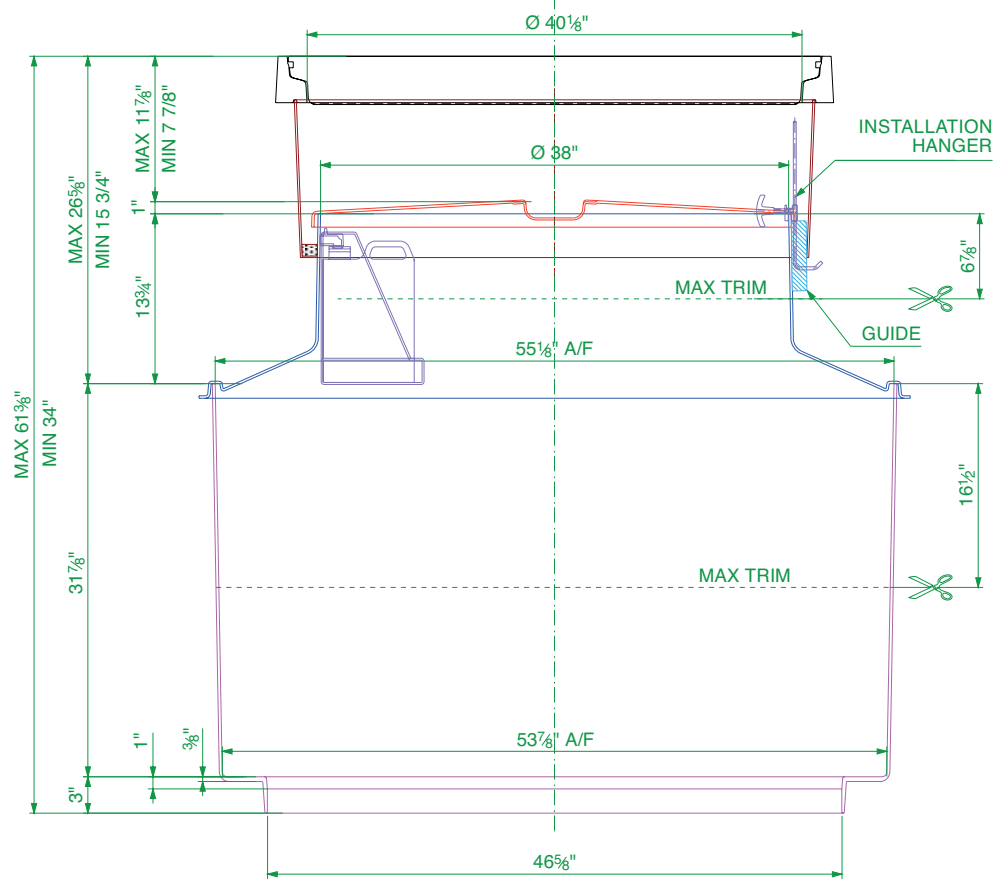
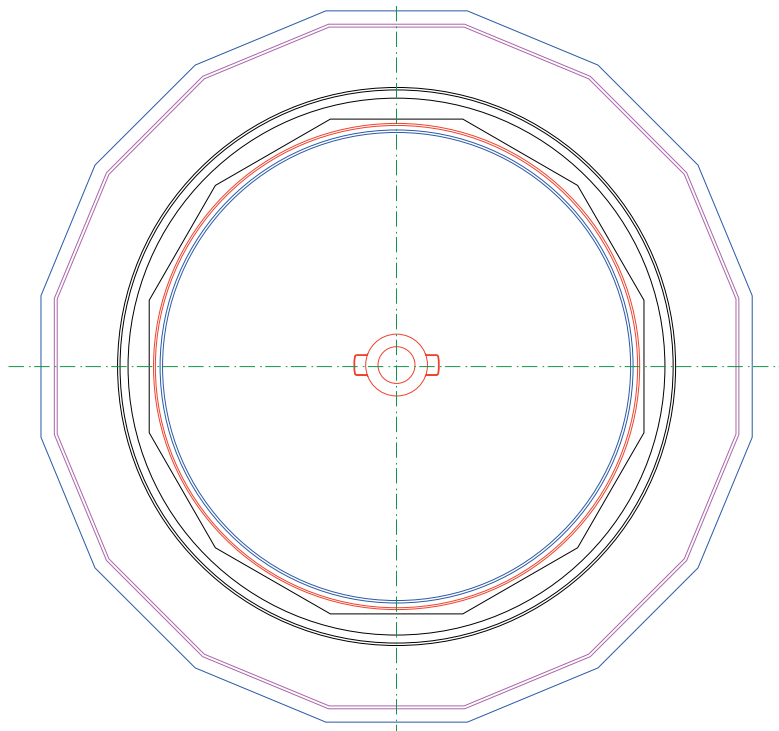
**FIBRELITE**   
PART OF OPW A DOVER COMPANY



52" diameter sump to fit 48" tank collar, corbel, internal lid and 40" flat sealed cover, frame and skirt.

For reference purposes only. This drawing is not a specification. Order against product code only. To enable continuous improvement of our products, the designs and specifications are subject to change without notice.

**FIBRELITE**   
PART OF OPW A DOVER COMPANY



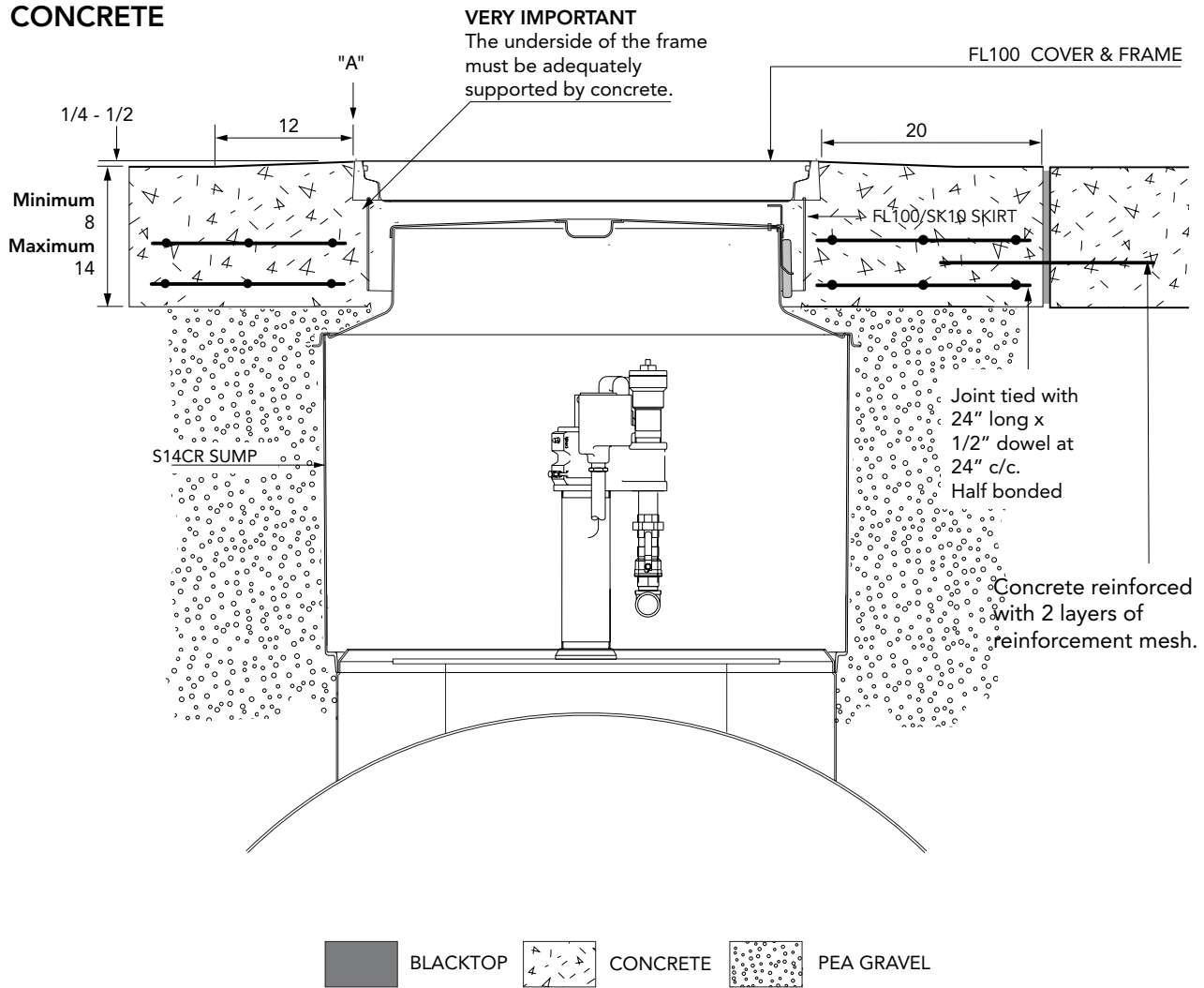
52" diameter sump to fit 48" tank collar, corbel, internal lid and 40" flat sealed cover, frame and skirt.

For reference purposes only. This drawing is not a specification. Order against product code only. To enable continuous improvement of our products, the designs and specifications are subject to change without notice.



**TYPICAL INSTALLATION**

**CONCRETE**



**VERY IMPORTANT**  
OUTER EDGE "A" OF FRAME SET 1/4 - 1/2"  
ABOVE GENERAL GRADE AREA WITH  
CONCRETE RAMPED AWAY OVER 12".