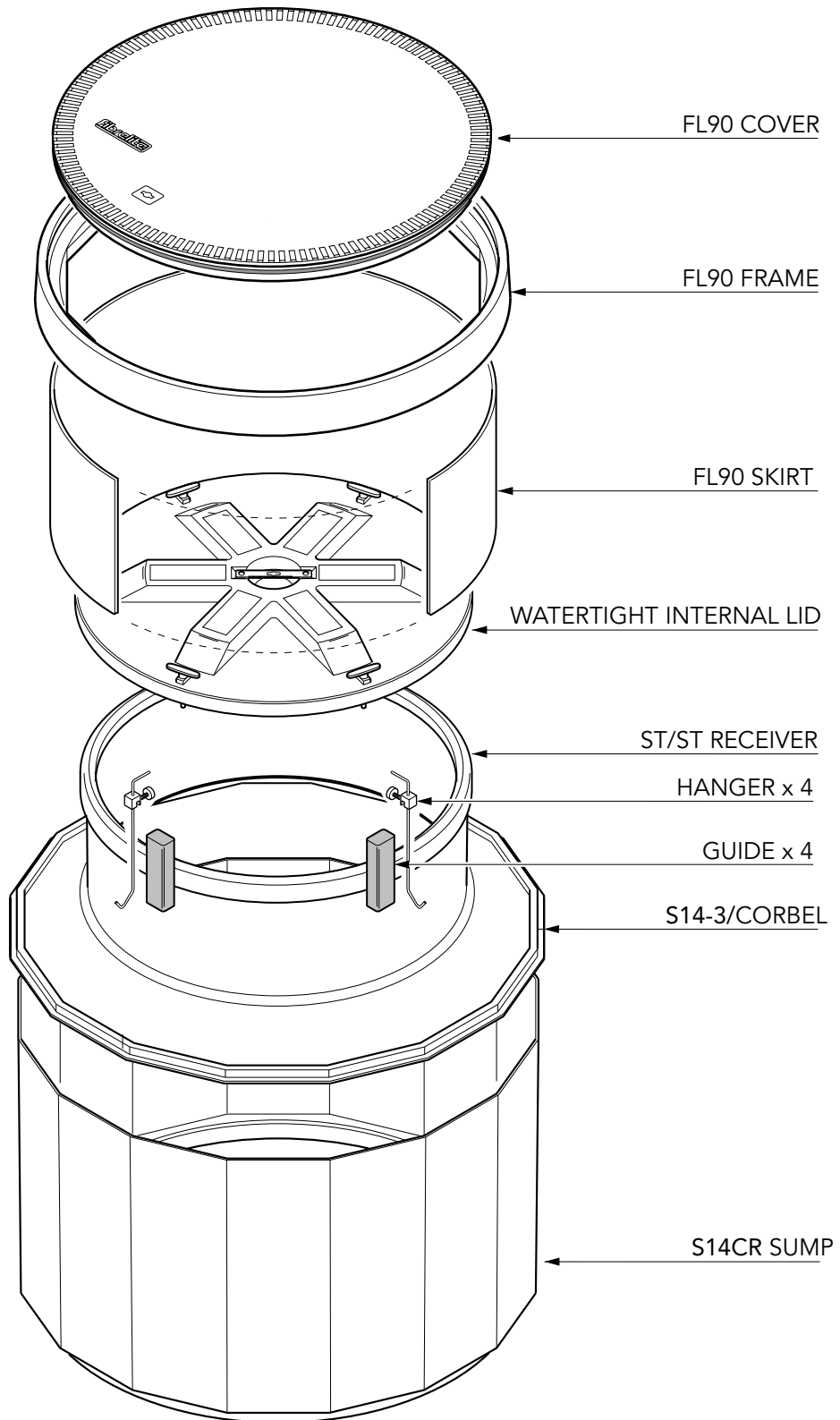


Watertight FRP sump to fit 48" tank collar, FRP corbel, watertight inner sump lid and 36" diameter, watertight, flat sealed manhole cover.

For reference purposes only. This drawing is not a specification. Order against product code only. To enable continuous improvement of our products, the designs and specifications are subject to change without notice.

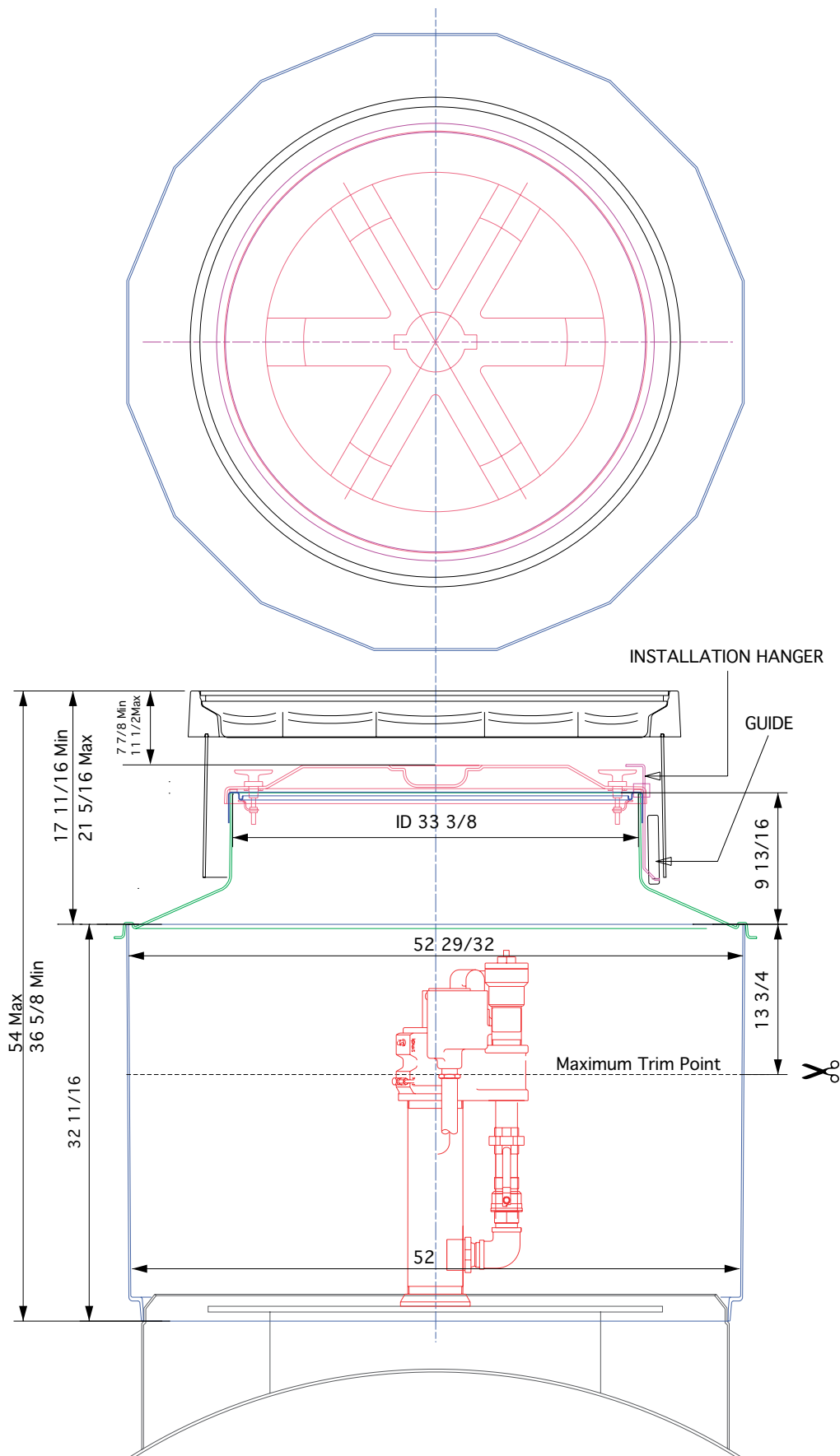
FIBRELITE 
PART OF OPW A DOVER COMPANY



Watertight FRP sump to fit 48" tank collar, FRP corbel, watertight inner sump lid and 36" diameter, watertight, flat sealed manhole cover.

For reference purposes only. This drawing is not a specification. Order against product code only. To enable continuous improvement of our products, the designs and specifications are subject to change without notice.

FIBRELITE 
PART OF OPW A DOVER COMPANY



Watertight FRP sump to fit 48" tank collar, FRP corbel, watertight inner sump lid and 36" diameter, watertight, flat sealed manhole cover.

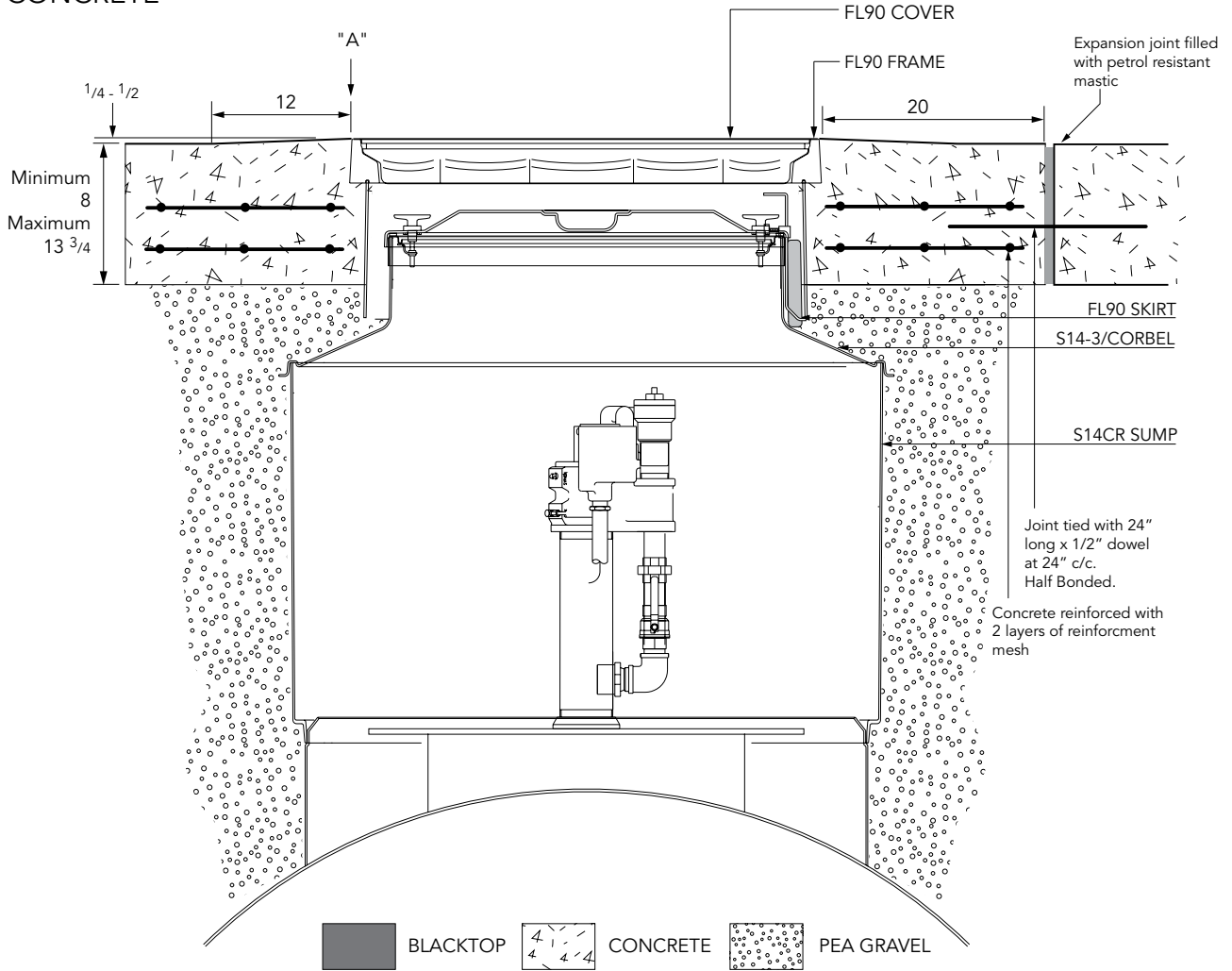
For reference purposes only. This drawing is not a specification. Order against product code only. To enable continuous improvement of our products, the designs and specifications are subject to change without notice.

FIBRELITE 
PART OF OPW A DOVER COMPANY

VERY IMPORTANT
 OUTER EDGE "A" OF FRAME SET $1/4 - 1/2$ "
 ABOVE GENERAL GRADE AREA WITH
 CONCRETE RAMPED AWAY OVER 12".

TYPICAL INSTALLATION

CONCRETE



ALTERNATIVE INSTALLATION ADVICE

BLACKTOP

