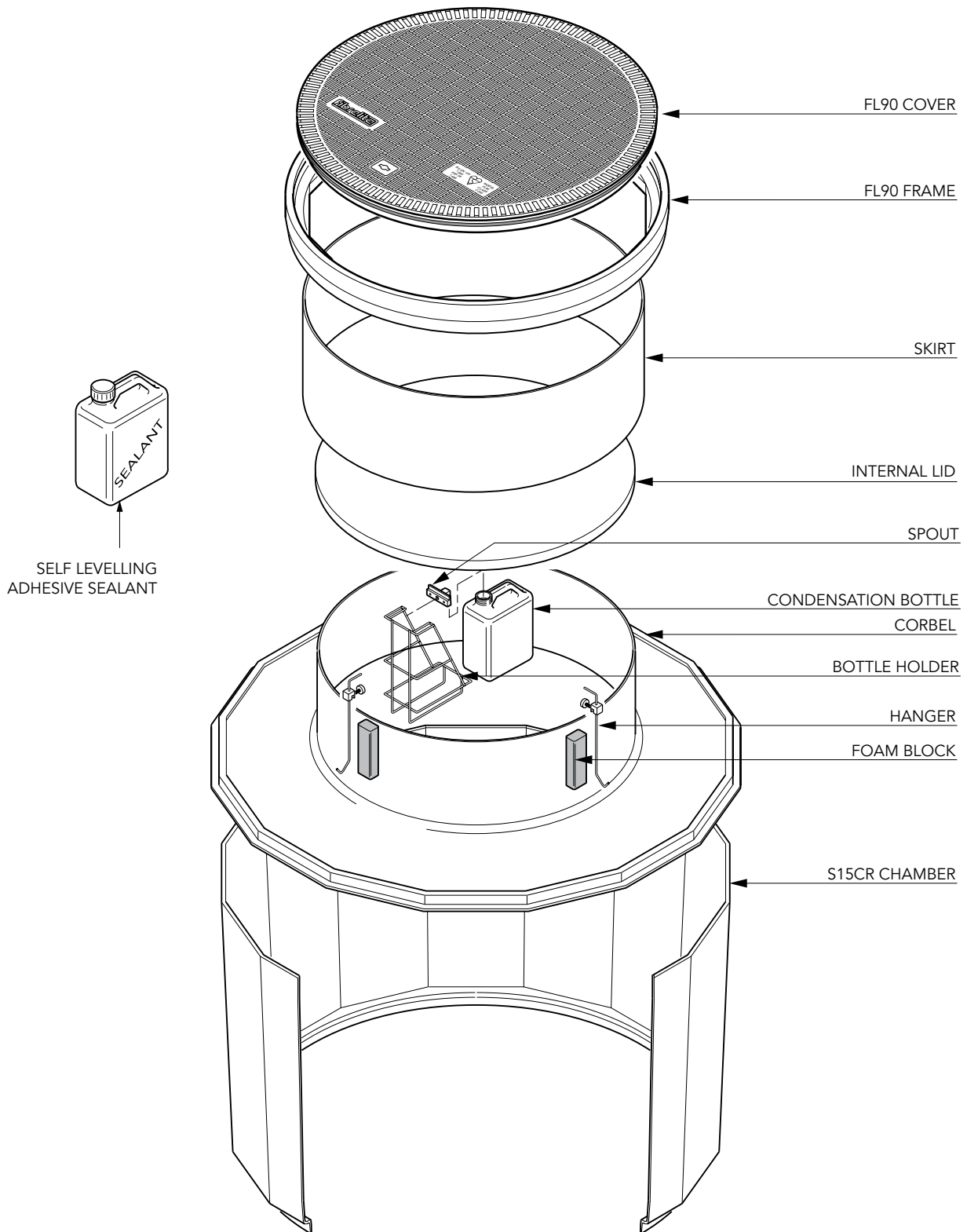


57" dia. FRP sump with 54" tank collar ring connection, corbel, skirt, internal lid, 36" dia. flat sealed cover and composite frame.

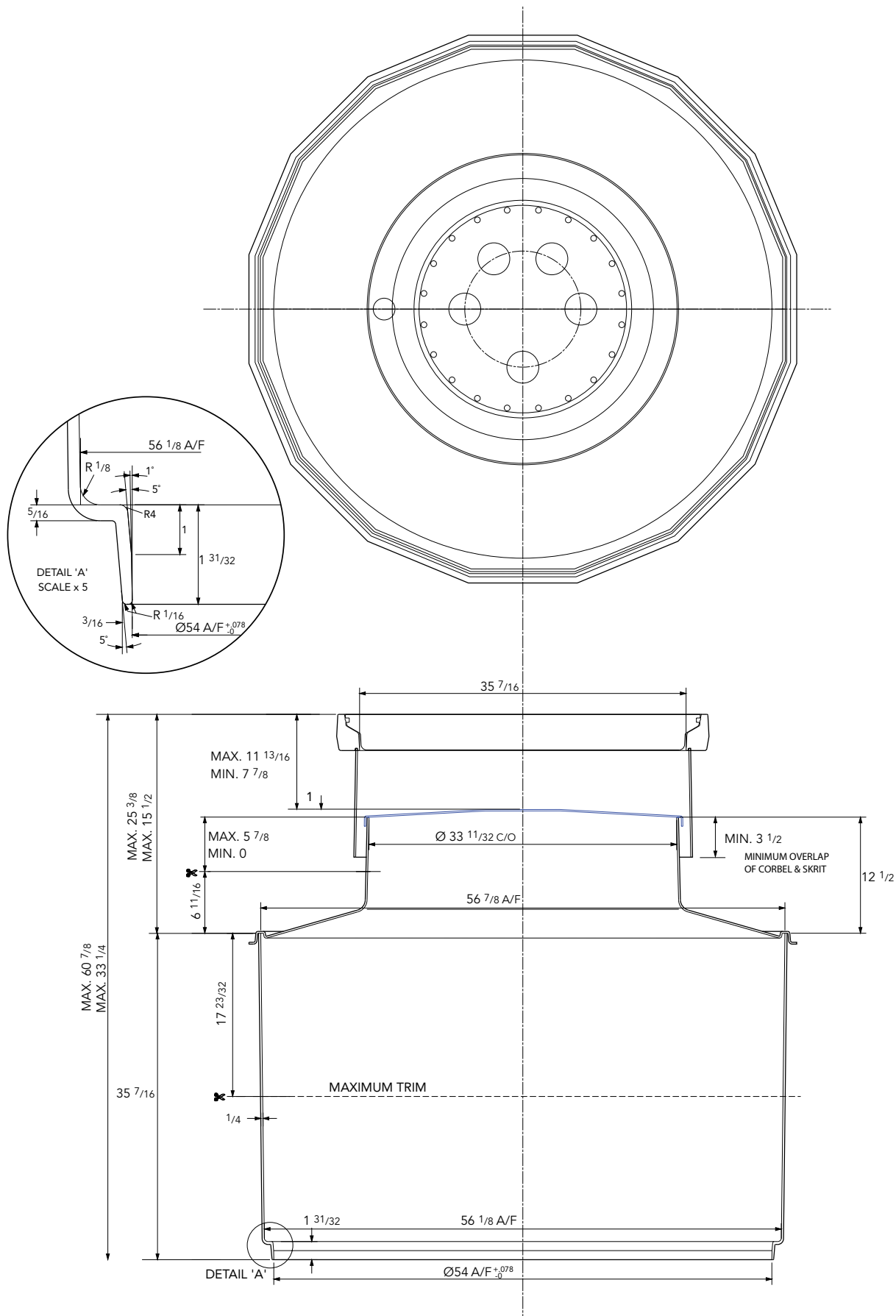
For reference purposes only. This drawing is not a specification. Order against product code only. To enable continuous improvement of our products, the designs and specifications are subject to change without notice.



57" dia. FRP sump with 54" tank collar ring connection, corbel, skirt, internal lid, 36" dia. flat sealed cover and composite frame.

For reference purposes only. This drawing is not a specification. Order against product code only. To enable continuous improvement of our products, the designs and specifications are subject to change without notice.

FIBRELITE 
PART OF OPW A DOWDER COMPANY



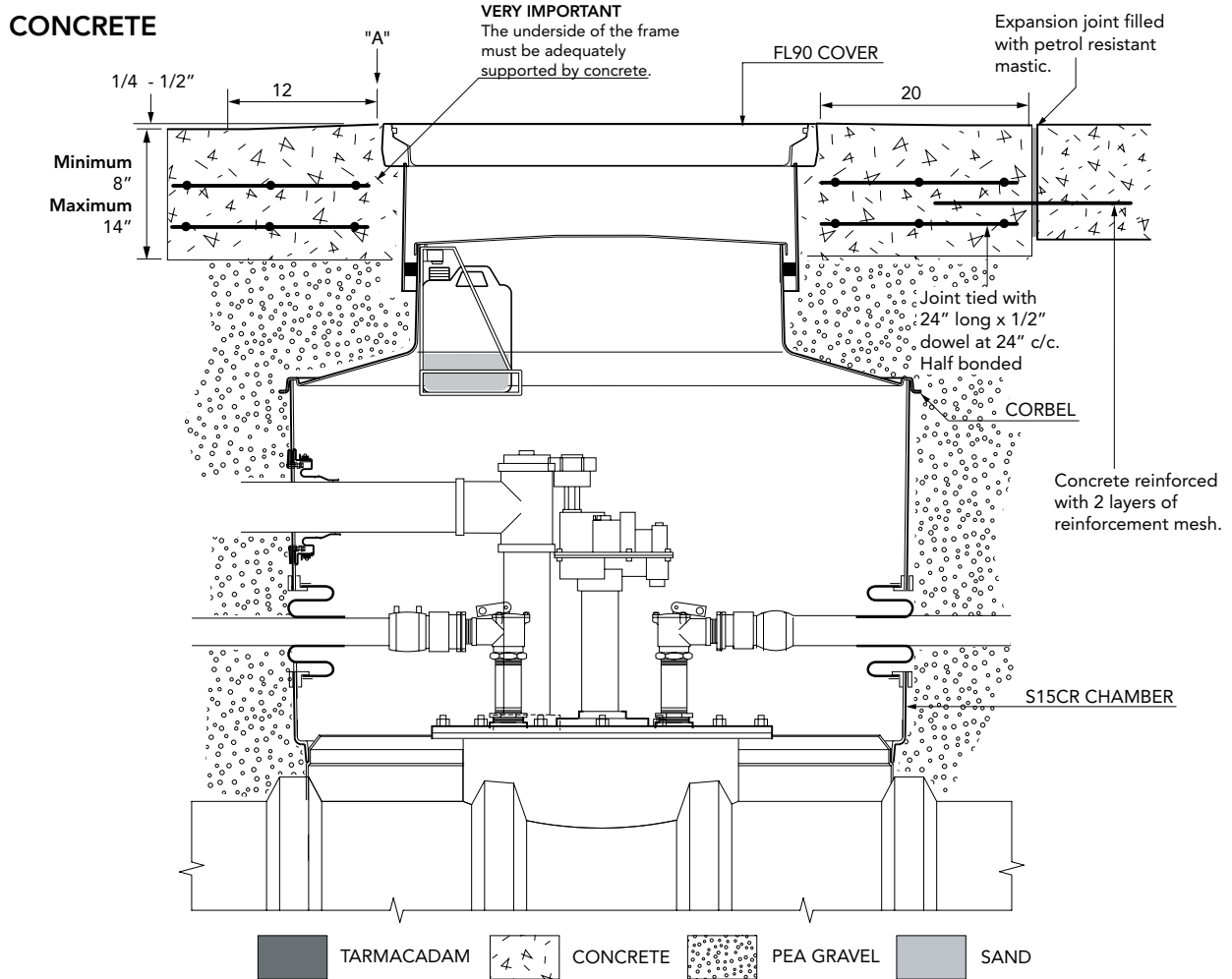
57" dia. FRP sump with 54" tank collar ring connection, corbel, skirt, internal lid, 36" dia. flat sealed cover and composite frame.

For reference purposes only. This drawing is not a specification. Order against product code only. To enable continuous improvement of our products, the designs and specifications are subject to change without notice.

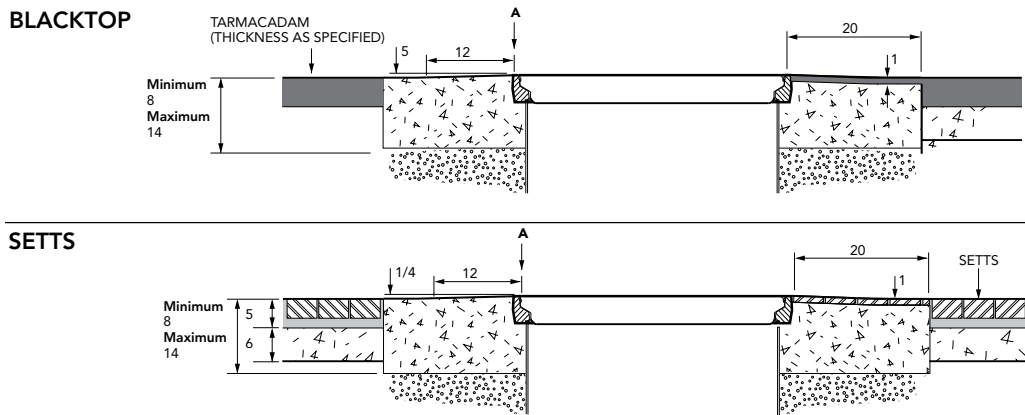
FIBRELITE 
PART OF OPW A DOWDER COMPANY

VERY IMPORTANT
 OUTER EDGE "A" OF FRAME SET 1/4 - 1/2" ABOVE GENERAL GRADE AREA WITH CONCRETE RAMPED AWAY OVER 12".

TYPICAL INSTALLATION



ALTERNATIVE INSTALLATION ADVICE



57" dia. FRP sump with 54" tank collar ring connection, corbel, skirt, internal lid, 36" dia. flat sealed cover and composite frame.

For reference purposes only. This drawing is not a specification. Order against product code only. To enable continuous improvement of our products, the designs and specifications are subject to change without notice.

