

59" diameter 12 sided sump with reverse flange, corbel, adjustable height skirt, internal lid with dip tube hole, and round 40" flat sealed cover and frame.

S16-3100

© Copyright

Issue: 12/06/2016

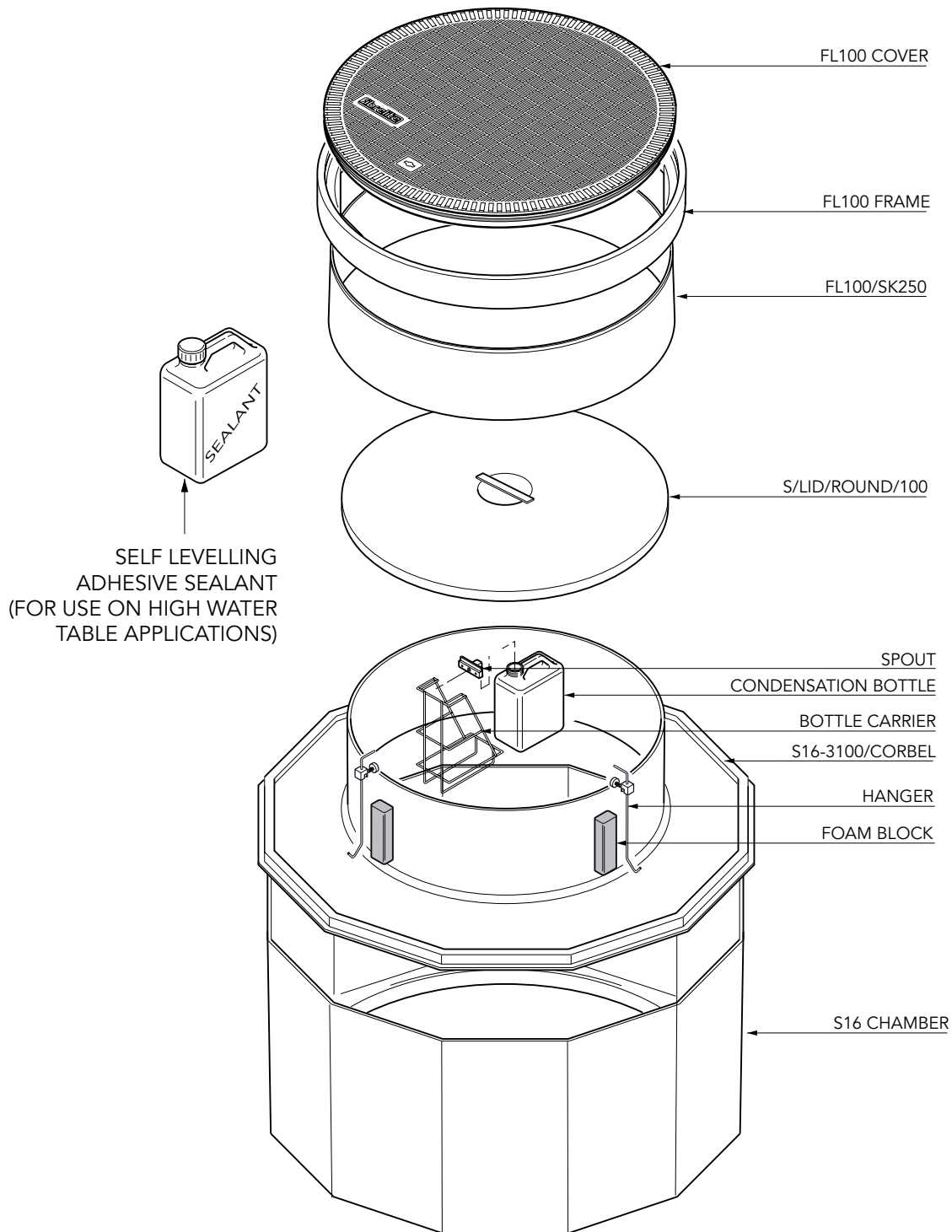
Page: 1 of 4



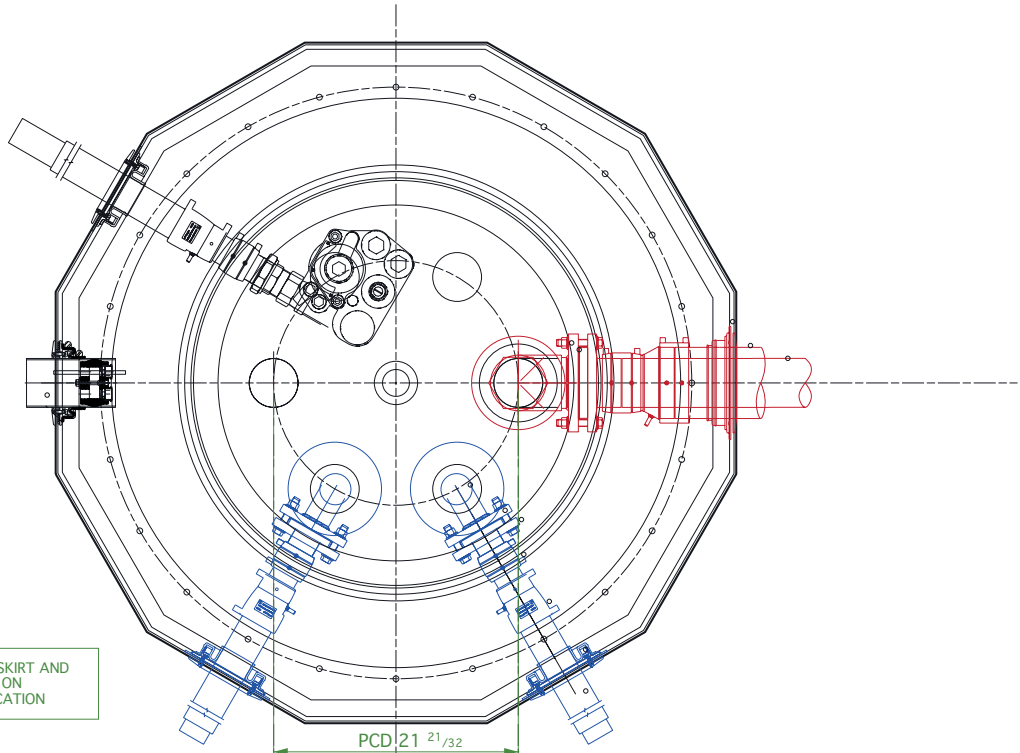
FIBRELITE

PART OF  
**OPW**

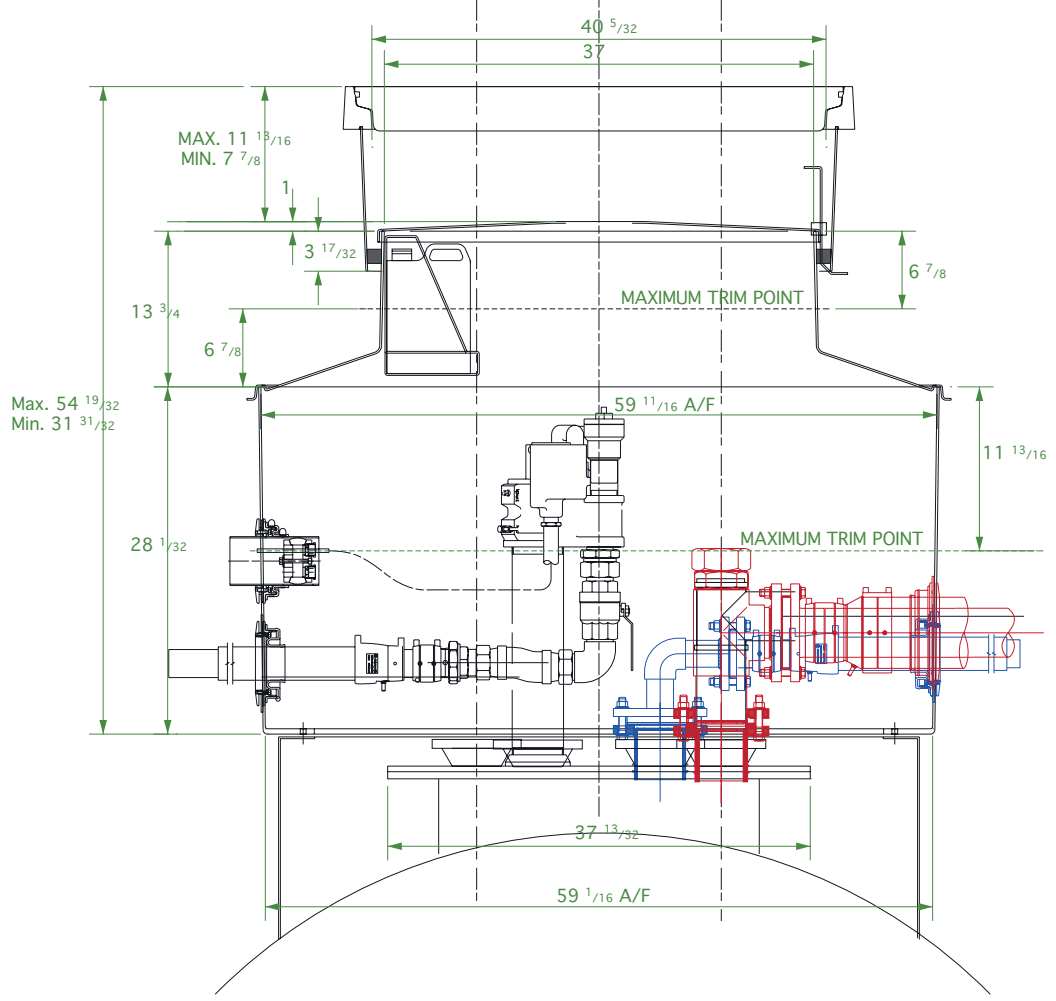
A DOVER COMPANY



59" diameter 12 sided sump with reverse flange, corbel, adjustable height skirt, internal lid with dip tube hole, and round 40" flat sealed cover and frame.



NOTE: SEALANT BETWEEN SKIRT AND CORBEL ONLY TO BE USED ON HIGH WATER TABLE APPLICATION



59" diameter 12 sided sump with reverse flange, corbel, adjustable height skirt, internal lid with dip tube hole, and round 40" flat sealed cover and frame.

S16-3100

© Copyright Issue: 12/06/2016 Page: 3 of 4



For ref purposes only. This drawing is not a specification. Order against code only. To enable continuous improvement of our products, the designs and specifications are subject to change without notice.

