

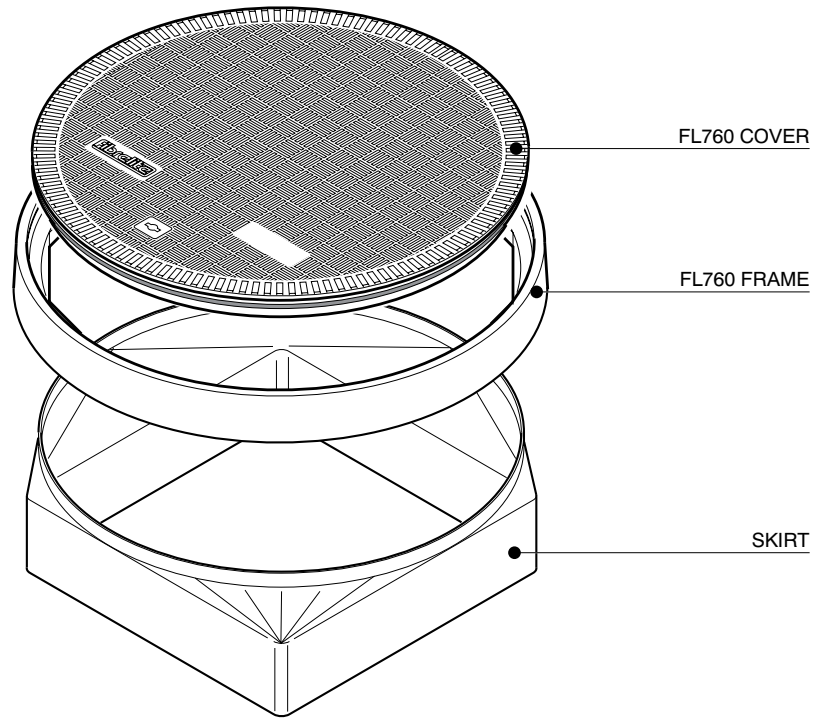
19 9/32" square x 30 5/16" deep offset fill chamber system with adjustable skirt, spill container, 1/2 tin of sealant and FL760 flat sealed cover with composite frame. Includes inspection port cap, pipe entry and penetration fitting for grounding connection. For 1 fill.

For reference purposes only. This drawing is not a specification. Order against product code only. To enable continuous improvement of our products, the designs and specifications are subject to change without notice.

**FIBRELITE**   
PART OF OPW A DOVER COMPANY



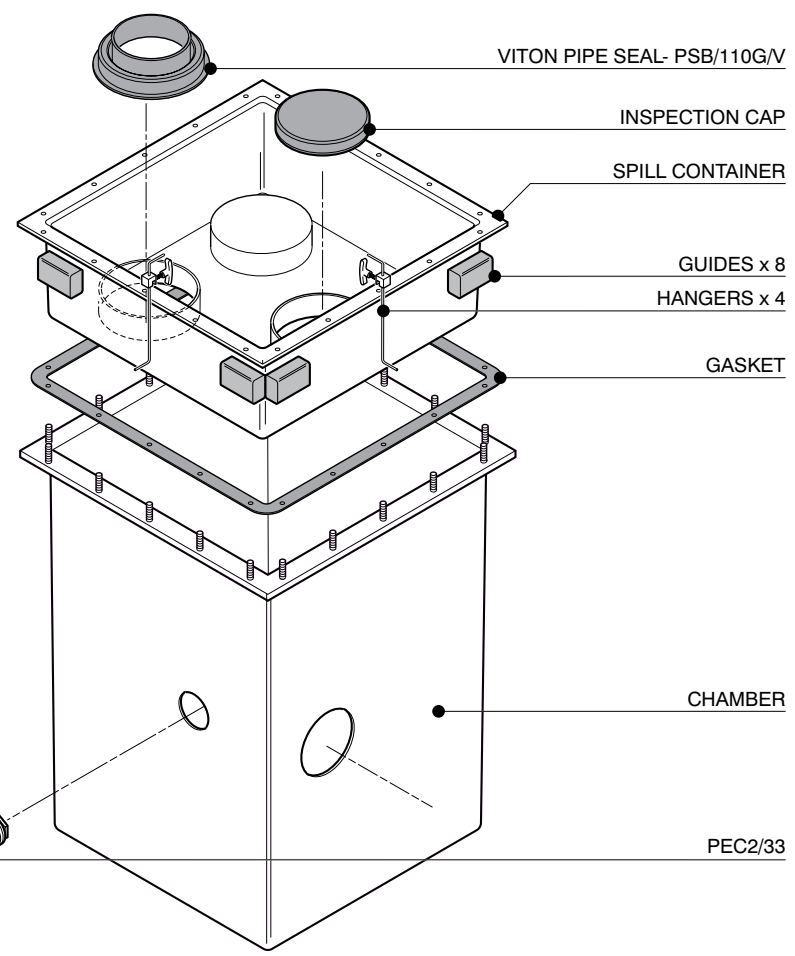
SELF LEVELLING  
ADHESIVE SEALANT  
(SEALS GAP BETWEEN  
CHAMBER & SKIRT)



FL760 COVER

FL760 FRAME

SKIRT



VITON PIPE SEAL- PSB/110G/V

INSPECTION CAP

SPILL CONTAINER

GUIDES x 8  
HANGERS x 4

GASKET

CHAMBER

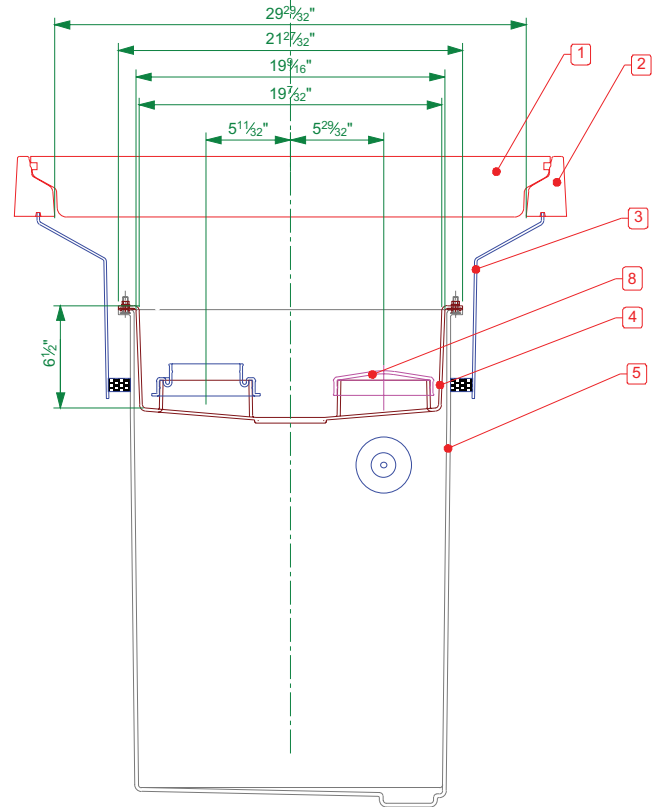
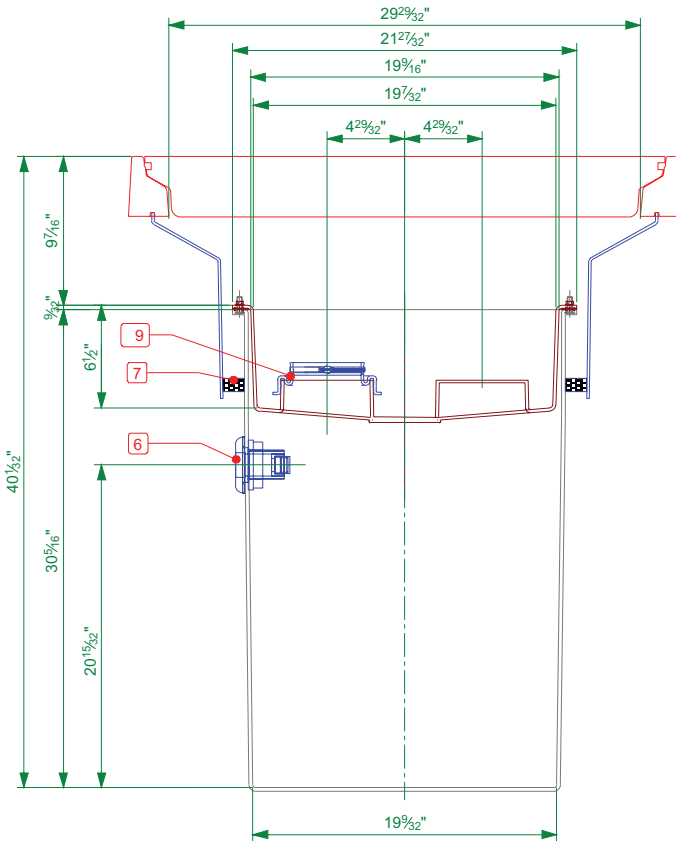
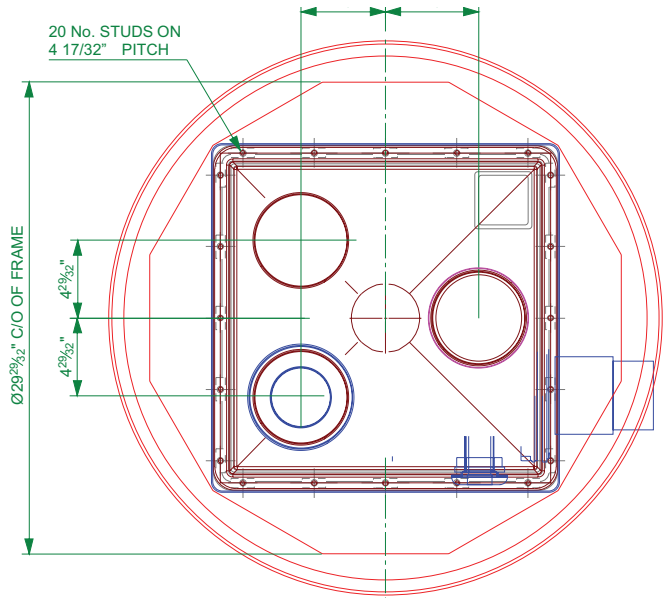
PEC2/33

19 9/32" square x 30 5/16" deep offset fill chamber system with adjustable skirt, spill container, 1/2 tin of sealant and FL760 flat sealed cover with composite frame. Includes inspection port cap, pipe entry and penetration fitting for grounding connection. For 1 fill.

For reference purposes only. This drawing is not a specification. Order against product code only. To enable continuous improvement of our products, the designs and specifications are subject to change without notice.



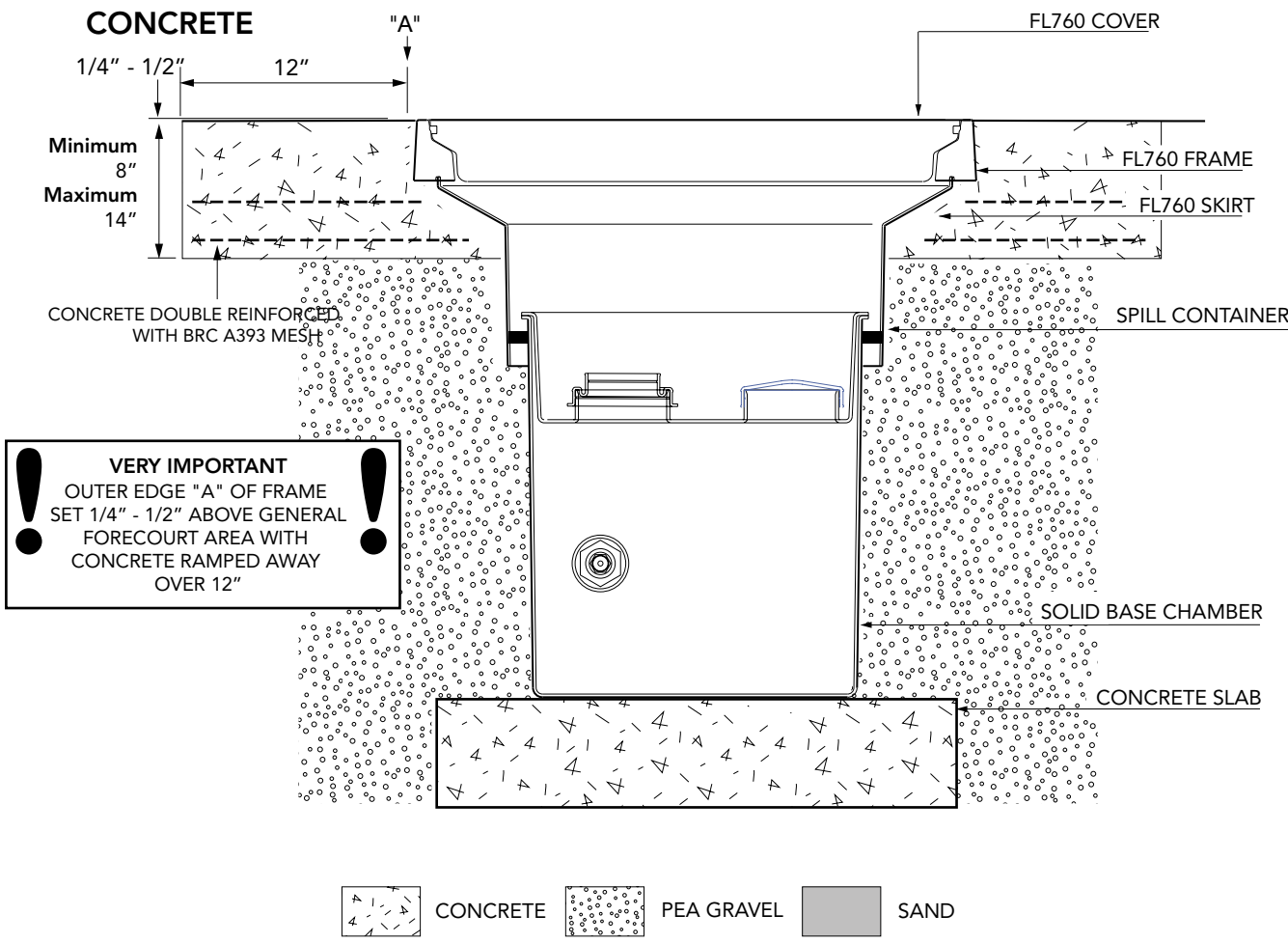
ITEM	DESCRIPTION	CODE	QTY
1	Fibrelite FL760 Cover	FL760C	1
2	Fibrelite FL760 Frame	FL760F	1
3	Fibrelite 10 5/8" Deep Skirt	FL760/SK300/OFF	1
4	Fibrelite Spill Container with Integrated Drain Back Valve	S2/SC/760/ROW	1
5	Fibrelite 19 9/32"sq x 30 5/16" Sump	S2-OFB-760D	1
6	Fibrelite Grounding Cable Seal	PEC/2/33	1
7	Fibrelite Self-levelling Seal	S/CS/SEALANT	1
8	Inspection Cap	--	1
9	Fibrelite PSB/110G/V Viton Entry Boot	PSB/110G/V	1



**NOTES:**

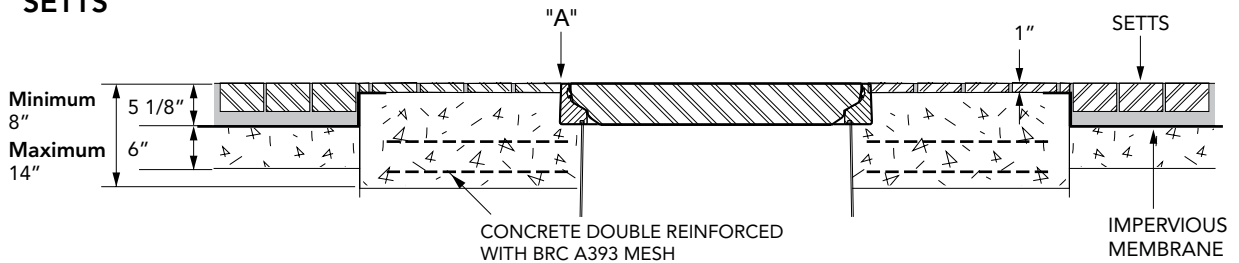
- SUPPLIED WITH 4 No. HANGERS AND 8 No. FOAM GUIDES
- DRAIN BACK SEALING OFF KIT AVAILABLE FOR NON-DRAINBACK VERSIONS
- SPILL CONTAINMENT CAPACITY = 35 Litres / 9.25 US GALL

**TYPICAL INSTALLATION**



**ALTERNATIVE INSTALLATION ADVICE**

**SETTS**



19 9/32" square x 30 5/16" deep offset fill chamber system with adjustable skirt, spill container, 1/2 tin of sealant and FL760 flat sealed cover with composite frame. Includes inspection port cap, pipe entry and penetration fitting for grounding connection. For 1 fill.

For reference purposes only. This drawing is not a specification. Order against product code only. To enable continuous improvement of our products, the designs and specifications are subject to change without notice.

