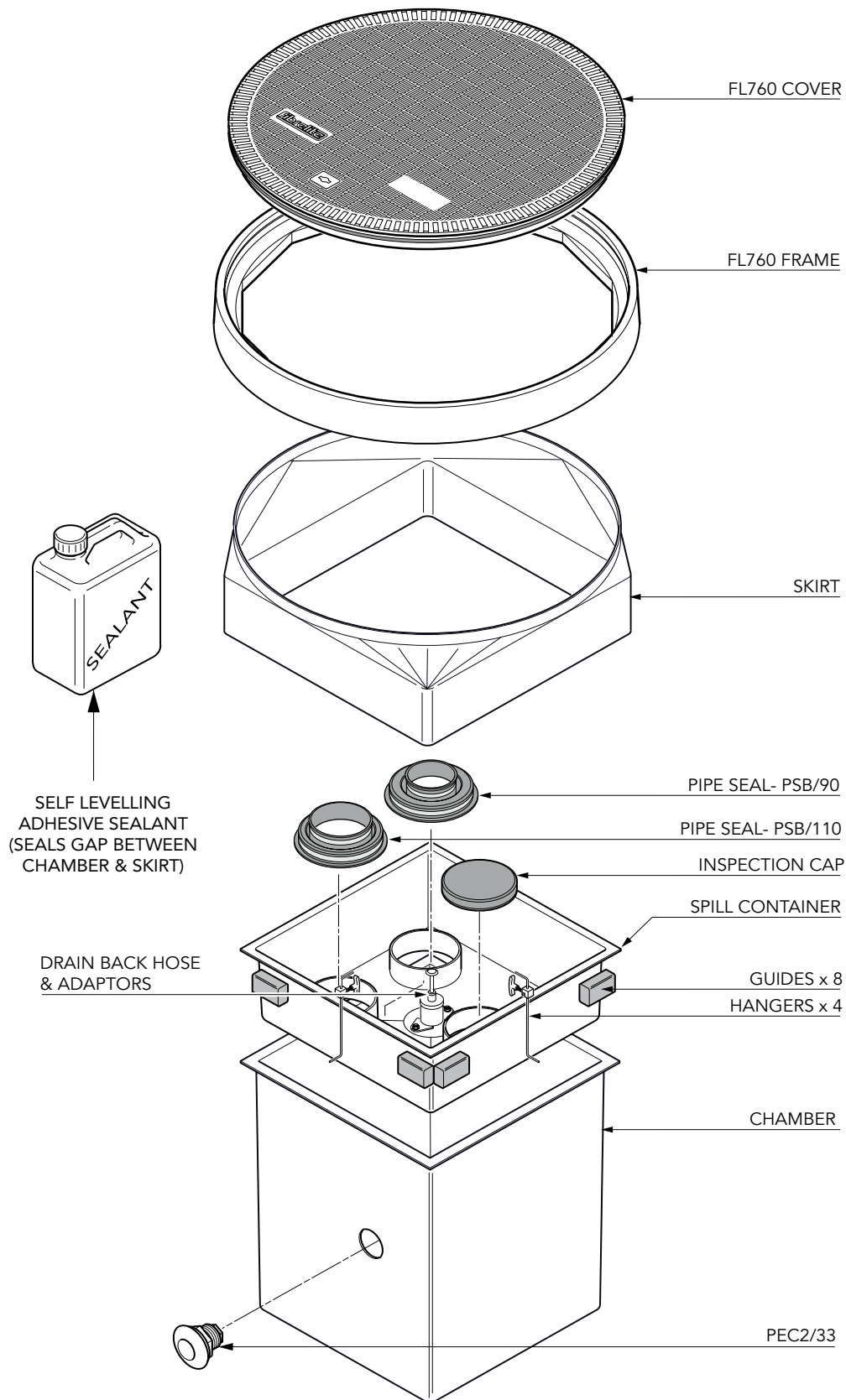


20" square x 24" deep FRP solid base sump, FRP spill container with an integrated drainback system, FRP skirt, 30" dia flat sealed cover and frame. 1/2 tin sealant. 1 Fill and 1 VR1B

For reference purposes only. This drawing is not a specification. Order against product code only. To enable continuous improvement of our products, the designs and specifications are subject to change without notice.

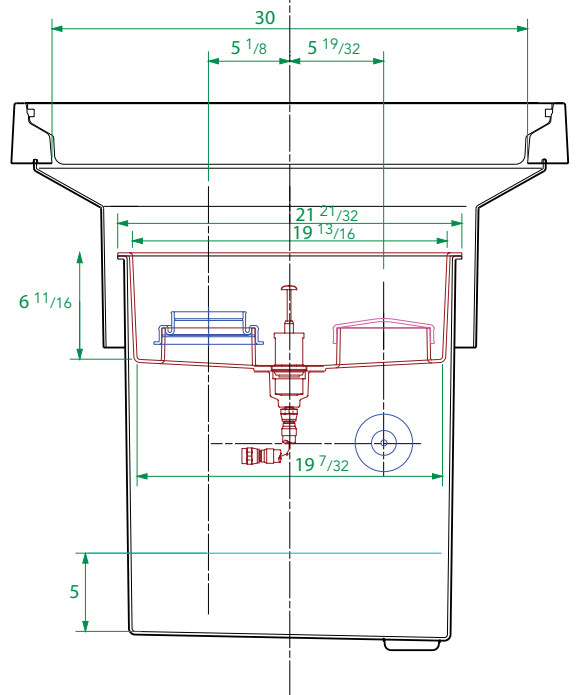
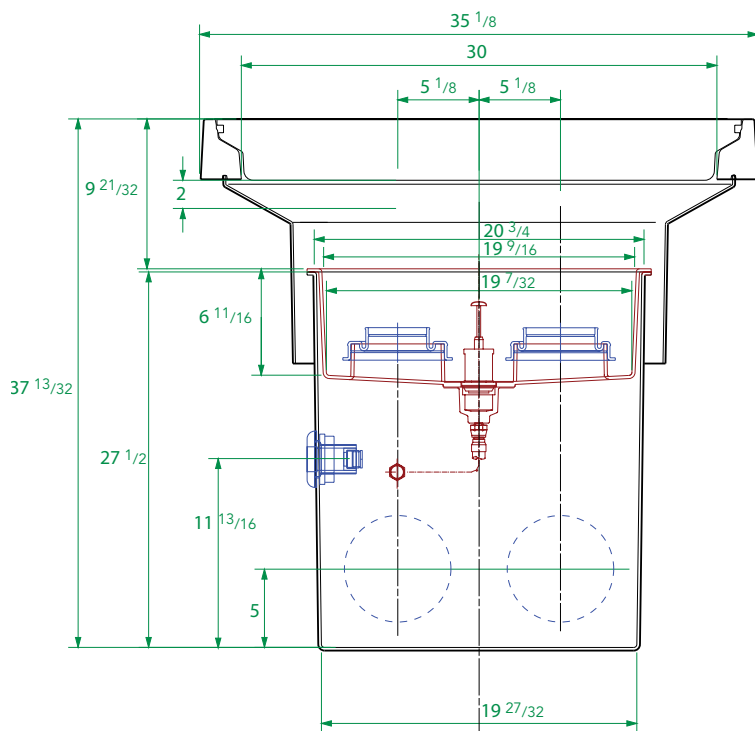
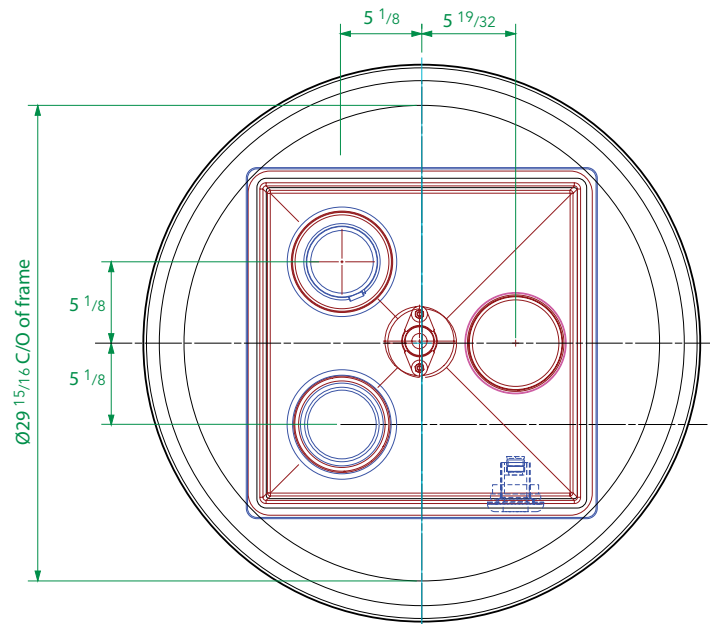
FIBRELITE 
PART OF OPW A DOVER COMPANY



20" square x 24" deep FRP solid base sump, FRP spill container with an integrated drainback system, FRP skirt, 30" dia flat sealed cover and frame. ½ tin sealant. 1 Fill and 1 VR1B

For reference purposes only. This drawing is not a specification. Order against product code only. To enable continuous improvement of our products, the designs and specifications are subject to change without notice.

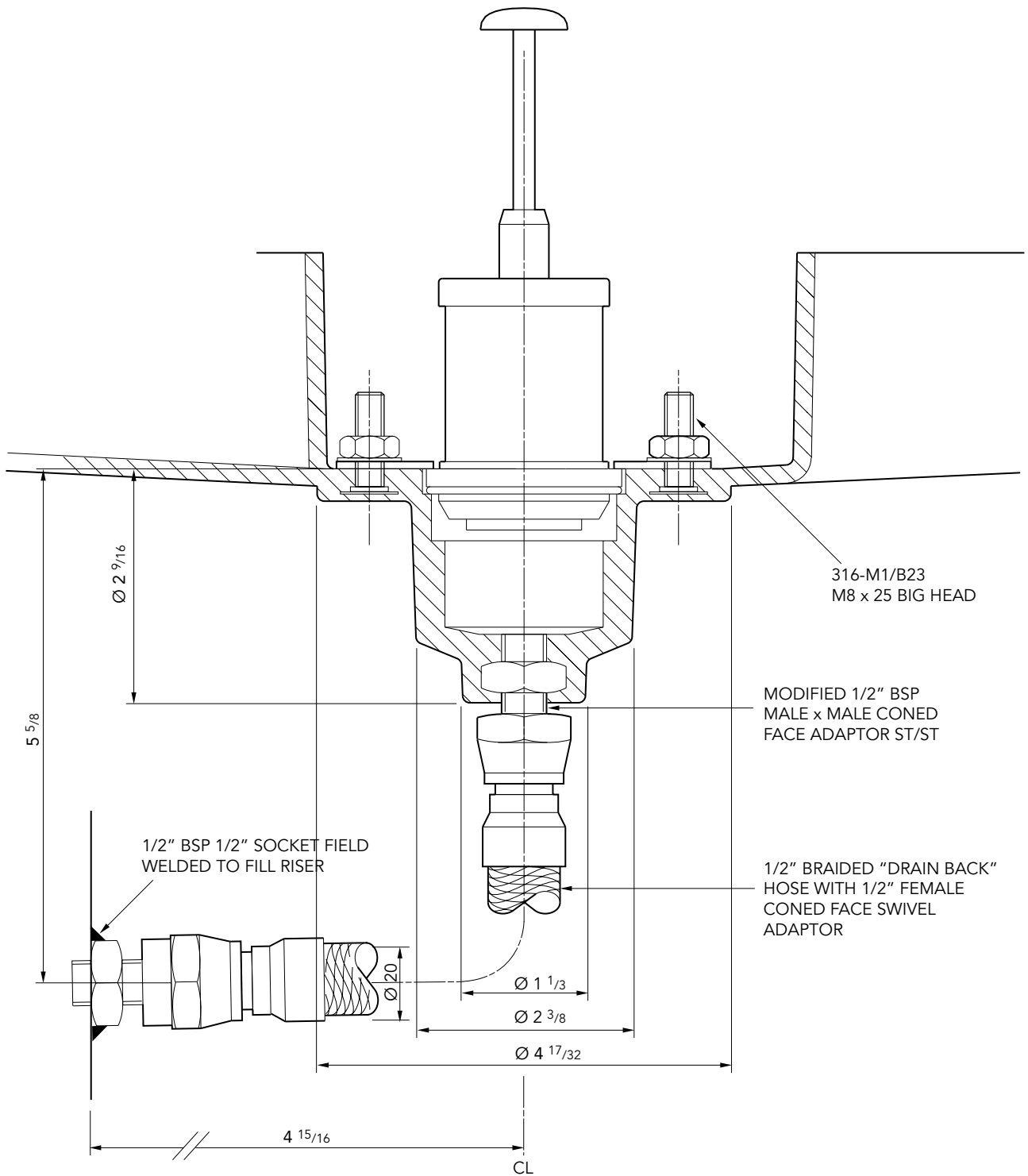
FIBRELITE 
PART OF OPW A DOWDER COMPANY



20" square x 24" deep FRP solid base sump, FRP spill container with an integrated drainback system, FRP skirt, 30" dia flat sealed cover and frame. 1/2 tin sealant. 1 Fill and 1 VR1B

For reference purposes only. This drawing is not a specification. Order against product code only. To enable continuous improvement of our products, the designs and specifications are subject to change without notice.

FIBRELITE 
PART OF OPW A DOVER COMPANY



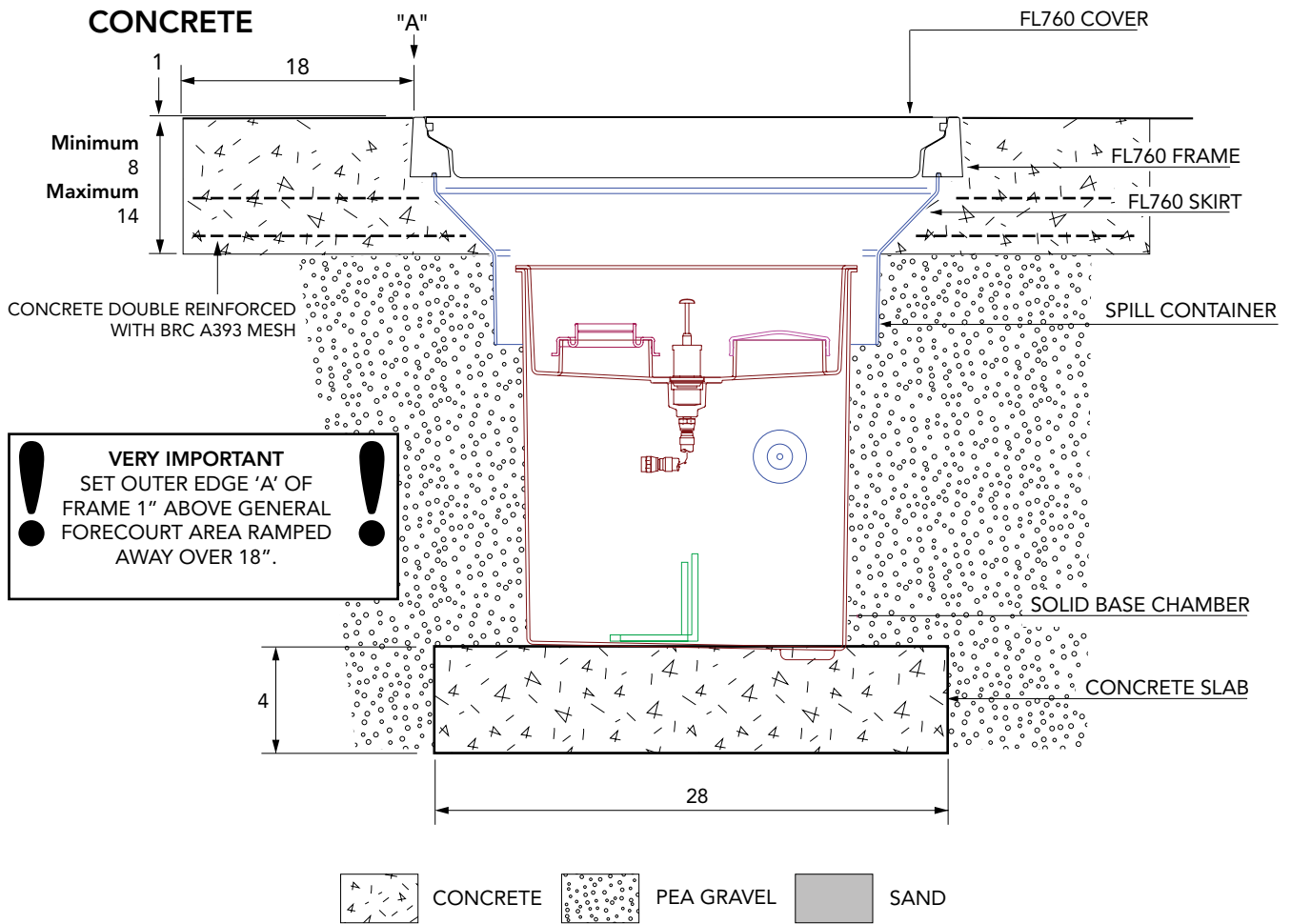
316-M1/B23
M8 x 25 BIG HEAD

MODIFIED 1/2" BSP
MALE x MALE CONED
FACE ADAPTOR ST/ST

1/2" BRAIDED "DRAIN BACK"
HOSE WITH 1/2" FEMALE
CONED FACE SWIVEL
ADAPTOR

1/2" BSP 1/2" SOCKET FIELD
WELDED TO FILL RISER

TYPICAL INSTALLATION



ALTERNATIVE INSTALLATION ADVICE

TARMACADAM

