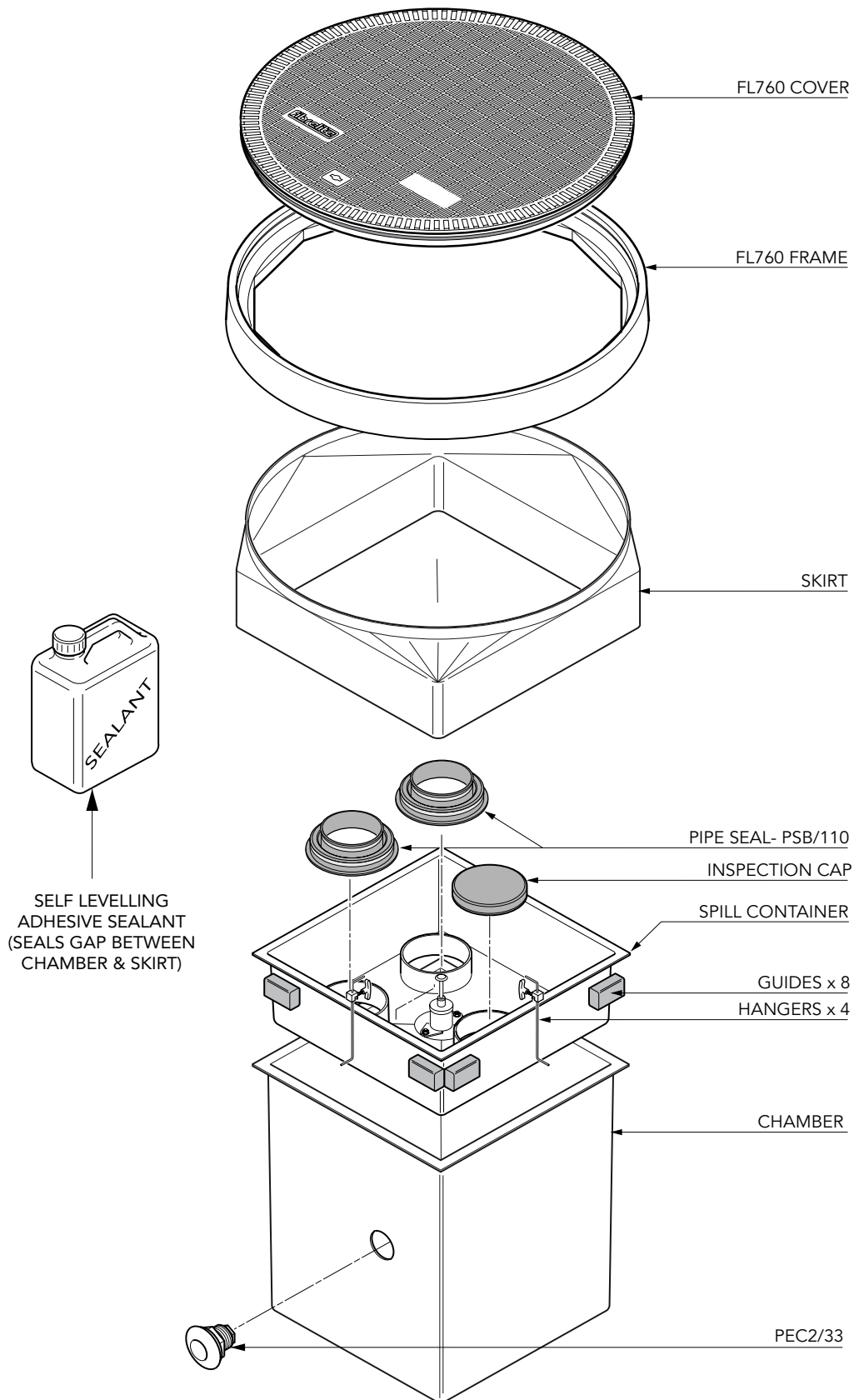


20" square x 24" deep GRP solid base sump, GRP spill container with an integrated drainback system, GRP skirt, 30" dia flat sealed cover and frame. 1/2 tin sealant. 2 Fills.

For reference purposes only. This drawing is not a specification. Order against product code only. To enable continuous improvement of our products, the designs and specifications are subject to change without notice.

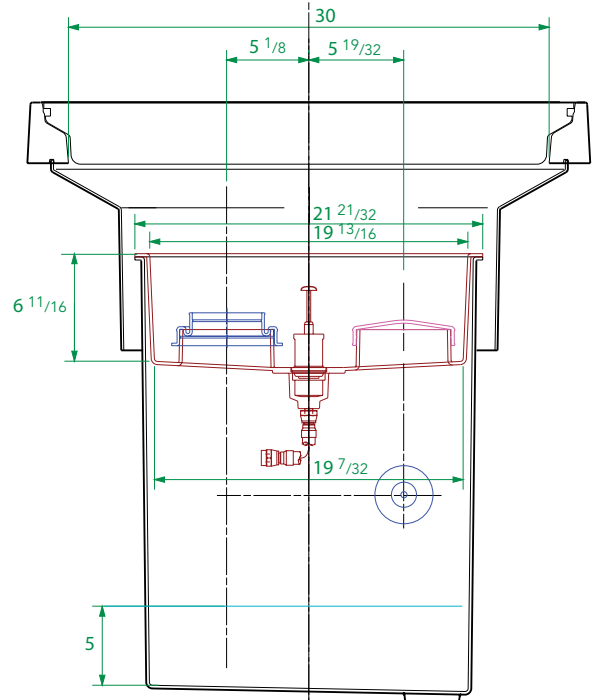
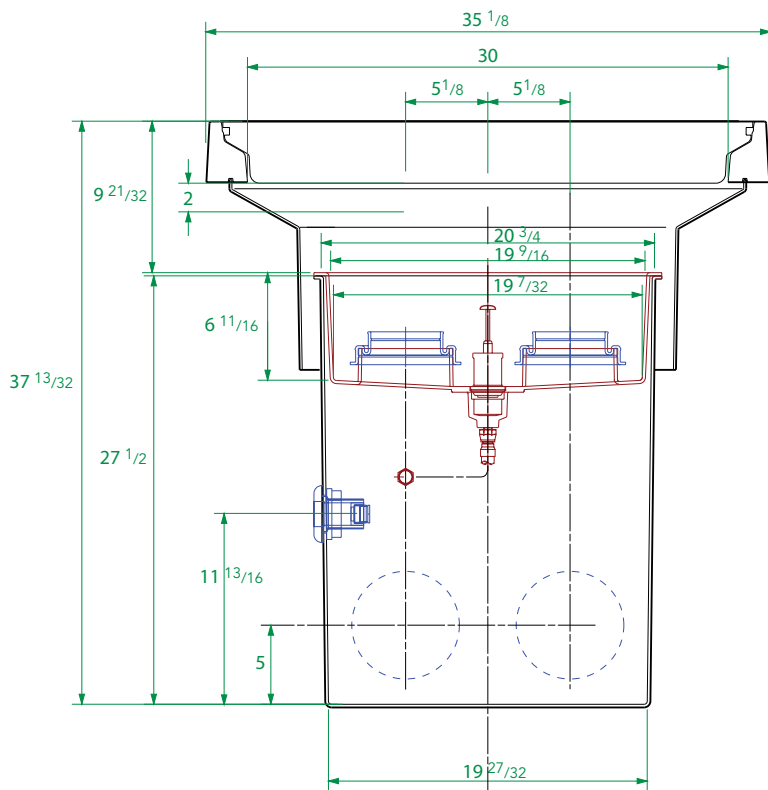
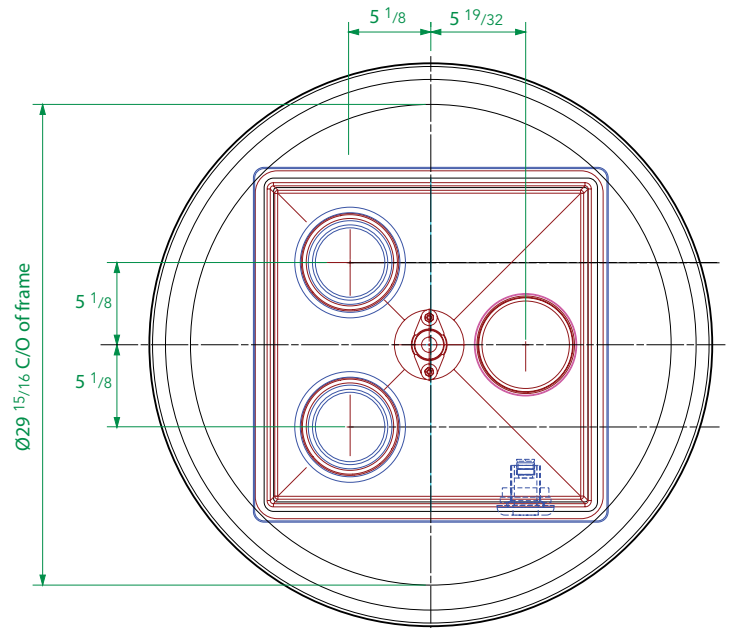
FIBRELITE 
PART OF OPW A DOVER COMPANY



20" square x 24" deep GRP solid base sump, GRP spill container with an integrated drainback system, GRP skirt, 30" dia flat sealed cover and frame. ½ tin sealant. 2 Fills.

For reference purposes only. This drawing is not a specification. Order against product code only. To enable continuous improvement of our products, the designs and specifications are subject to change without notice.

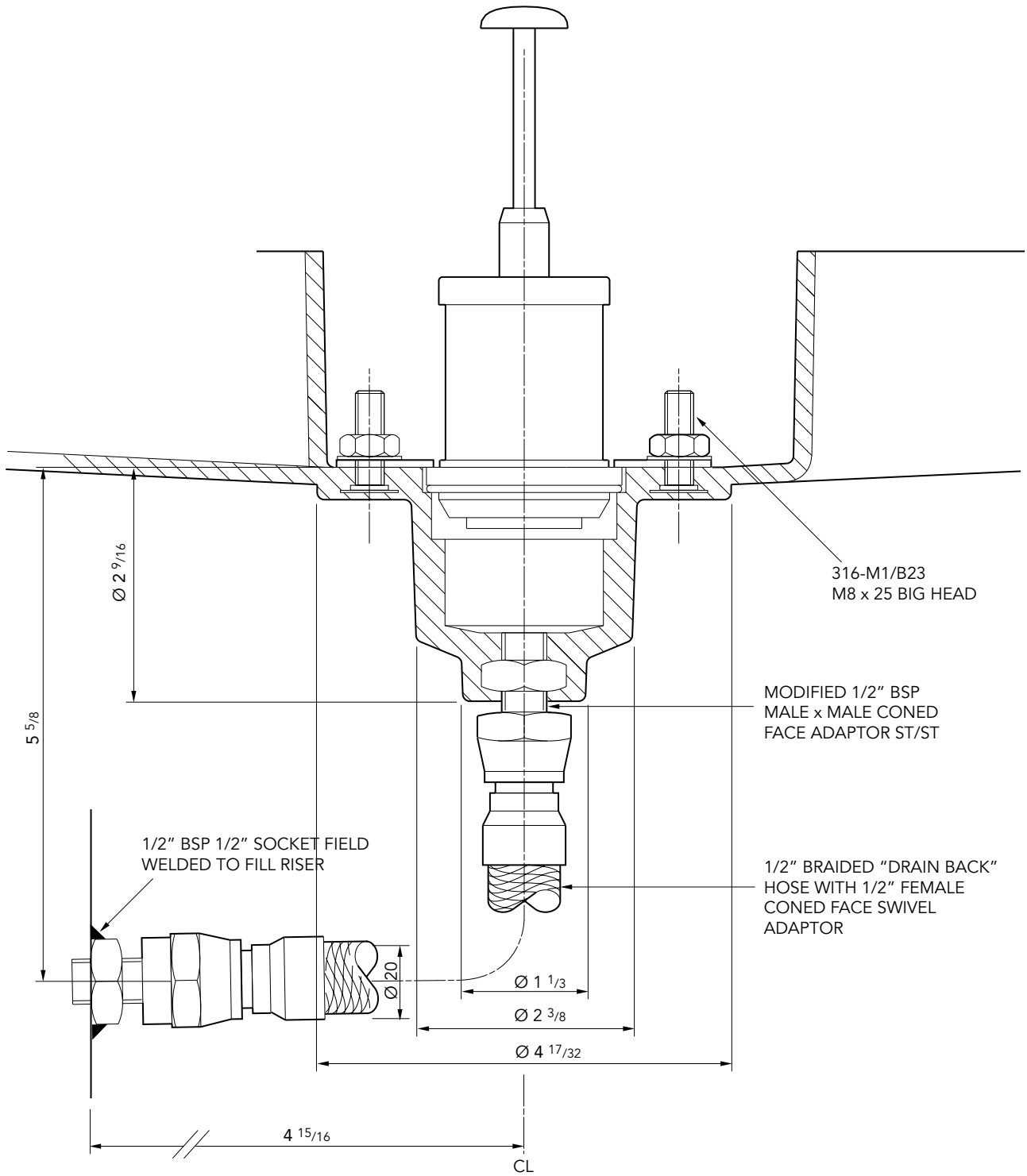
FIBRELITE 
PART OF OPW A DOVER COMPANY



20" square x 24" deep GRP solid base sump, GRP spill container with an integrated drainback system, GRP skirt, 30" dia flat sealed cover and frame. 1/2 tin sealant. 2 Fills.

For reference purposes only. This drawing is not a specification. Order against product code only. To enable continuous improvement of our products, the designs and specifications are subject to change without notice.

FIBRELITE 
PART OF OPW A DOWDER COMPANY

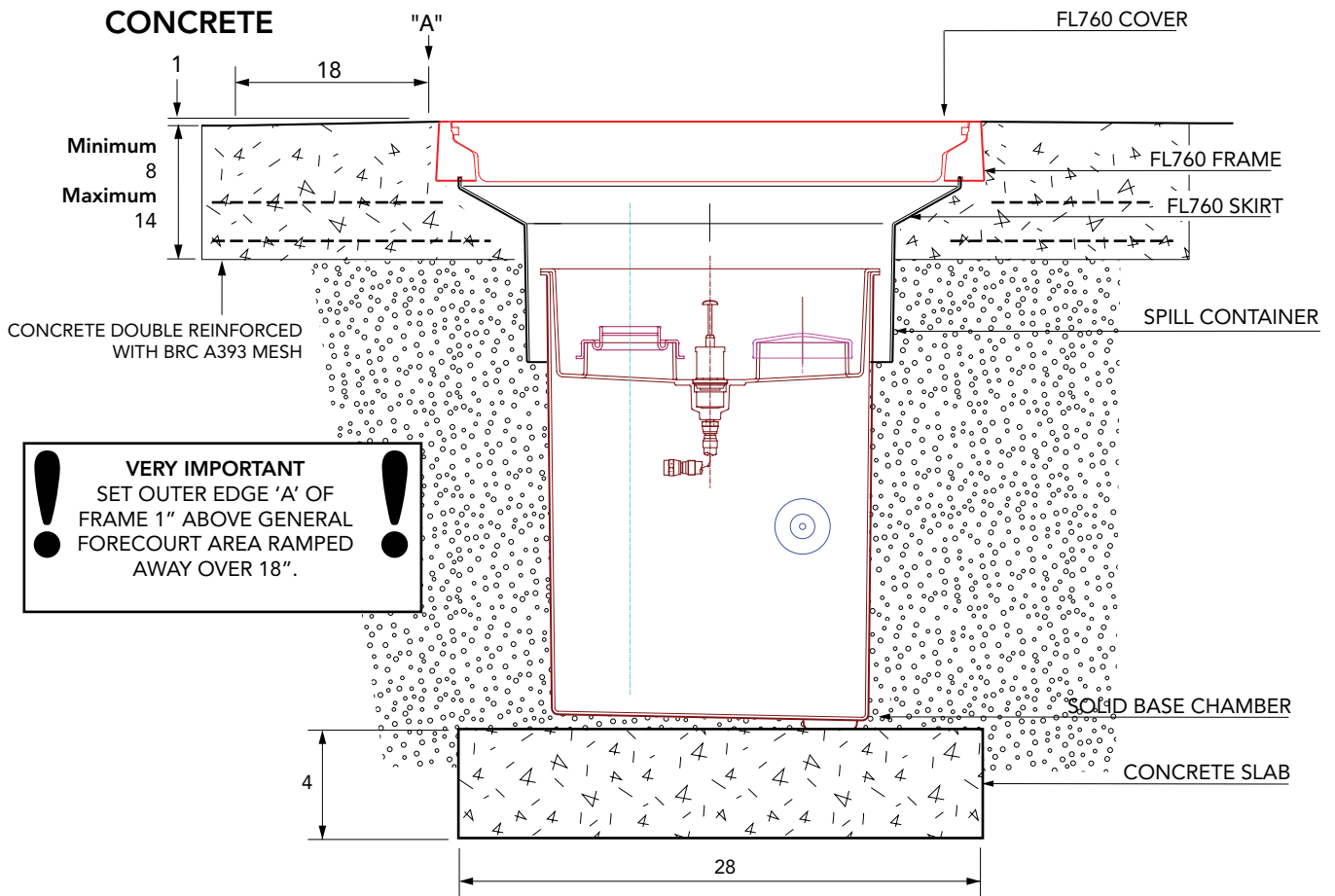


20" square x 24" deep GRP solid base sump, GRP spill container with an integrated drainback system, GRP skirt, 30" dia flat sealed cover and frame. 1/2 tin sealant. 2 Fills.

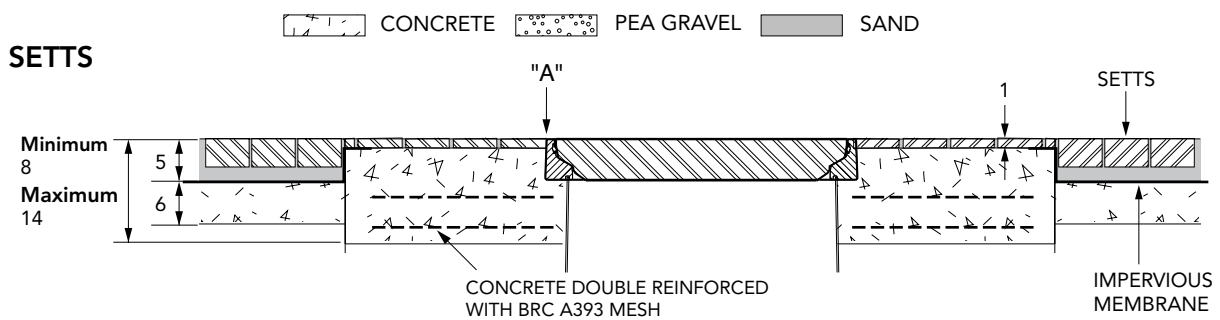
For reference purposes only. This drawing is not a specification. Order against product code only. To enable continuous improvement of our products, the designs and specifications are subject to change without notice.

FIBRELITE 
 PART OF OPW A DOVER COMPANY

TYPICAL INSTALLATION



ALTERNATIVE INSTALLATION ADVICE



20" square x 24" deep GRP solid base sump, GRP spill container with an integrated drainback system, GRP skirt, 30" dia flat sealed cover and frame. ½ tin sealant. 2 Fills.

For reference purposes only. This drawing is not a specification. Order against product code only. To enable continuous improvement of our products, the designs and specifications are subject to change without notice.

FIBRELITE 
PART OF OPW A DOVER COMPANY