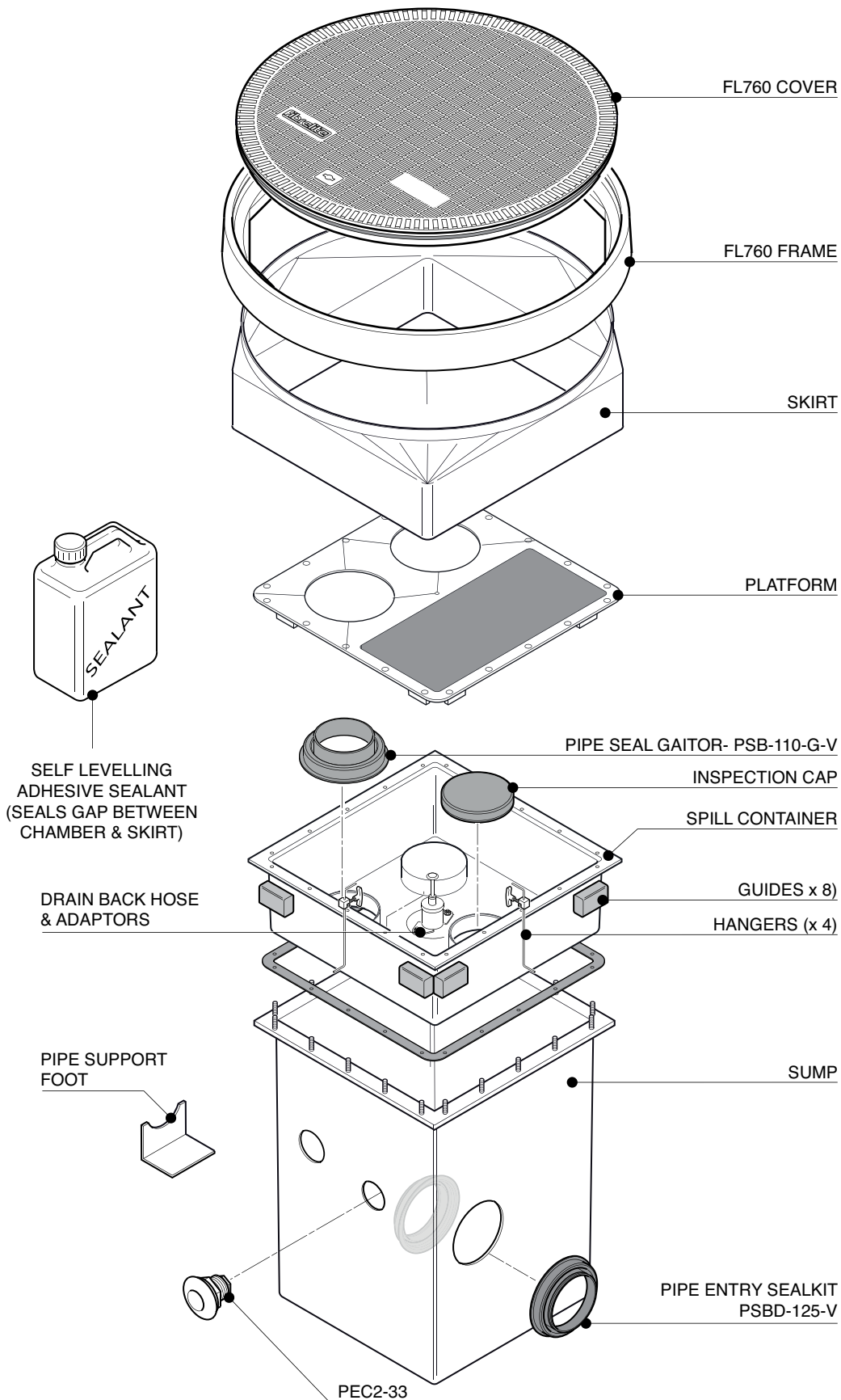


20" square x 30" deep offset fill chamber system with adjustable skirt, integrated spill container, 1/2 tin of sealant and FL760 flat sealed composite cover and frame. Includes inspection port, pipe entry and penetration fitting for grounding connection. With drainback. Structural platform. Includes preinstalled UPP double-wall pipework for 1 fill.

For reference purposes only. This drawing is not a specification. Order against product code only. To enable continuous improvement of our products, the designs and specifications are subject to change without notice.

FIBRELITE 
PART OF OPW A DOVER COMPANY



20" square x 30" deep offset fill chamber system with adjustable skirt, integrated spill container, 1/2 tin of sealant and FL760 flat sealed composite cover and frame. Includes inspection port, pipe entry and penetration fitting for grounding connection. With drainback. Structural platform. Includes preinstalled UPP double-wall pipework for 1 fill.

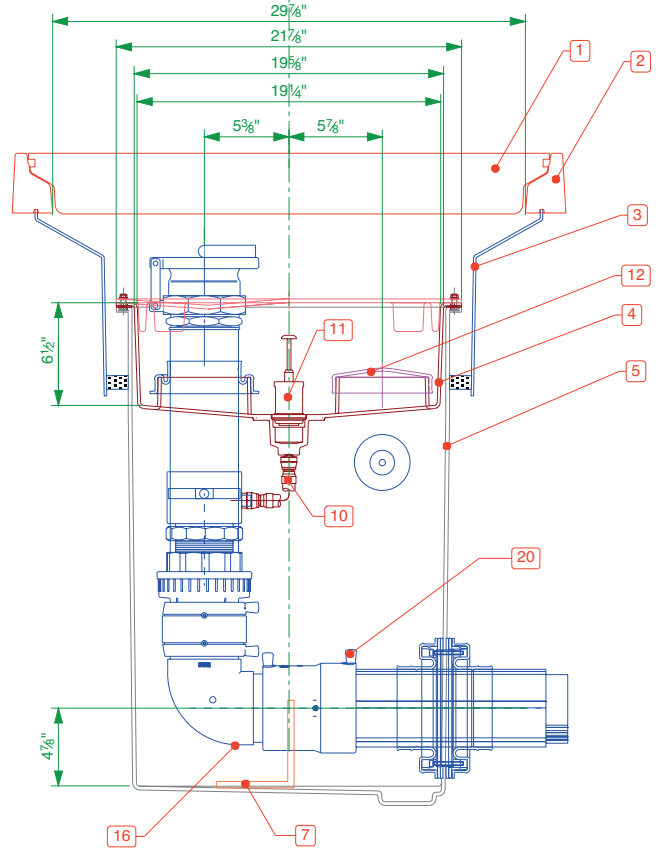
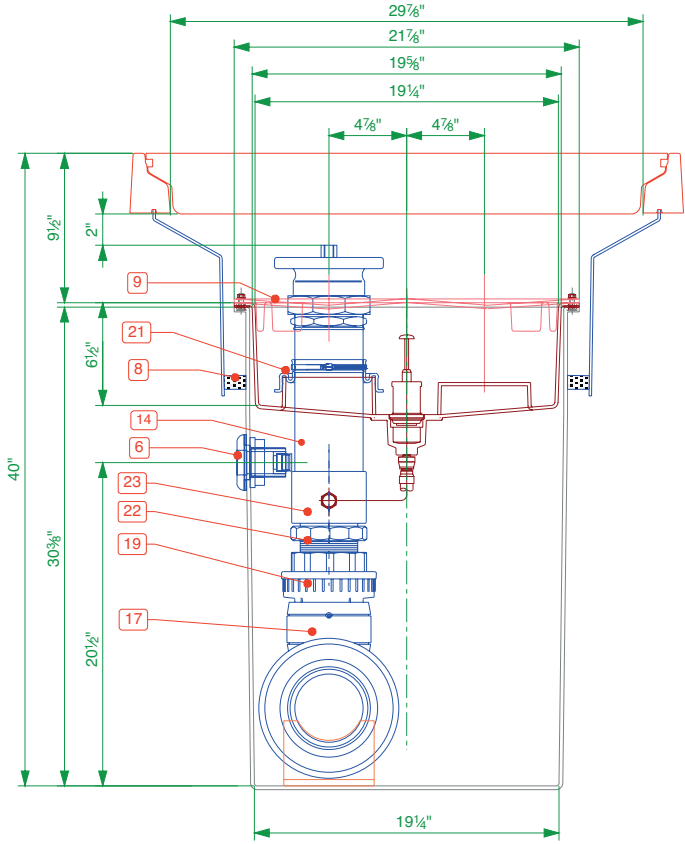
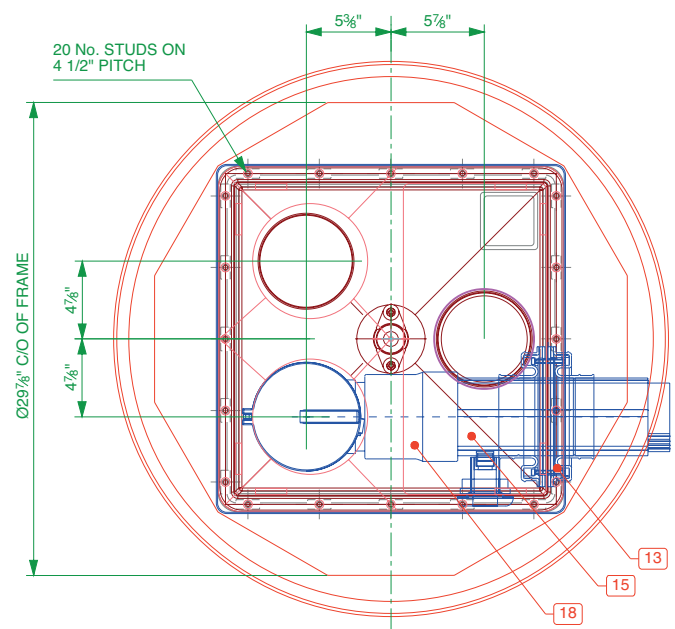
For reference purposes only. This drawing is not a specification. Order against product code only. To enable continuous improvement of our products, the designs and specifications are subject to change without notice.

ITEM	DESCRIPTION	CODE	QTY
1	Fibrelite FL760 Cover	FL760C	1
2	Fibrelite FL760 Frame	FL760F	1
3	Fibrelite 10" Deep Skirt	FL760-SK300-OF	1
4	Fibrelite Spill Container with Integrated Drain Back Valve	S2-SC-760-ROW	1
5	Fibrelite 20" sq x 30" mm Sump	S2-OFB-760D	1
6	Fibrelite Grounding Cable Seal	PEC2-33	1
7	Fibrelite Pipe Support	PSF	1
8	Fibrelite Self-levelling Seal	S-CS-SEALANT	1
9	Fibrelite Retro-Fit Platform	--	1
10	Drainback Hose Kit (Flexible Drain Back Hose, 1/2" BSPT Male x Male Cone Faced Adaptor, 1/2" BSP 1/2 Socket)	--	1
11	Drain Back Valve	--	1
12	Inspection Cap	--	1

ITEM	DESCRIPTION - 4" FILL	CODE	QTY
13	Fibrelite Viton Ø5" Double Sided Pipe Entry Seal	PSBD-125-V	1
14	EN Pipe - 4" Primary	001-110-XXX-E	1
15	EN Pipe - 5" Secondary	000-125-XXX-SC-E	1
16	110mm Primary 90° Elbow	03-110-L	1
17	Primary Welding Coupler UPP 4"	02.110	1
18	Reducer, SC, Term 110/90 TP	49-125-110-TP	1
19	TERM UPP 4" BSPT FEMALE	92-110 BSPT	1
20	CAP,ANTI-STATIC,12	ESI-CAP-012	6
21	PSB-110G Viton Gaitor	PSB-110-G-V	1
22	4" Hex Nipple	--	1
23	4" BSP Galvanized Socket with Intergrated 1/2" BSP Socket	--	1

NOTES:

- SUPPLIED WITH 4 No. HANGERS AND 8 No. FOAM GUIDES
- DRAIN BACK SEALING OFF KIT AVAILABLE FOR NON-DRAINBACK VERSIONS
- SPILL CONTAINMENT CAPACITY = 35 Litres / 9.25 US GALL

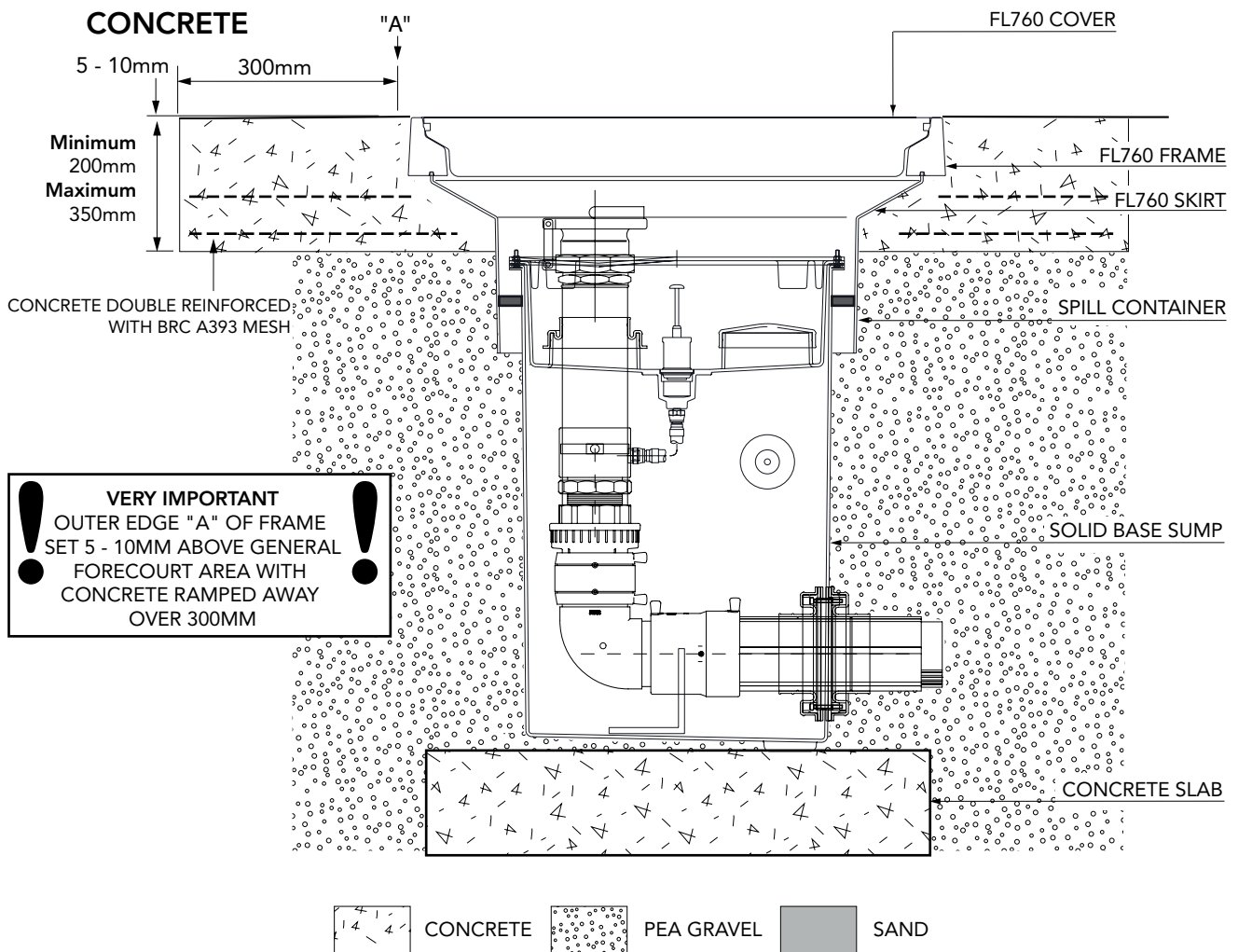


20" square x 30" deep offset fill chamber system with adjustable skirt, integrated spill container, 1/2 tin of sealant and FL760 flat sealed composite cover and frame. Includes inspection port, pipe entry and penetration fitting for grounding connection. With drainback. Structural platform. Includes preinstalled UPP double-wall pipework for 1 fill.

For reference purposes only. This drawing is not a specification. Order against product code only. To enable continuous improvement of our products, the designs and specifications are subject to change without notice.

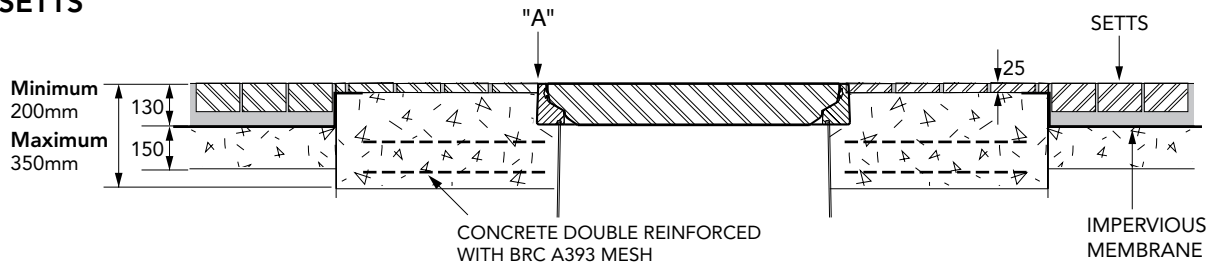


TYPICAL INSTALLATION



ALTERNATIVE INSTALLATION ADVICE

SETTS



20" square x 30" deep offset fill chamber system with adjustable skirt, integrated spill container, 1/2 tin of sealant and FL760 flat sealed composite cover and frame. Includes inspection port, pipe entry and penetration fitting for grounding connection. With drainback. Structural platform. Includes preinstalled UPP double-wall pipework for 1 fill.

For reference purposes only. This drawing is not a specification. Order against product code only. To enable continuous improvement of our products, the designs and specifications are subject to change without notice.