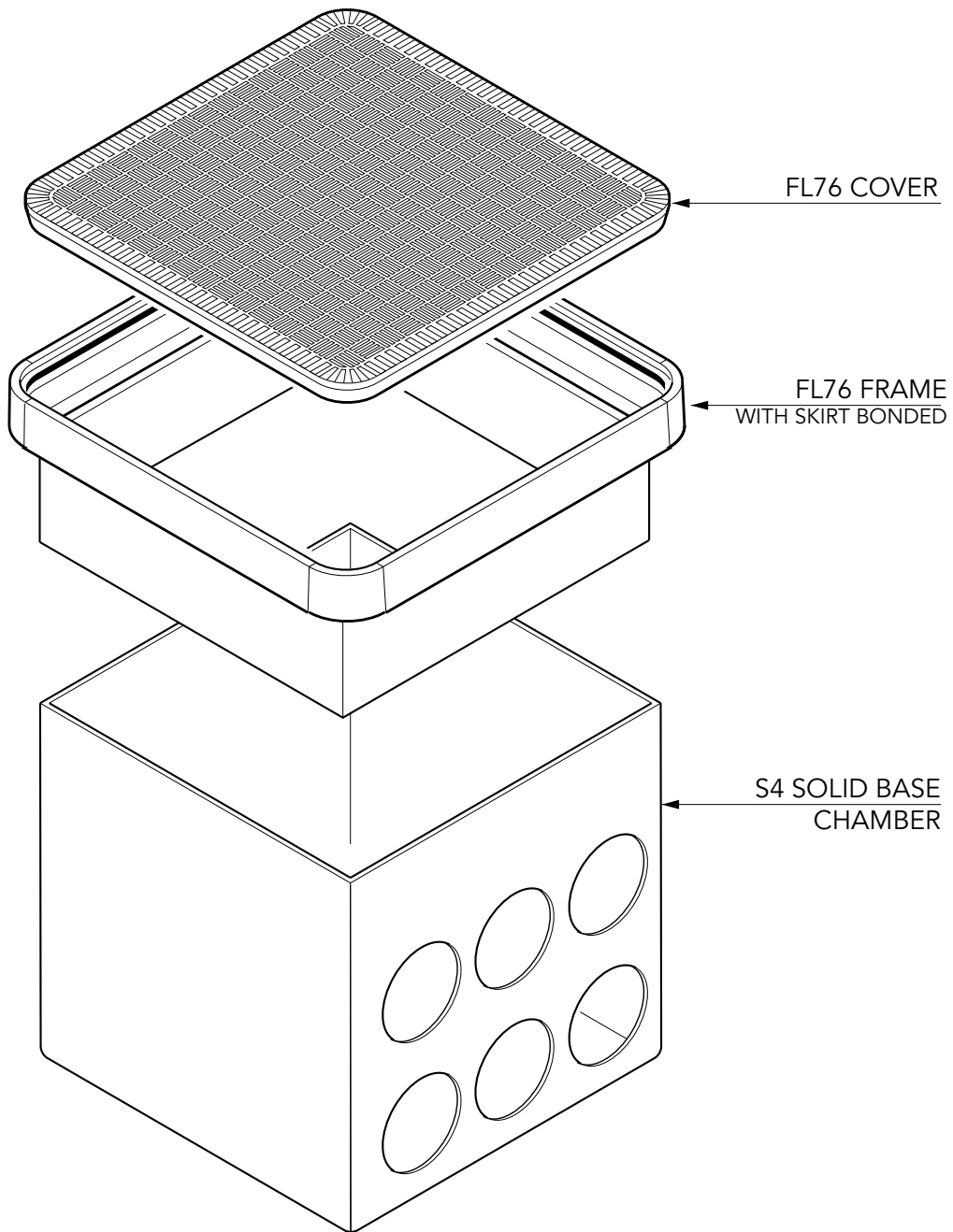


Electrical Drawpit 30" square x 30" deep GRP chamber with a 8 1/4" deep skirt and square 30" flat sealed cover.

For reference purposes only. This drawing is not a specification. Order against product code only. To enable continuous improvement of our products, the designs and specifications are subject to change without notice.

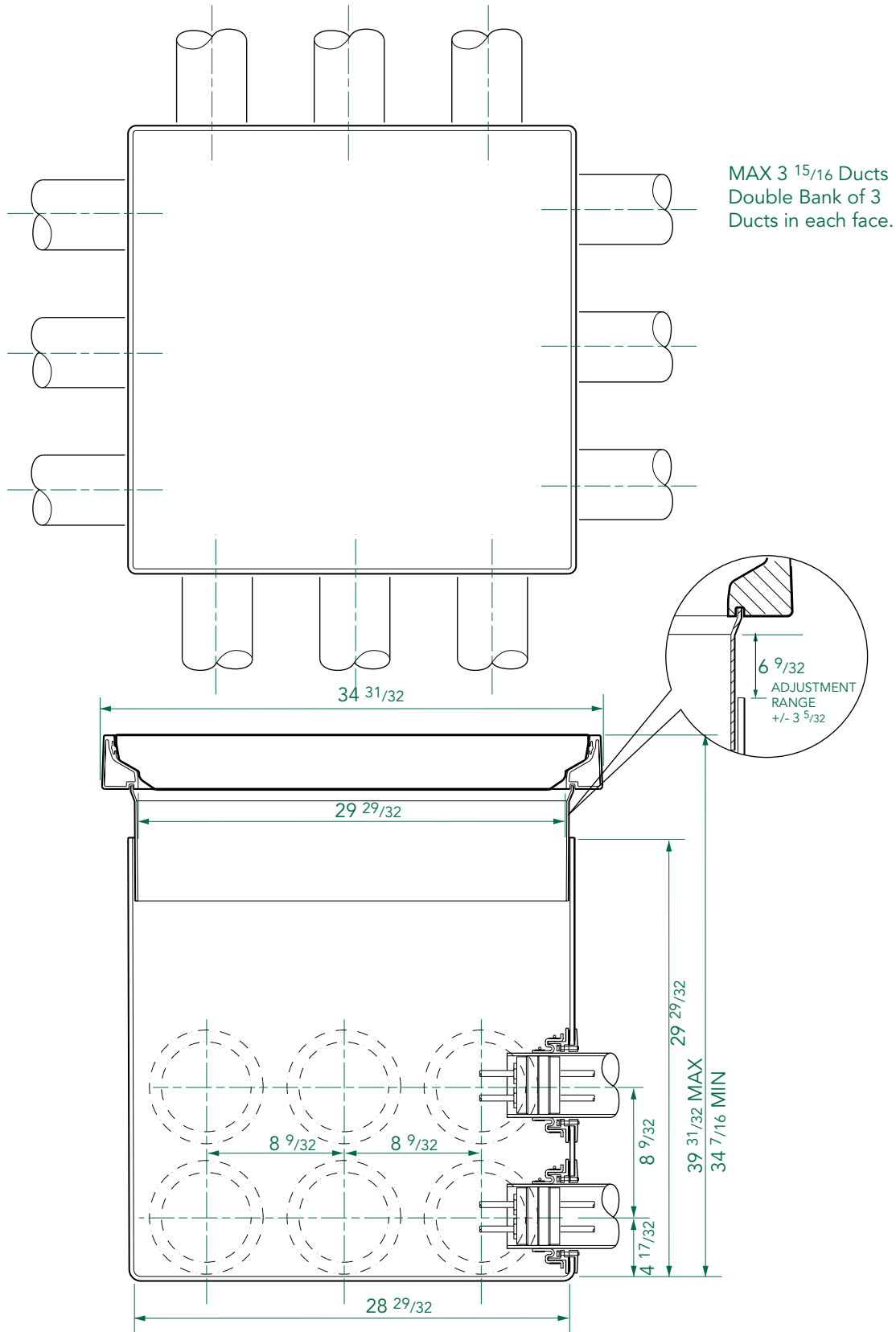
FIBRELITE 
PART OF OPW A DOVER COMPANY



Electrical Drawpit 30" square x 30" deep GRP chamber with a 8 1/4" deep skirt and square 30" flat sealed cover.

For reference purposes only. This drawing is not a specification. Order against product code only. To enable continuous improvement of our products, the designs and specifications are subject to change without notice.

FIBRELITE 
PART OF OPW A DOVER COMPANY



Electrical Drawpit 30" square x 30" deep GRP chamber with a 8 1/4" deep skirt and square 30" flat sealed cover.

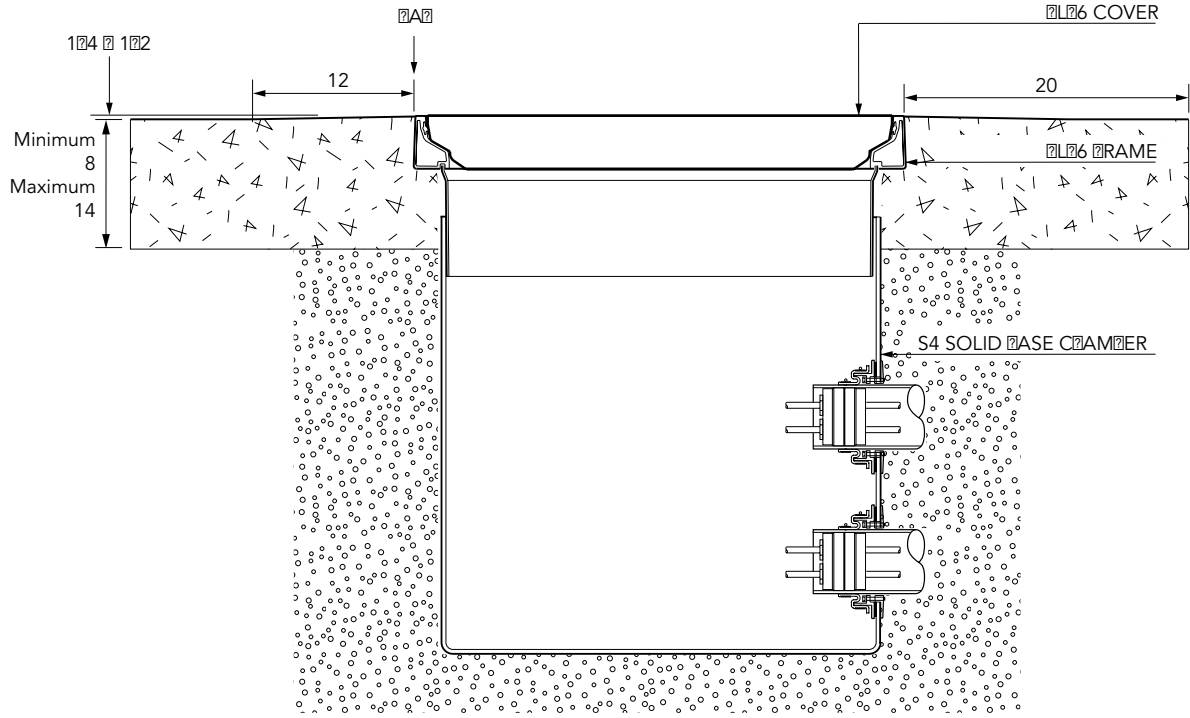
For reference purposes only. This drawing is not a specification. Order against product code only. To enable continuous improvement of our products, the designs and specifications are subject to change without notice.

FIBRELITE 
PART OF OPW A DOVER COMPANY

VERY IMPORTANT
 OUTER EDGE "A" OF FRAME SET 1/4 - 1/2"
 ABOVE GENERAL FORECOURT AREA WITH
 CONCRETE RAMPED AWAY OVER 12"

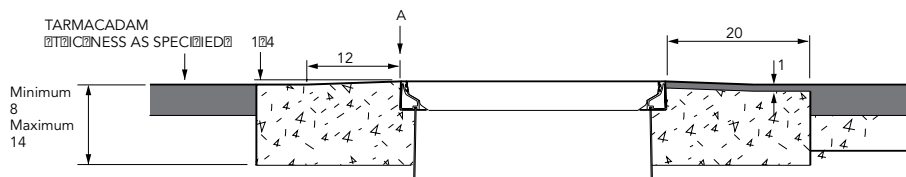
TYPICAL INSTALLATION

CONCRETE



ALTERNATIVE INSTALLATION ADVICE

TARMACADAM



SETTS

