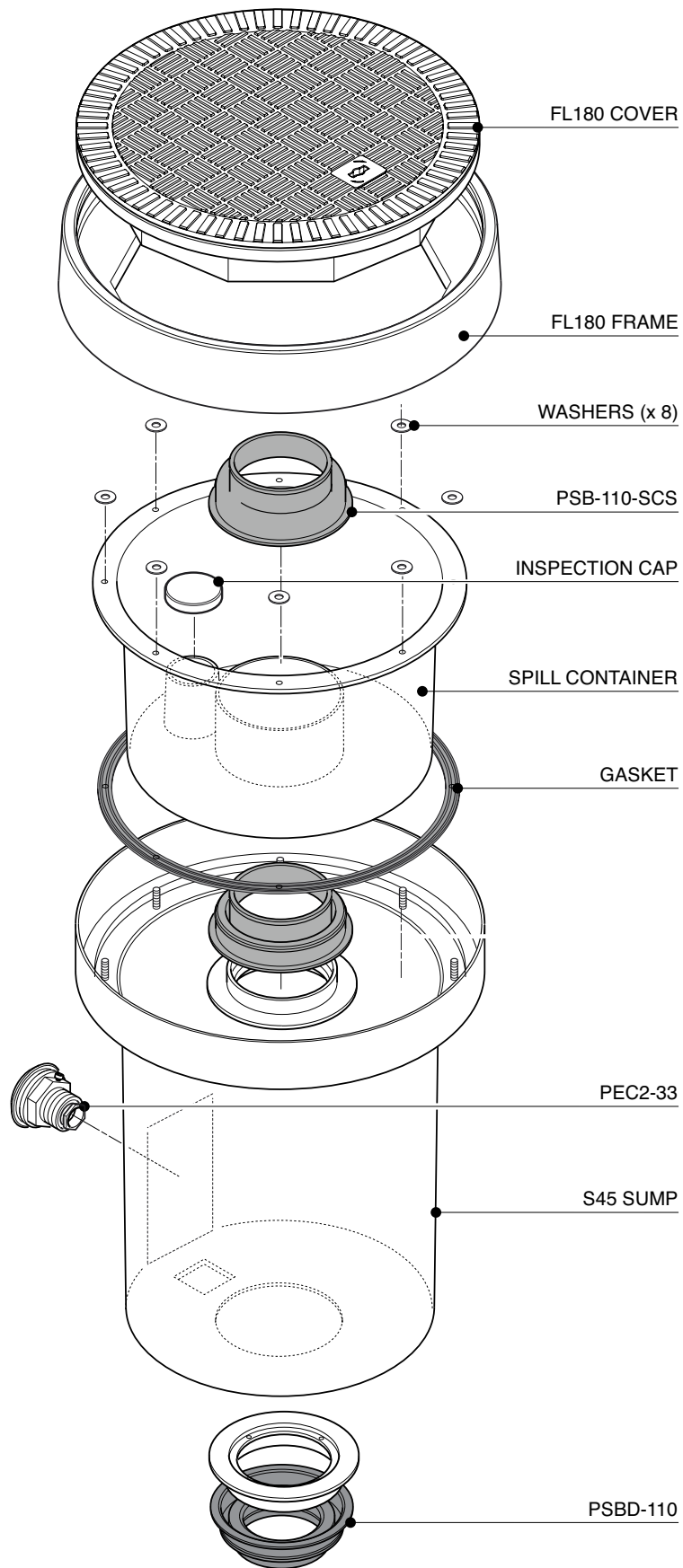


Secondary contained Direct Fill Sump 18" solid base sump, with a sealed secondary spill container. 18" dia. flat sealed cover and frame. Includes PSB/110-SCS dia. fill pipe sealkit and grounding cable sealkit.

For reference purposes only. This drawing is not a specification. Order against product code only. To enable continuous improvement of our products, the designs and specifications are subject to change without notice.

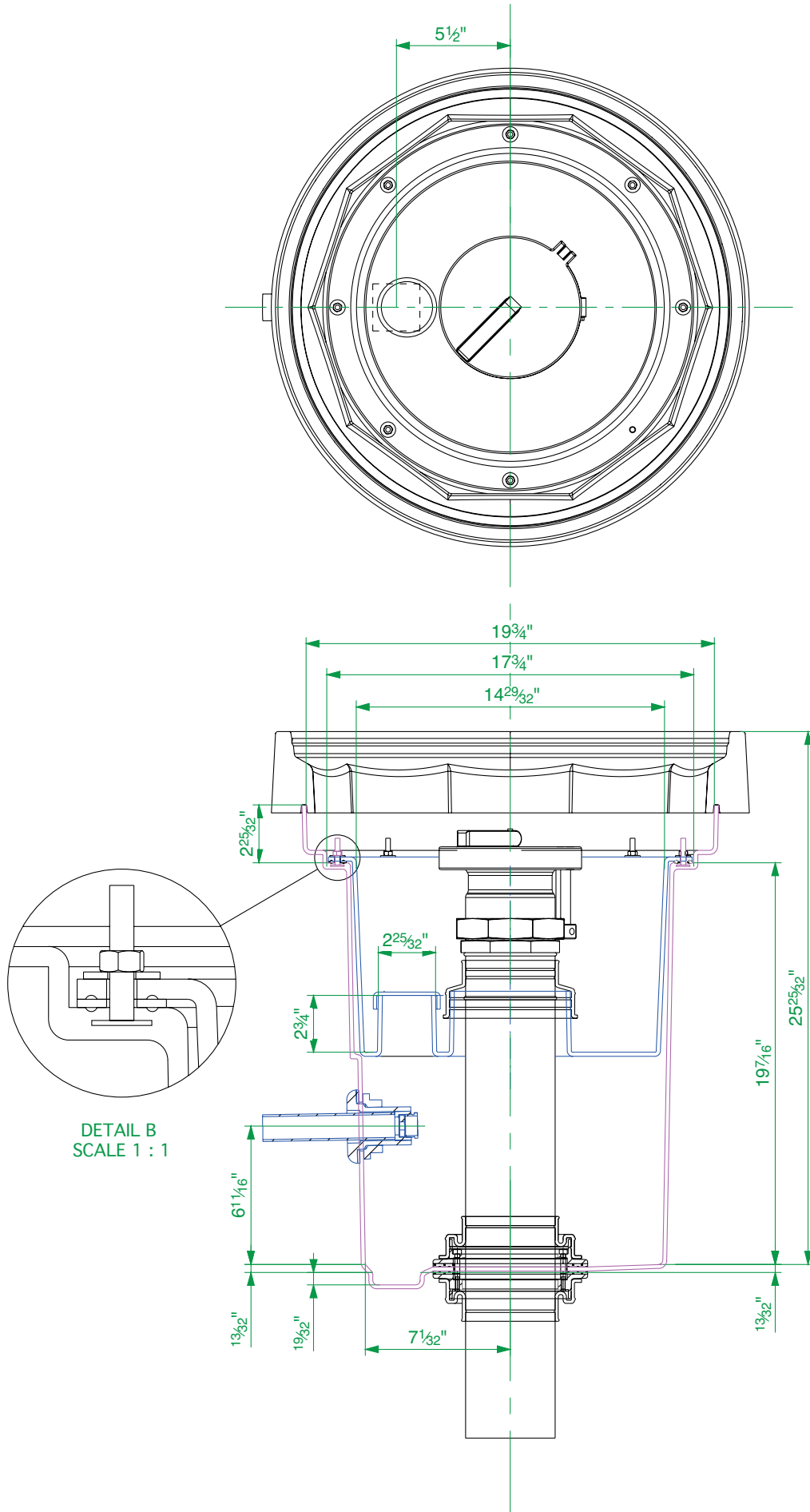
FIBRELITE 
PART OF OPW A DOVER COMPANY



Secondary contained Direct Fill Sump 18" solid base sump, with a sealed secondary spill container. 18" dia. flat sealed cover and frame. Includes PSB/110-SCS dia. fill pipe sealkit and grounding cable sealkit.

For reference purposes only. This drawing is not a specification. Order against product code only. To enable continuous improvement of our products, the designs and specifications are subject to change without notice.

FIBRELITE 
PART OF OPW A DOWER COMPANY



Secondary contained Direct Fill Sump 18" solid base sump, with a sealed secondary spill container. 18" dia. flat sealed cover and frame. Includes PSB/110-SCS dia. fill pipe sealkit and grounding cable sealkit.

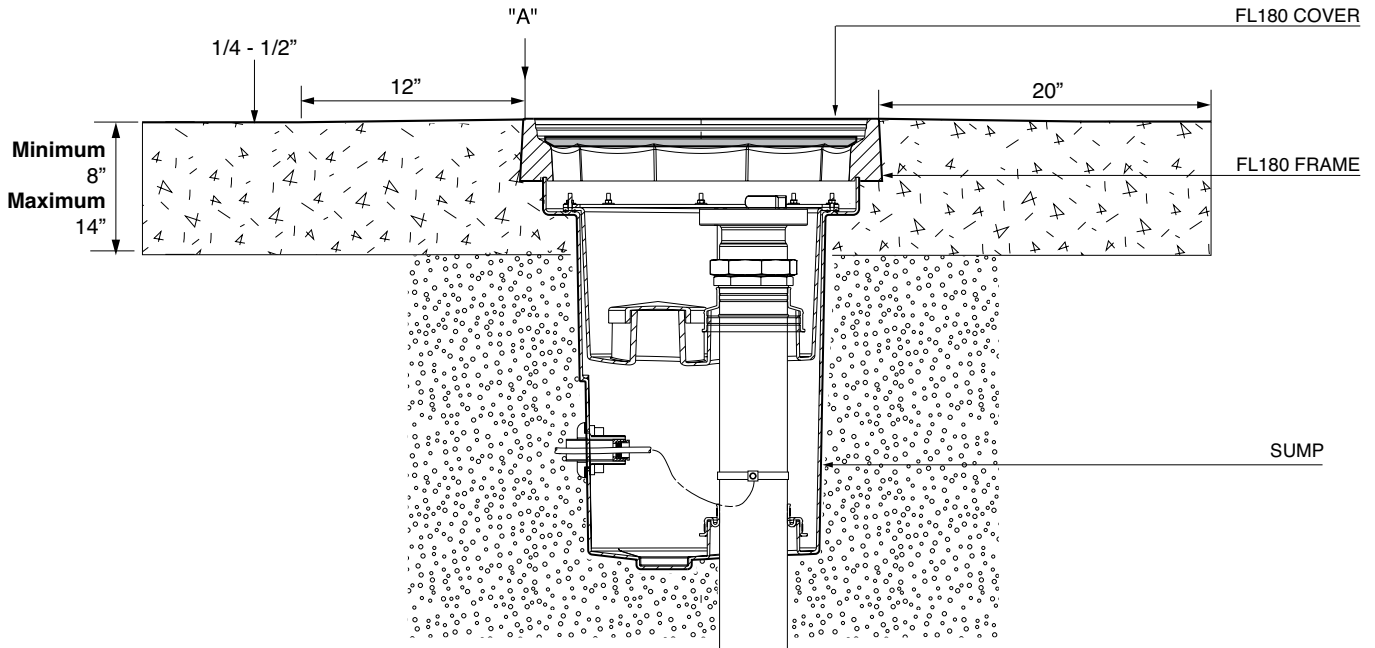
For reference purposes only. This drawing is not a specification. Order against product code only. To enable continuous improvement of our products, the designs and specifications are subject to change without notice.

FIBRELITE 
PART OF OPW A DOVER COMPANY

TYPICAL INSTALLATION

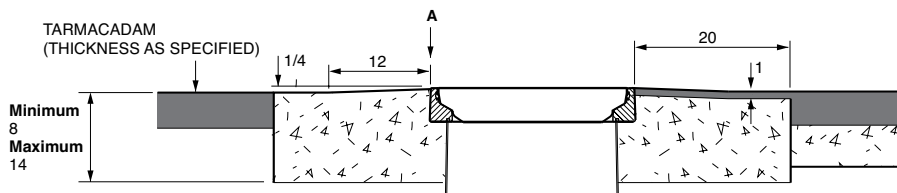
CONCRETE

VERY IMPORTANT
 OUTER EDGE "A" OF FRAME SET 1/4 - 1/2"
 ABOVE GENERAL GRADE AREA WITH
 CONCRETE RAMPED AWAY OVER 12".

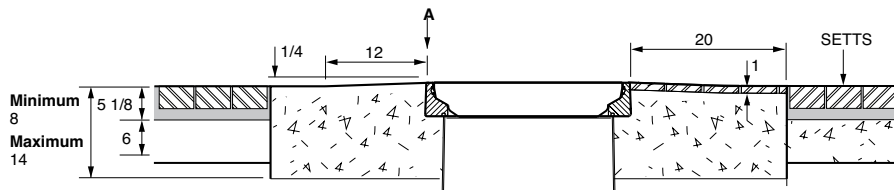


ALTERNATIVE INSTALLATION ADVICE

TARMACADAM



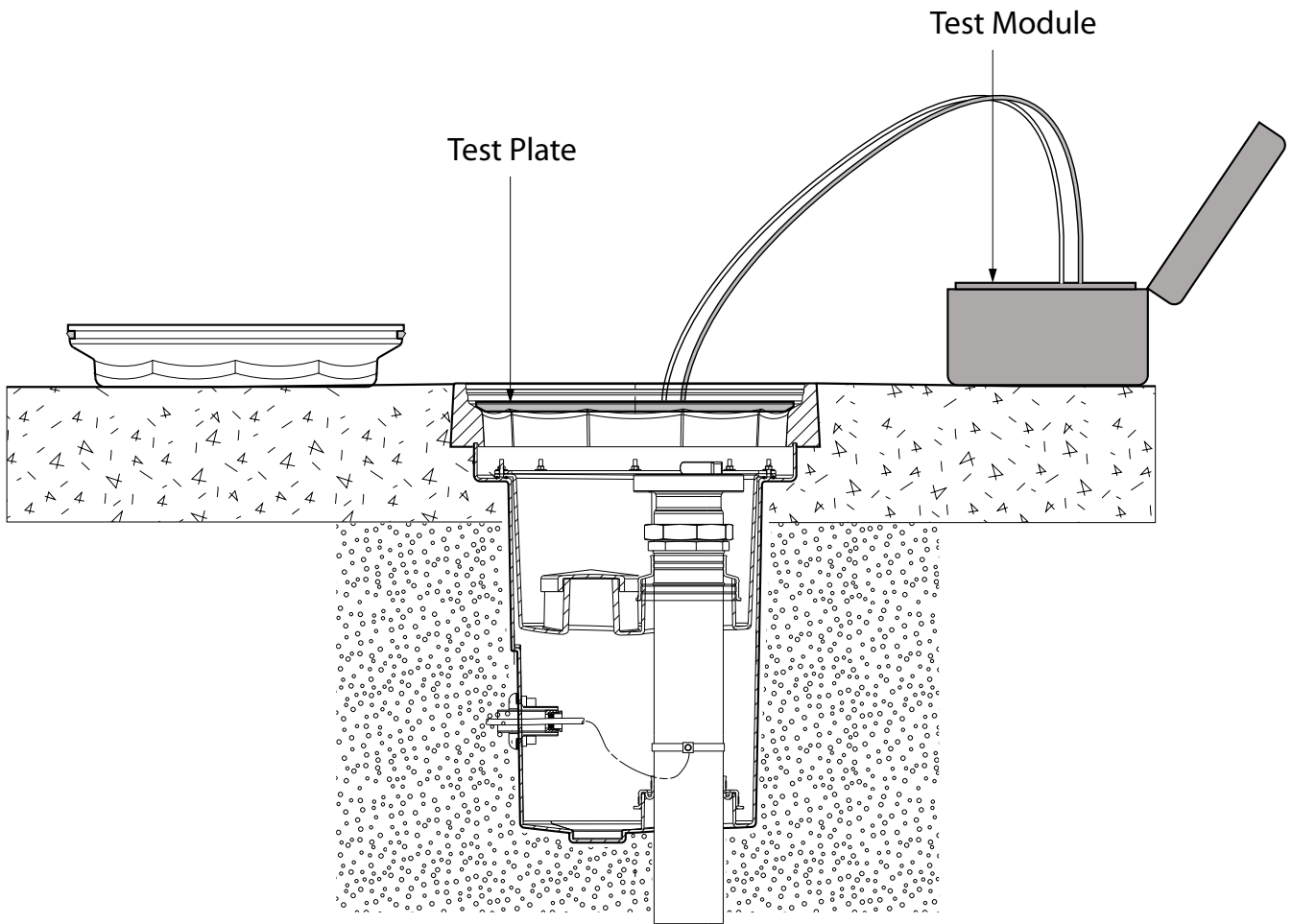
SETTS



Secondary contained Direct Fill Sump 18" solid base sump, with a sealed secondary spill container. 18" dia. flat sealed cover and frame. Includes PSB/110-SCS dia. fill pipe sealkit and grounding cable sealkit.

For reference purposes only. This drawing is not a specification. Order against product code only. To enable continuous improvement of our products, the designs and specifications are subject to change without notice.

FIBRELITE 
 PART OF OPW A DOWER COMPANY



Secondary contained Direct Fill Sump 18" solid base sump, with a sealed secondary spill container. 18" dia. flat sealed cover and frame. Includes PSB/110-SCS dia. fill pipe sealkit and grounding cable sealkit.

For reference purposes only. This drawing is not a specification. Order against product code only. To enable continuous improvement of our products, the designs and specifications are subject to change without notice.

FIBRELITE 
PART OF OPW A DOVER COMPANY