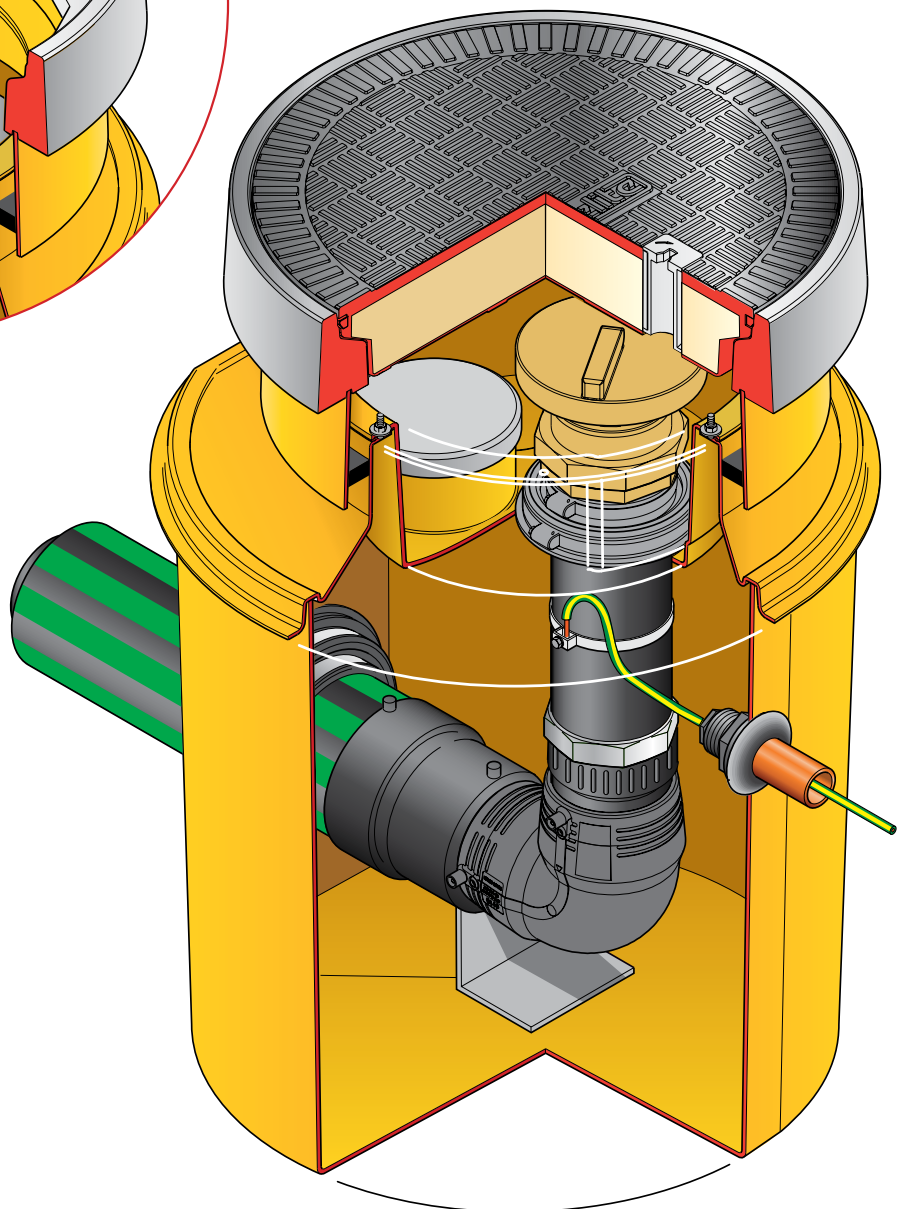
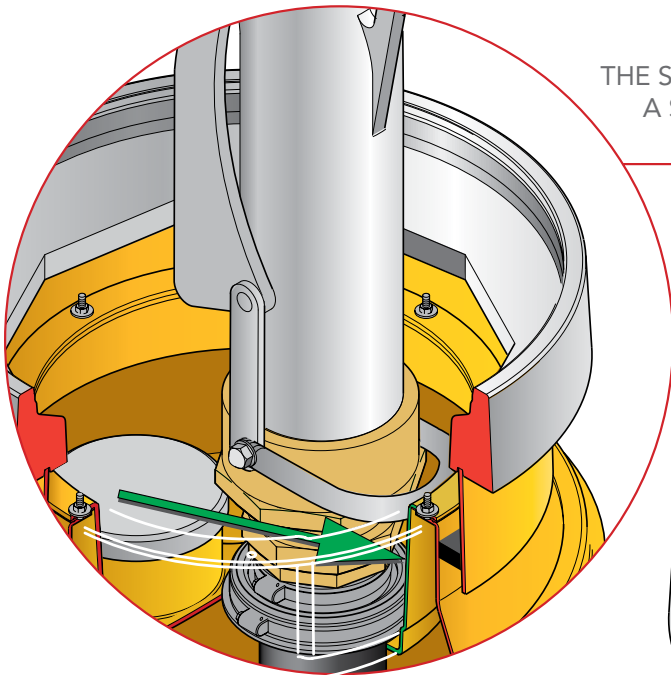


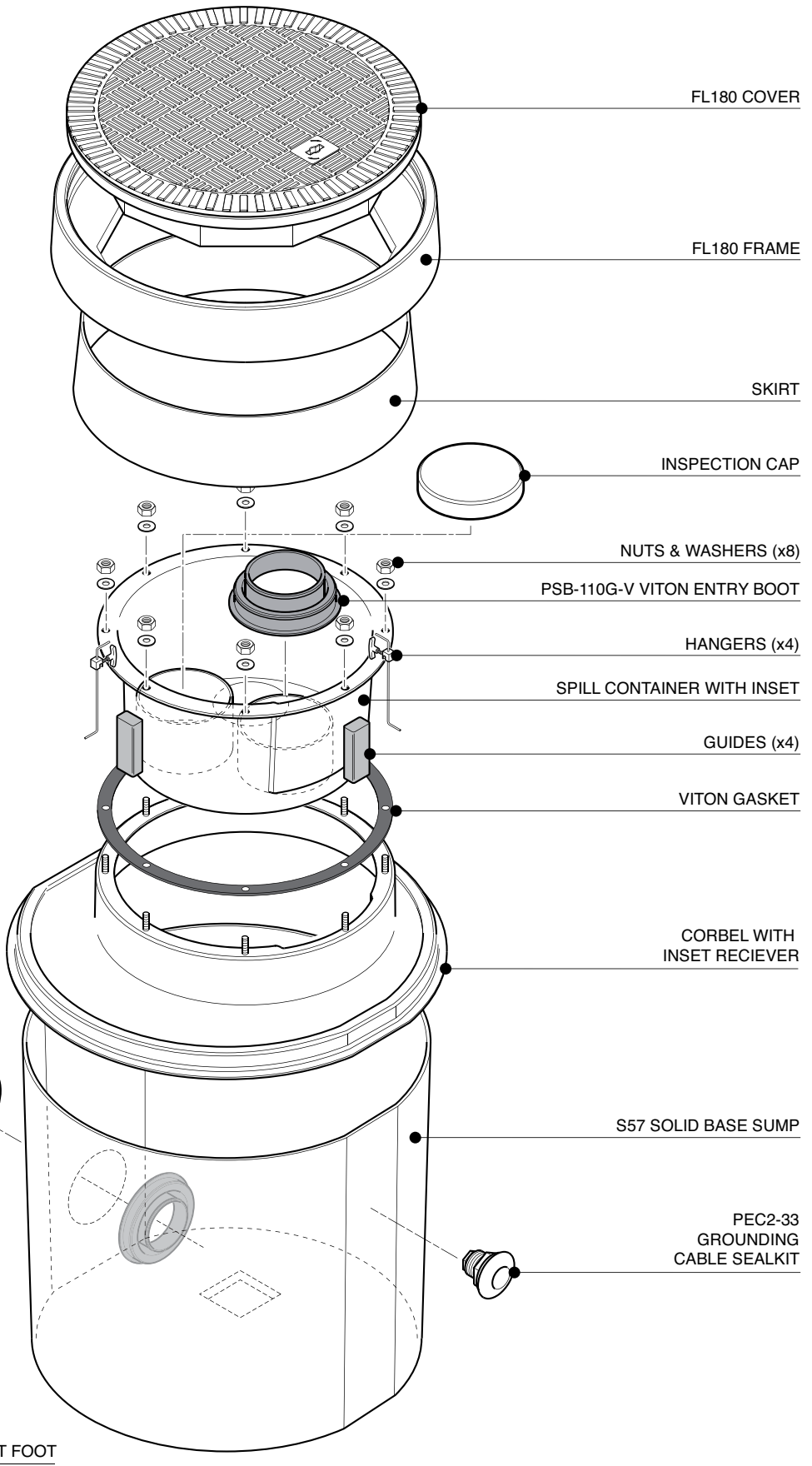
THE SPILL CONTAINER AND AND CORBEL CONTAIN
A SPECIAL INSET SECTION TO ALLOW FOR EASY
ACCESS OF GOOSENECK DELIVERY HOSES



Secondary contained remote fill sump. 23" dia. x 25" deep solid base sump with a sealed secondary spill container. 18" dia flat sealed cover and frame. Sealkits included.

For reference purposes only. This drawing is not a specification. Order against product code only. To enable continuous improvement of our products, the designs and specifications are subject to change without notice.

FIBRELITE 
PART OF OPW A DOVER COMPANY



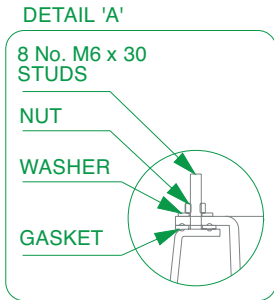
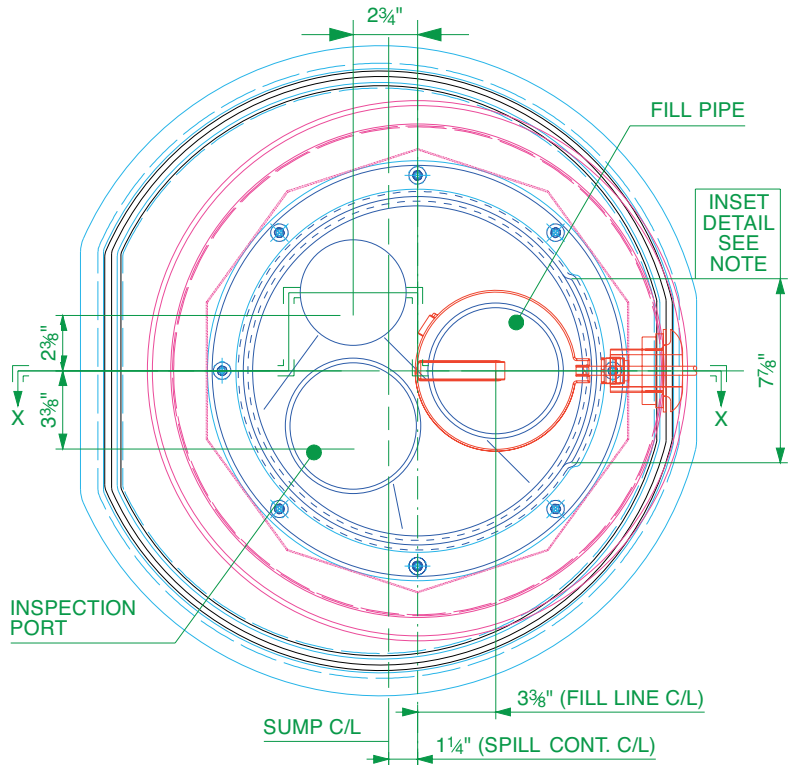
Secondary contained remote fill sump. 23" dia. x 25" deep solid base sump with a sealed secondary spill container. 18" dia flat sealed cover and frame. Sealkits included.

For reference purposes only. This drawing is not a specification. Order against product code only. To enable continuous improvement of our products, the designs and specifications are subject to change without notice.



ITEM	DESCRIPTION	CODE	QTY
1	Fibrelite FL180 Cover	FL180	1
2	Fibrelite FL180 Frame	FL180F	1
3	Fibrelite 5 1/8" Deep Skirt	FL180-SK130	1
4	Spill Container Gasket	--	1
5	Fibrelite Self levelling Seal	S-CS-SEALANT	1
6	Fibrelite Corbel	S57-3180-CORBEL	1
7	Fibrelite Spill Container	S57-3180-OF-SC	1
8	Fibrelite Inspection Cap	--	1
9	Fibrelite Grounding Cable Seal	PEC2-33	1
10	Fibrelite Grounding Cable Strap	--	1
11	Fibrelite 23" x 25" deep Sump	S57	1
12	Fibrelite Pipe Support Foot	PSF-110	1

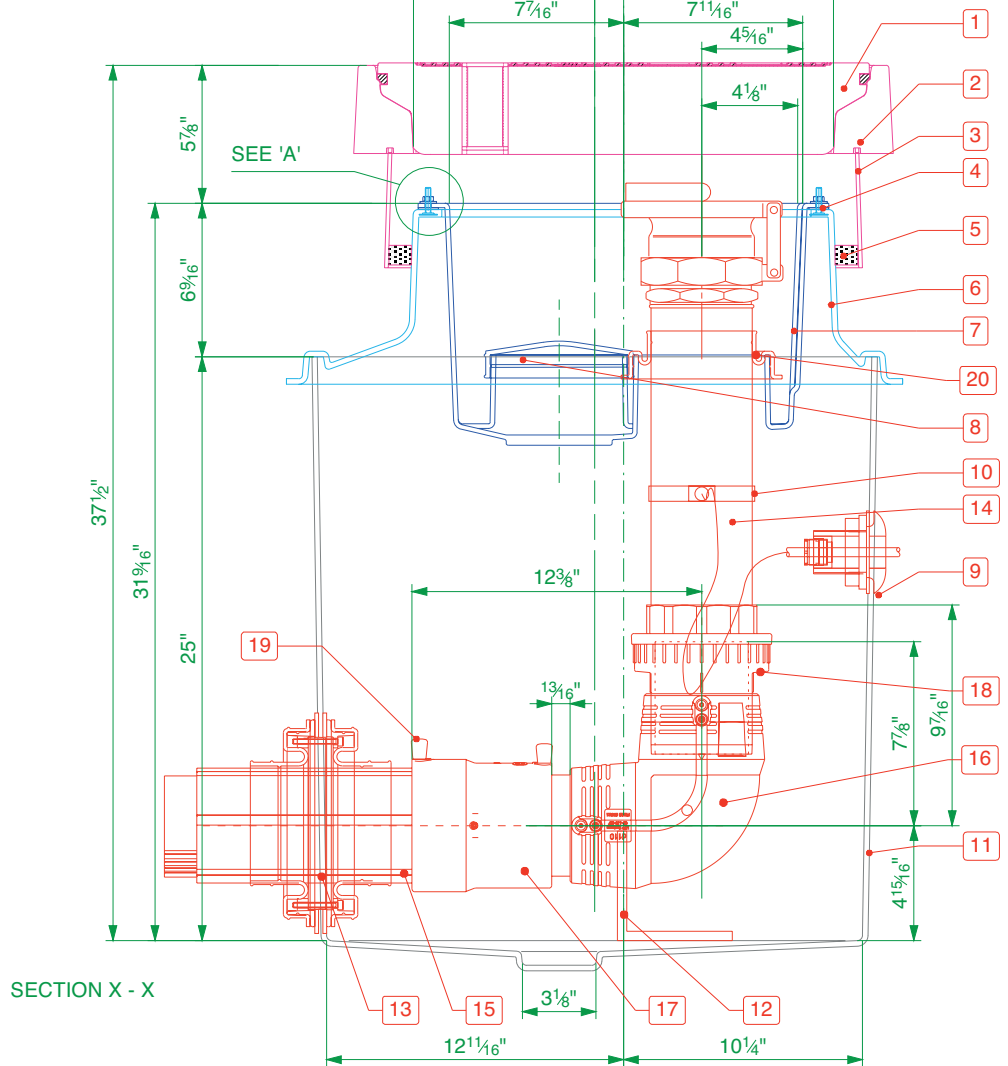
ITEM	4" FILL	CODE	QTY
13	Fibrelite Viton Ø4 15/16" Double Sided Pipe Entry Seal	PSBD-125-V	1
14	Riser Pipe 4"	001-110-XXX-E	1
15	EN Pipe - 4 15/16" Secondary	000-125-XXX-SC-E	1
16	Primary 90° Elbow	03-110-EIF	1
17	REDUCER	49-125-110-TP	1
18	4 5/16", 4" Female	92-110-BSPT	1
19	CAP,ANTI-STATIC,12	ESI-CAP-012	6
20	PSB-110G Viton Entry Boot	PSB-110G-V	1



NOTE:

THE SPILL CONTAINER AND CORBEL CONTAIN A SPECIAL INSET SECTION TO ALLOW FOR EASY ACCESS OF GOOSENECK DELIVERY HOSES

Spill Containment Capacity = 5.8 US Gal.



Secondary contained remote fill sump. 23" dia. x 25" deep solid base sump with a sealed secondary spill container. 18" dia flat sealed cover and frame. Sealkits included.

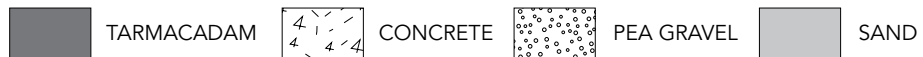
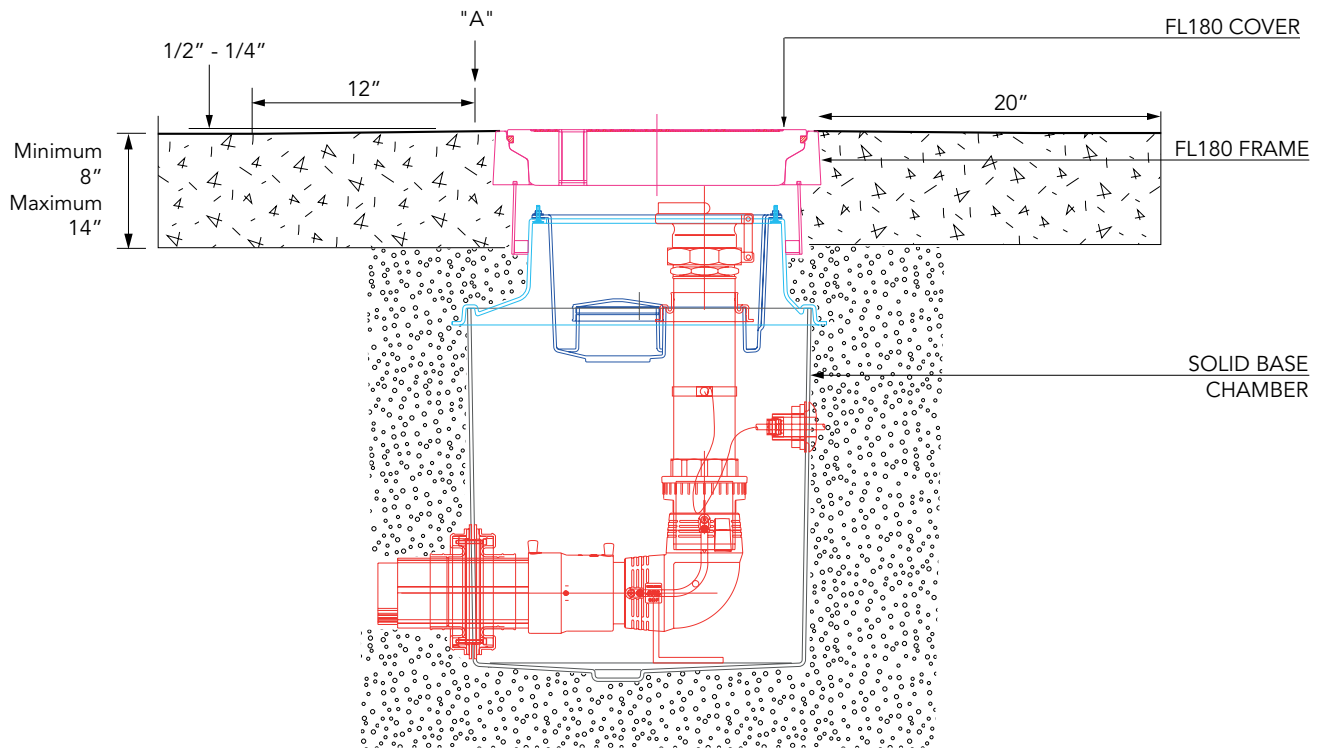
For reference purposes only. This drawing is not a specification. Order against product code only. To enable continuous improvement of our products, the designs and specifications are subject to change without notice.



VERY IMPORTANT
 OUTER EDGE "A" OF FRAME SET 1/2" - 1/4"
 ABOVE GENERAL FORECOURT AREA WITH
 CONCRETE RAMPED AWAY OVER 12".

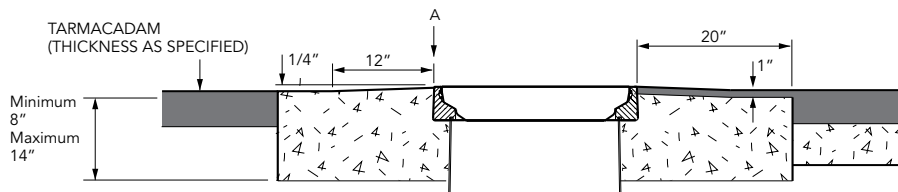
TYPICAL INSTALLATION

CONCRETE

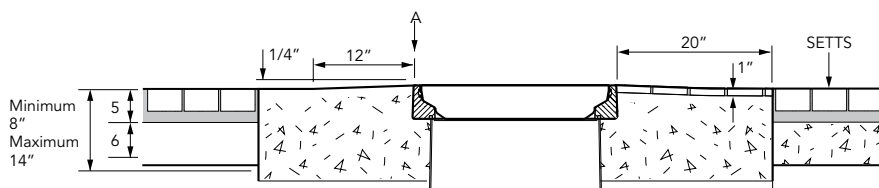


ALTERNATIVE INSTALLATION ADVICE

TARMACADAM



SETTS



Secondary contained remote fill sump. 23" dia. x 25" deep solid base sump with a sealed secondary spill container. 18" dia flat sealed cover and frame. Sealkits included.

For reference purposes only. This drawing is not a specification. Order against product code only. To enable continuous improvement of our products, the designs and specifications are subject to change without notice.

