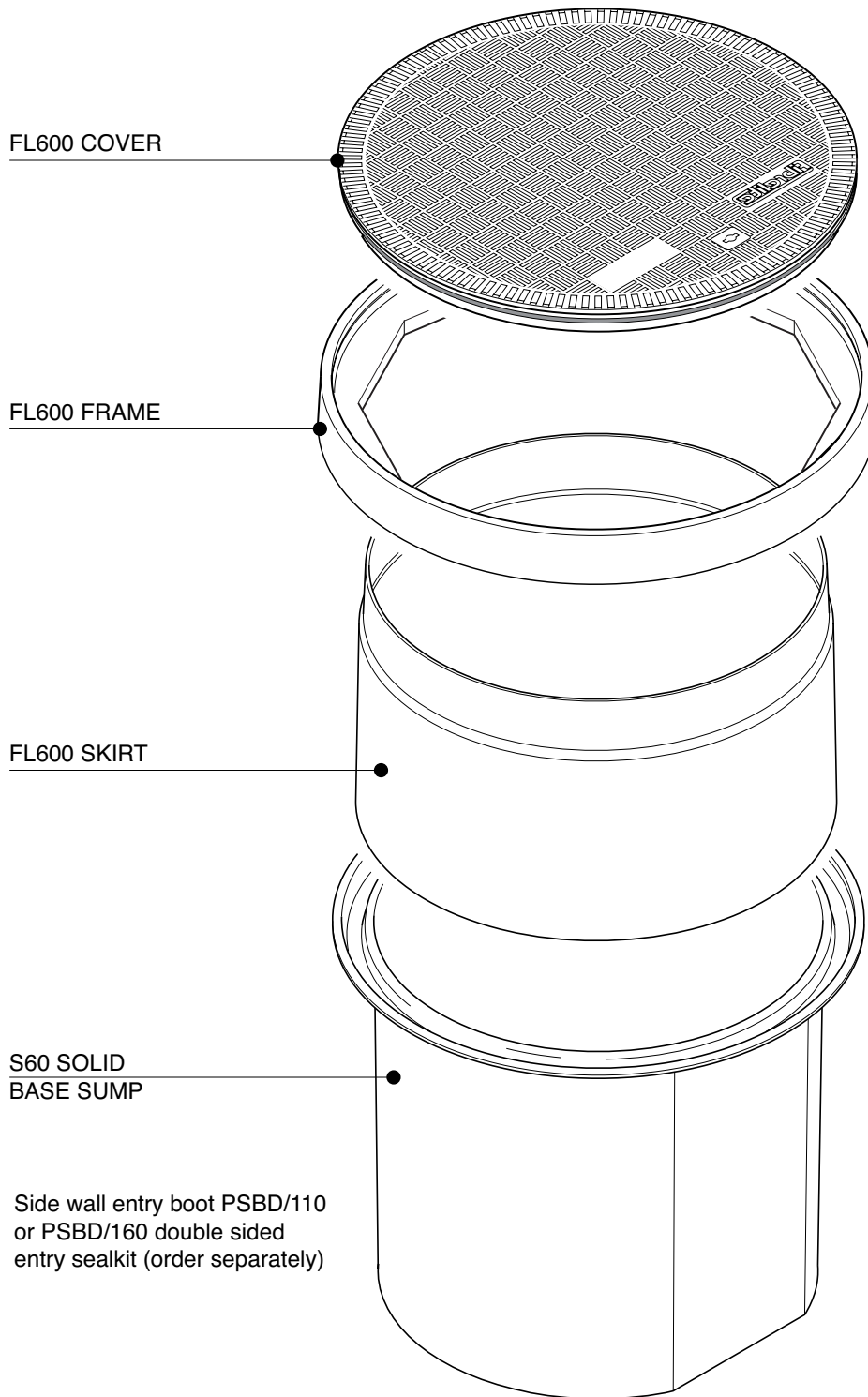


Overfill Prevention Valve Sump. 24" dia x 25" deep, solid base sump with an adjustable skirt, 24" dia watertight flat sealed cover and frame. Order pipe entry kits separately

For reference purposes only. This drawing is not a specification. Order against product code only. To enable continuous improvement of our products, the designs and specifications are subject to change without notice.

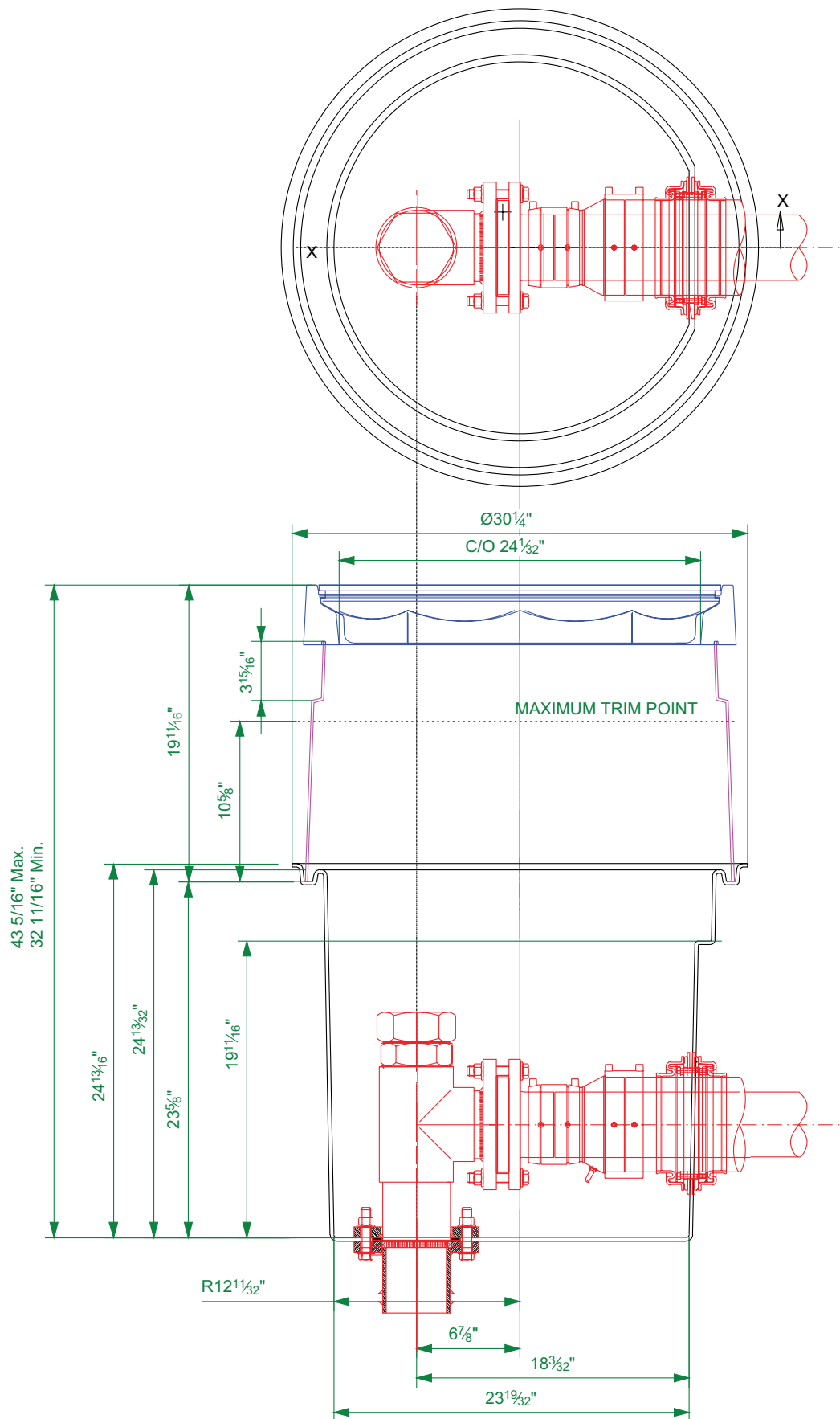
**FIBRELITE**   
PART OF OPW A DOVER COMPANY



Overfill Prevention Valve Sump. 24" dia x 25" deep, solid base sump with an adjustable skirt, 24" dia watertight flat sealed cover and frame. Order pipe entry kits separately

For reference purposes only. This drawing is not a specification. Order against product code only. To enable continuous improvement of our products, the designs and specifications are subject to change without notice.

**FIBRELITE**   
PART OF OPW A DOVER COMPANY



Overfill Prevention Valve Sump, 24" dia x 25" deep, solid base sump with an adjustable skirt, 24" dia watertight flat sealed cover and frame. Order pipe entry kits separately

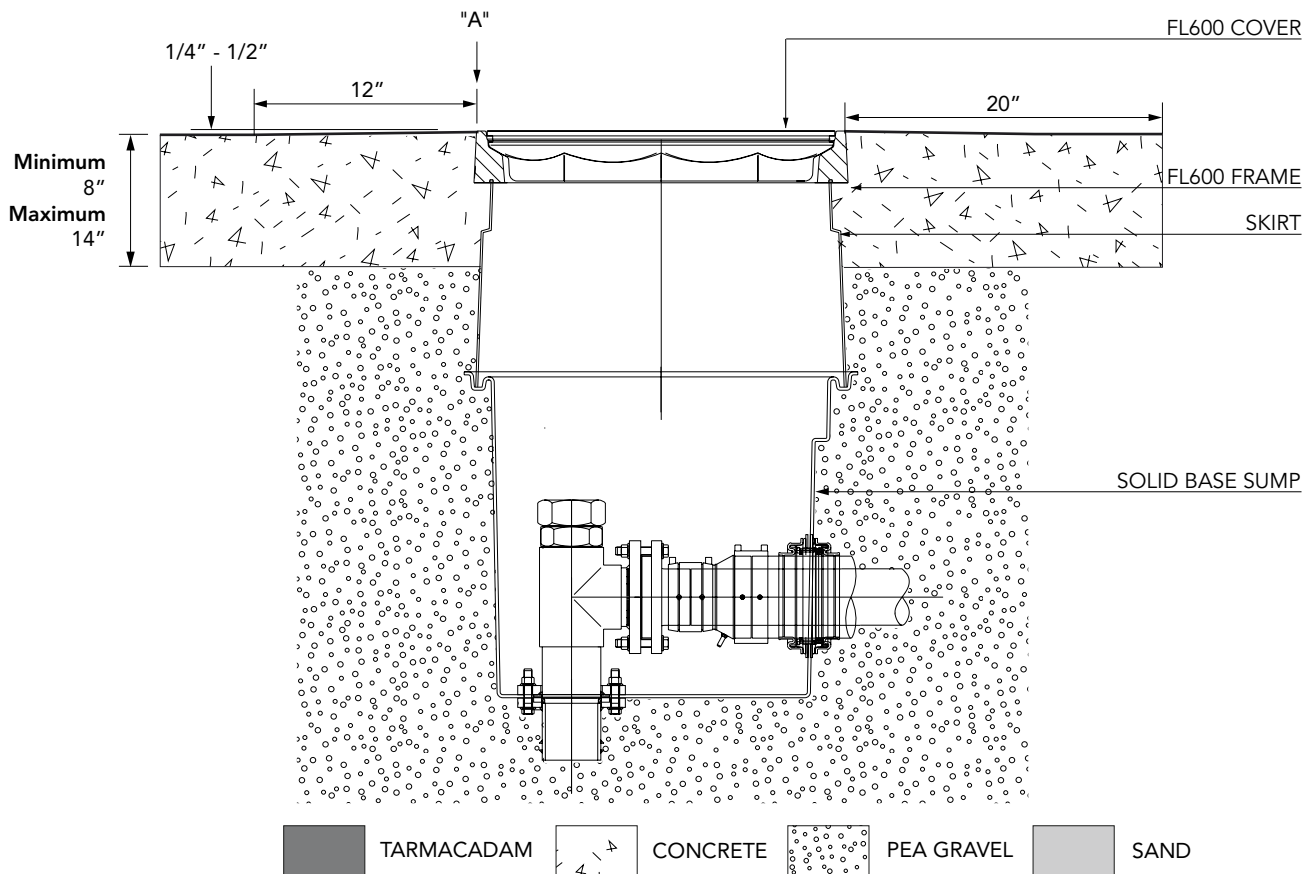
For reference purposes only. This drawing is not a specification. Order against product code only. To enable continuous improvement of our products, the designs and specifications are subject to change without notice.

**FIBRELITE**   
PART OF OPW A DOVER COMPANY

**VERY IMPORTANT**  
 OUTER EDGE "A" OF FRAME SET 1/4" - 1/2"  
 ABOVE GENERAL FORECOURT AREA WITH  
 CONCRETE RAMPED AWAY OVER 12"

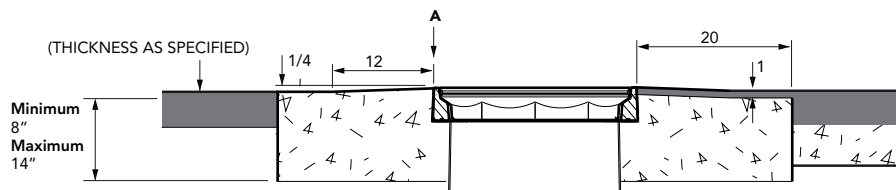
**TYPICAL INSTALLATION**

**CONCRETE**

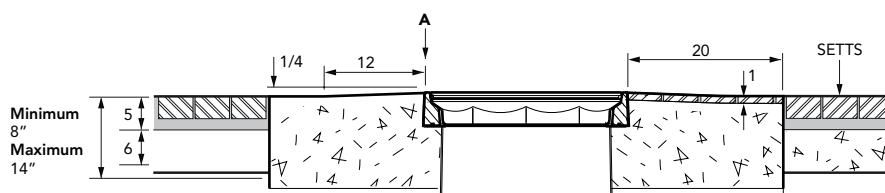


**ALTERNATIVE INSTALLATION ADVICE**

**TARMACADAM**



**SETTS**



Overflow Prevention Valve Sump, 24" dia x 25" deep, solid base sump with an adjustable skirt, 24" dia watertight flat sealed cover and frame. Order pipe entry kits separately

For reference purposes only. This drawing is not a specification. Order against product code only. To enable continuous improvement of our products, the designs and specifications are subject to change without notice.

