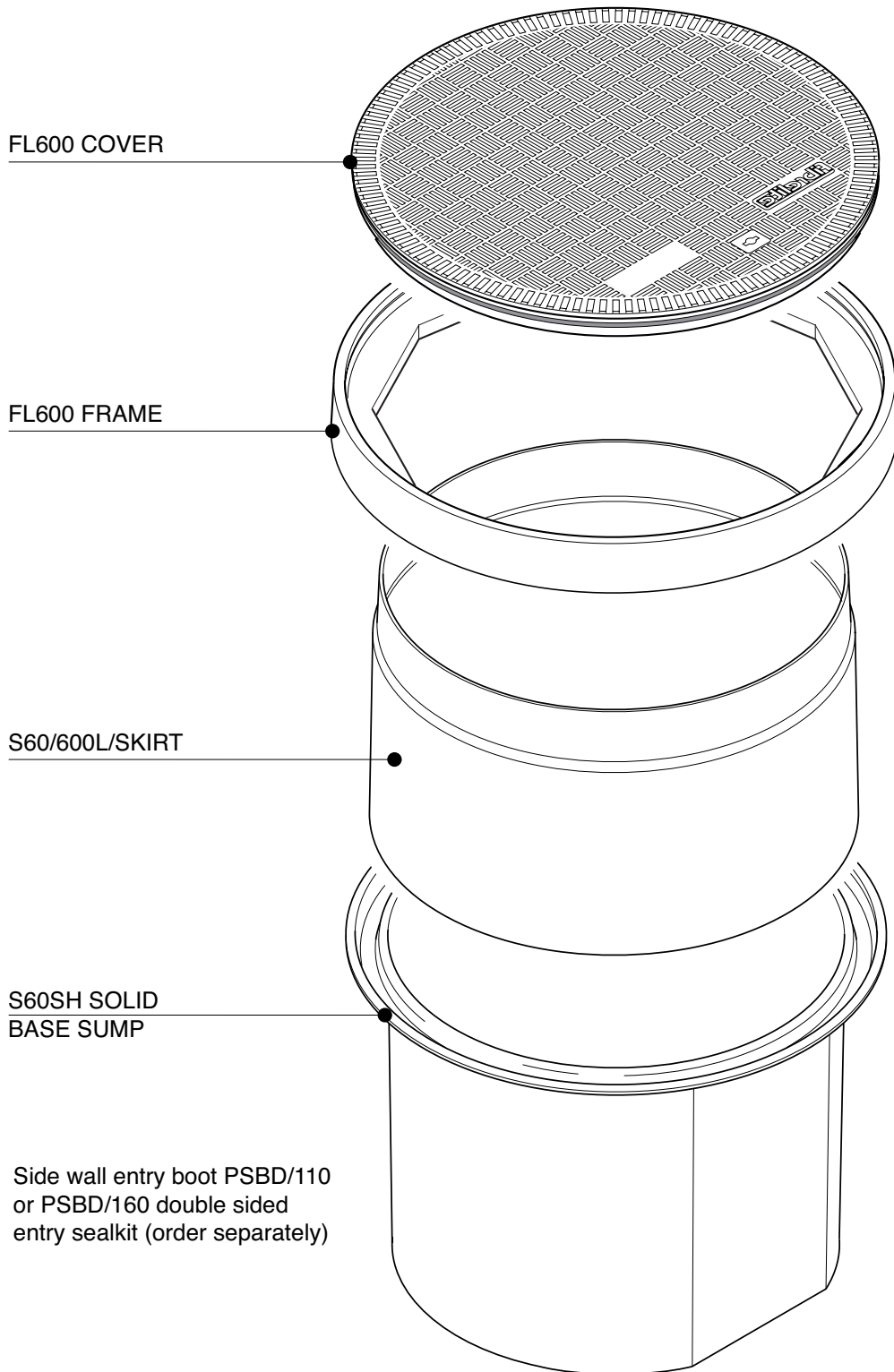


Overfill Prevention Valve Sump. 24" dia x 16" deep, solid base sump with an adjustable skirt, 24" dia watertight flat sealed cover and frame. Order pipe entry kits separately.

For reference purposes only. This drawing is not a specification. Order against product code only. To enable continuous improvement of our products, the designs and specifications are subject to change without notice.

FIBRELITE 
PART OF OPW A DOVER COMPANY



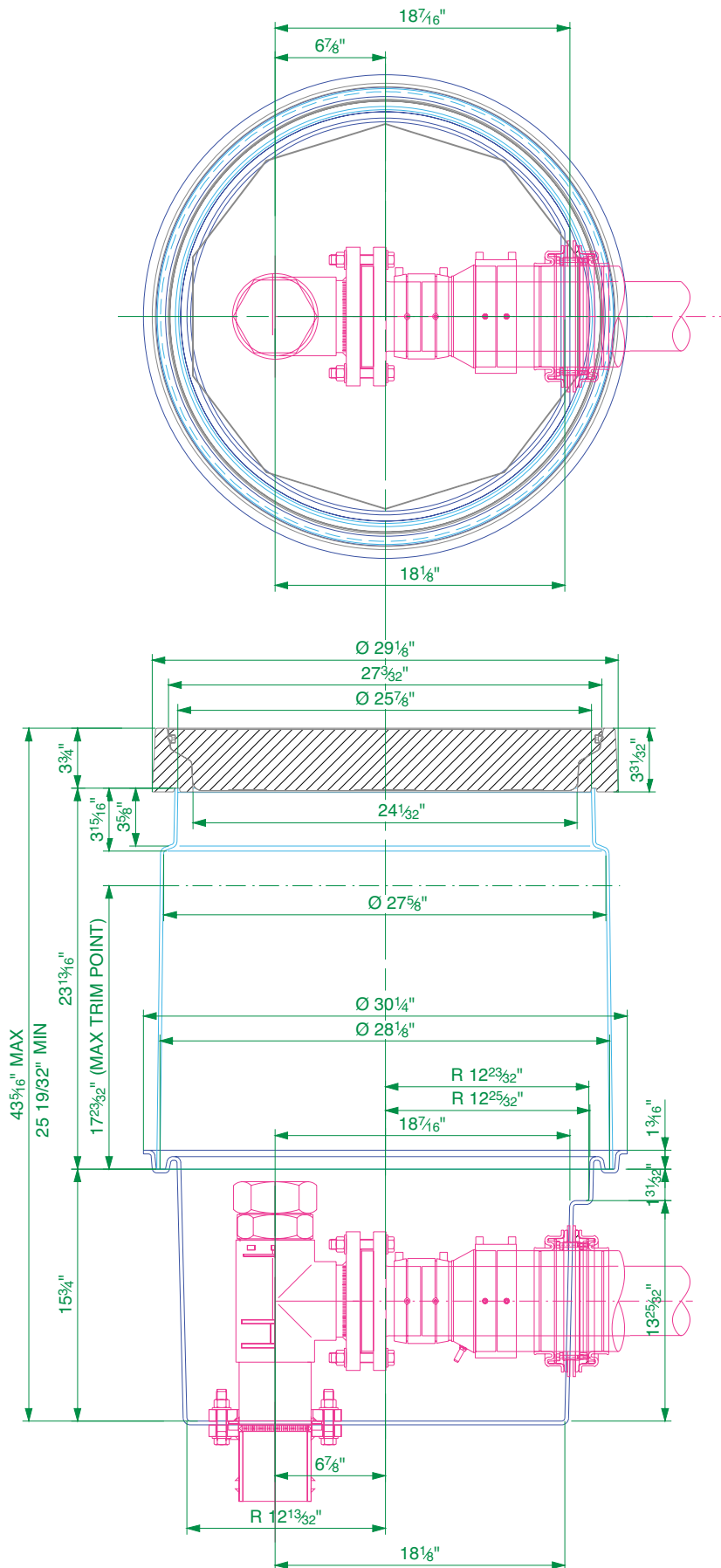
FL600 COVER

FL600 FRAME

S60/600L/SKIRT

S60SH SOLID
BASE SUMP

Side wall entry boot PSBD/110
or PSBD/160 double sided
entry sealkit (order separately)



Overfill Prevention Valve Sump, 24" dia x 16" deep, solid base sump with an adjustable skirt, 24" dia watertight flat sealed cover and frame. Order pipe entry kits separately.

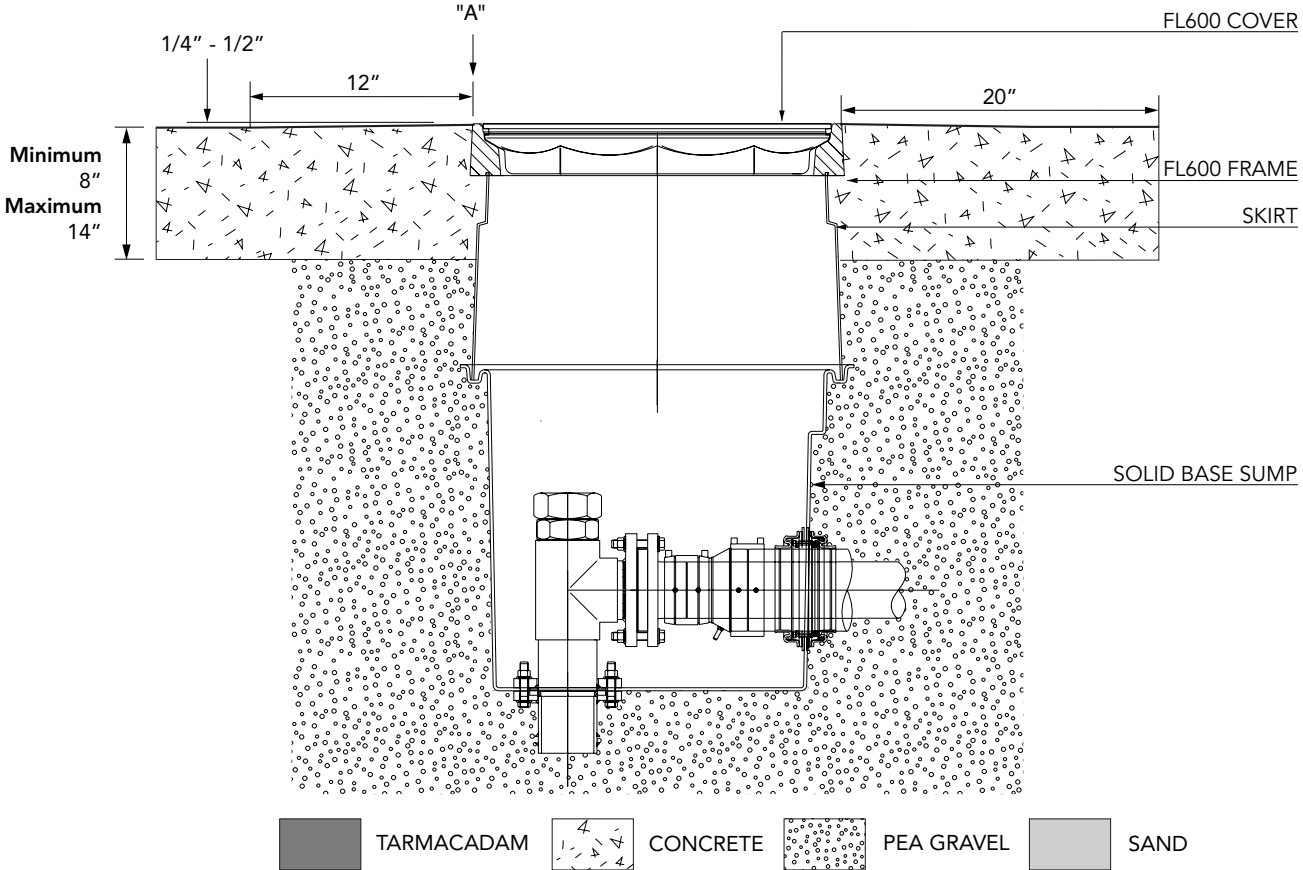
For reference purposes only. This drawing is not a specification. Order against product code only. To enable continuous improvement of our products, the designs and specifications are subject to change without notice.

FIBRELITE 
PART OF OPW A DOVER COMPANY

VERY IMPORTANT
 OUTER EDGE "A" OF FRAME SET 1/4" - 1/2"
 ABOVE GENERAL FORECOURT AREA WITH
 CONCRETE RAMPED AWAY OVER 12"

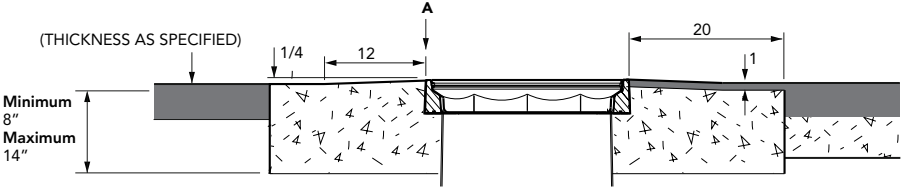
TYPICAL INSTALLATION

CONCRETE

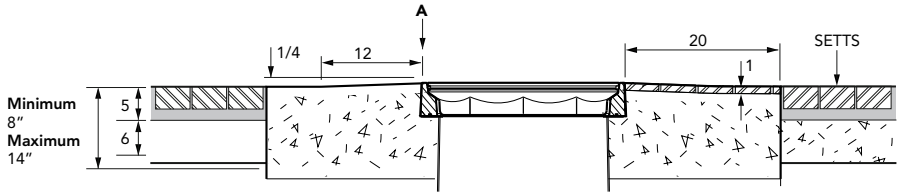


ALTERNATIVE INSTALLATION ADVICE

TARMACADAM



SETTS



Overflow Prevention Valve Sump, 24" dia x 16" deep, solid base sump with an adjustable skirt, 24" dia watertight flat sealed cover and frame. Order pipe entry kits separately.

For reference purposes only. This drawing is not a specification. Order against product code only. To enable continuous improvement of our products, the designs and specifications are subject to change without notice.

