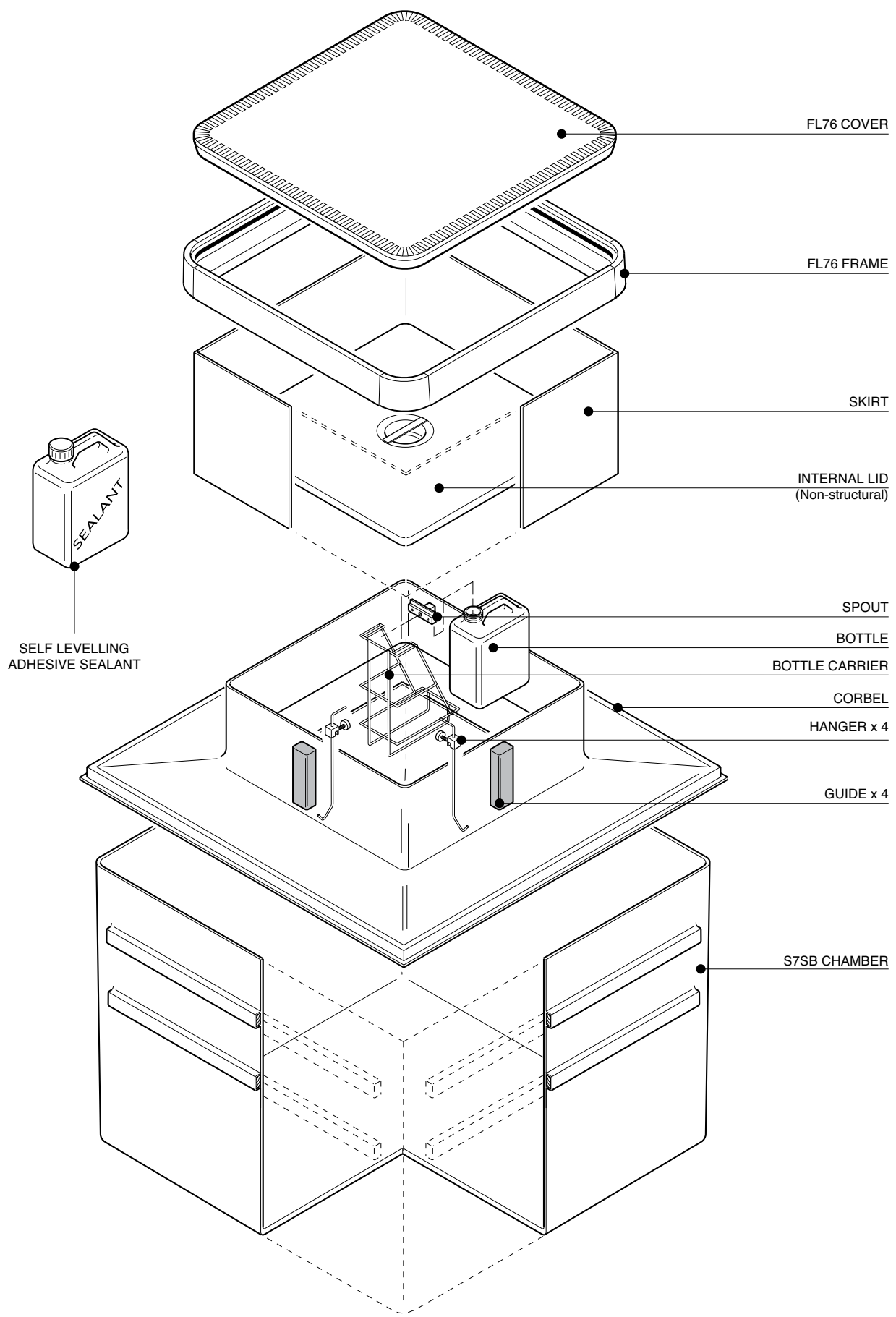


48" square solid base chamber with a corbel, non-structural lid, adjustable skirt, frame and square 30" flat sealed cover.

For reference purposes only. This drawing is not a specification. Order against product code only. To enable continuous improvement of our products, the designs and specifications are subject to change without notice.

FIBRELITE 
PART OF OPW A DOVER COMPANY



FL76 COVER

FL76 FRAME

SKIRT

INTERNAL LID
(Non-structural)

SELF LEVELLING
ADHESIVE SEALANT

SPOUT

BOTTLE

BOTTLE CARRIER

CORBEL

HANGER x 4

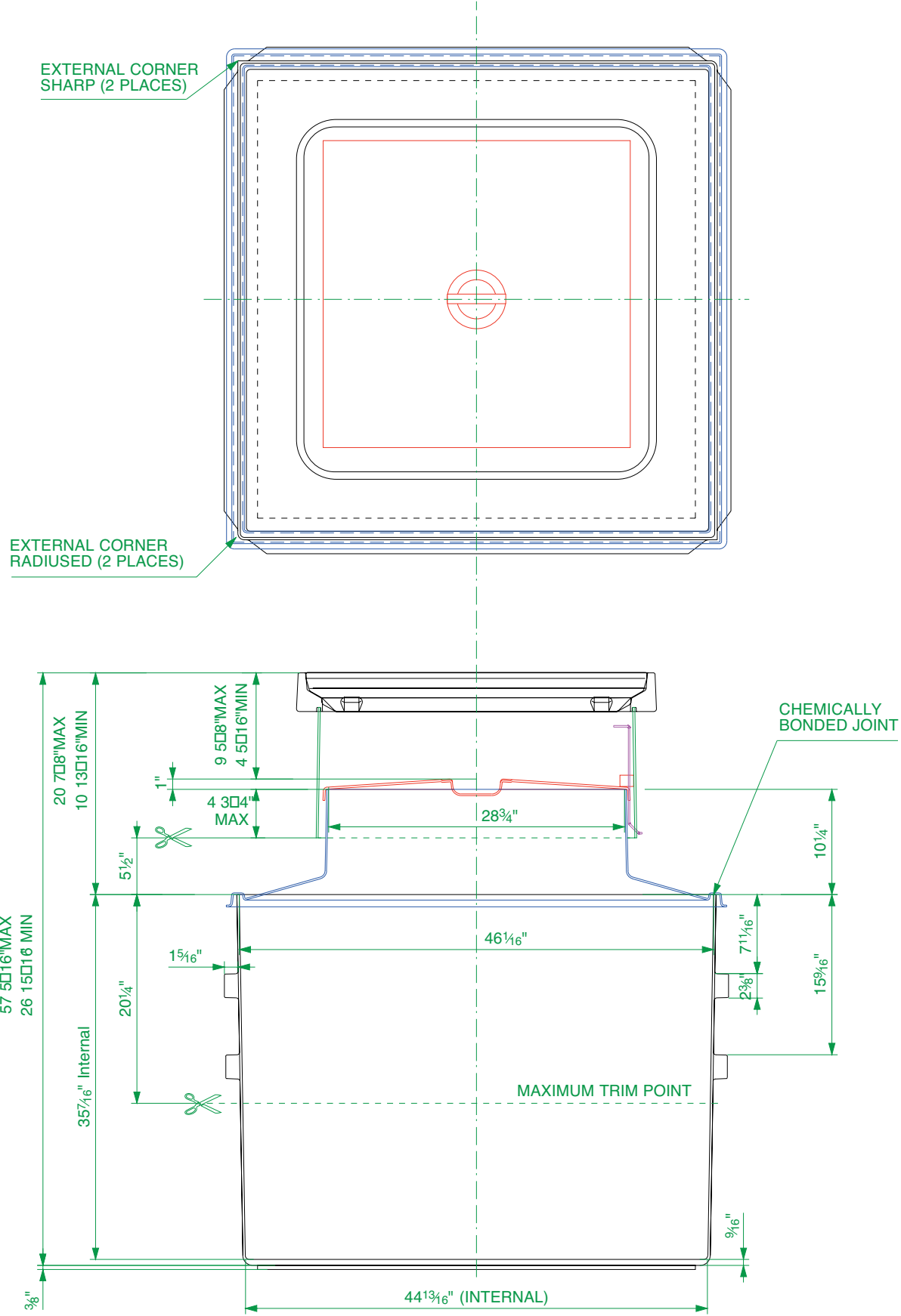
GUIDE x 4

S7SB CHAMBER

48" square solid base chamber with a corbel, non-structural lid, adjustable skirt, frame and square 30" flat sealed cover.

For reference purposes only. This drawing is not a specification. Order against product code only. To enable continuous improvement of our products, the designs and specifications are subject to change without notice.





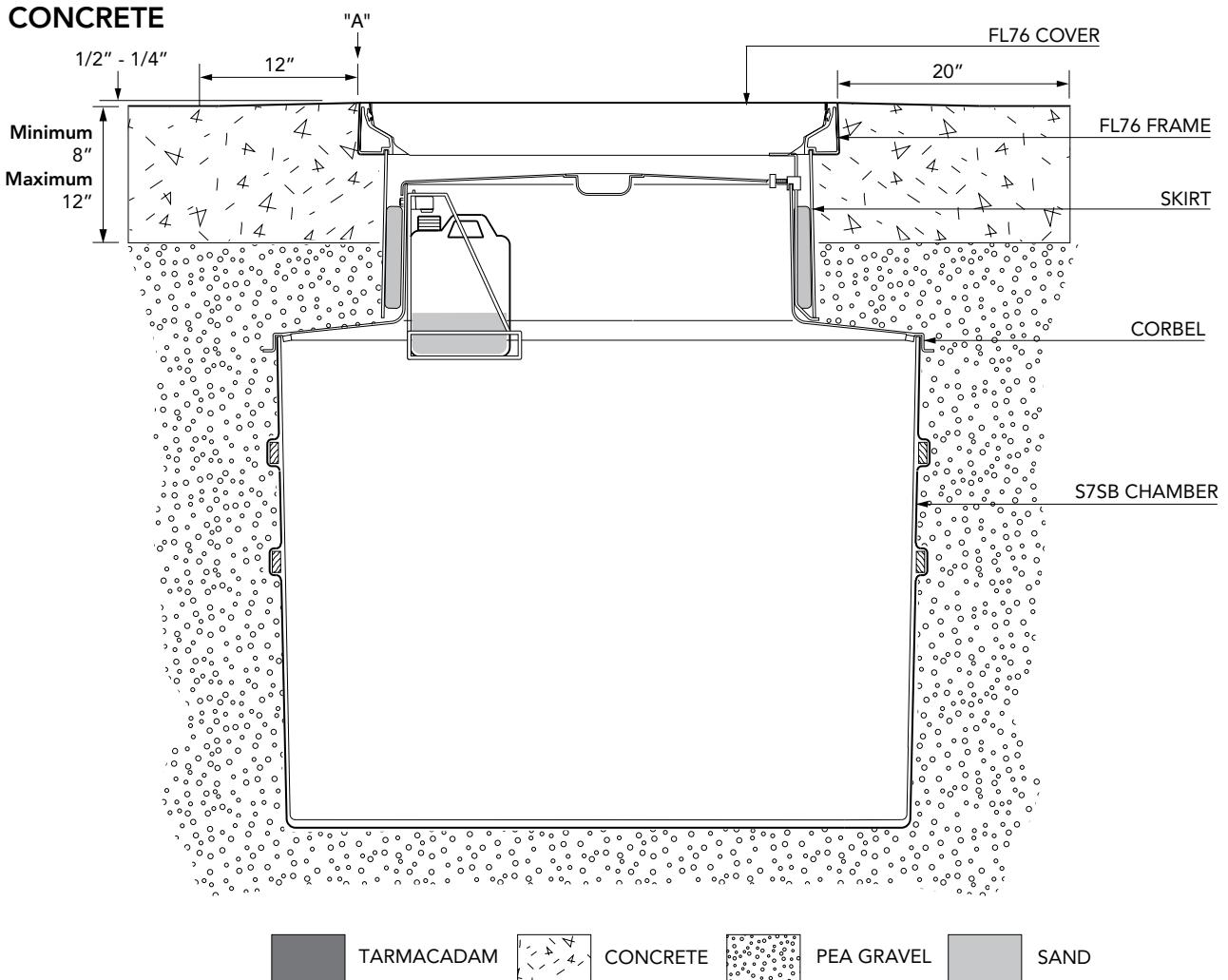
48" square solid base chamber with a corbel, non-structural lid, adjustable skirt, frame and square 30" flat sealed cover.

For reference purposes only. This drawing is not a specification. Order against product code only. To enable continuous improvement of our products, the designs and specifications are subject to change without notice.



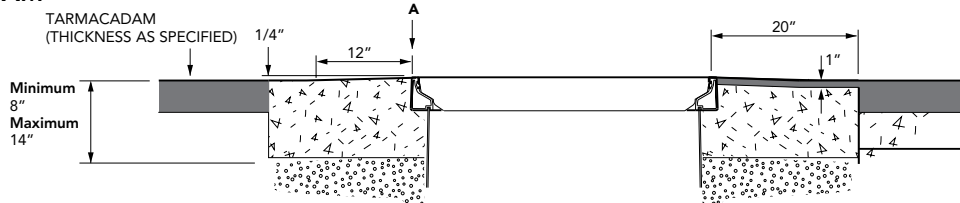
VERY IMPORTANT
 OUTER EDGE "A" OF FRAME SET 1/2" - 1/4"
 ABOVE GENERAL FORECOURT AREA WITH
 CONCRETE RAMPED AWAY OVER 12".

TYPICAL INSTALLATION

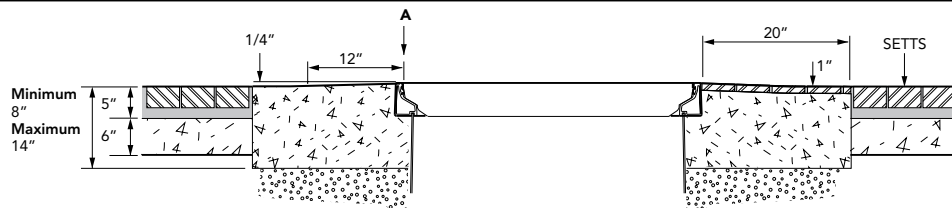


ALTERNATIVE INSTALLATION ADVICE

TARMACADAM



SETTS



48" square solid base chamber with a corbel, non-structural lid, adjustable skirt, frame and square 30" flat sealed cover.

For reference purposes only. This drawing is not a specification. Order against product code only. To enable continuous improvement of our products, the designs and specifications are subject to change without notice.

FIBRELITE 
 PART OF OPW A DOVER COMPANY