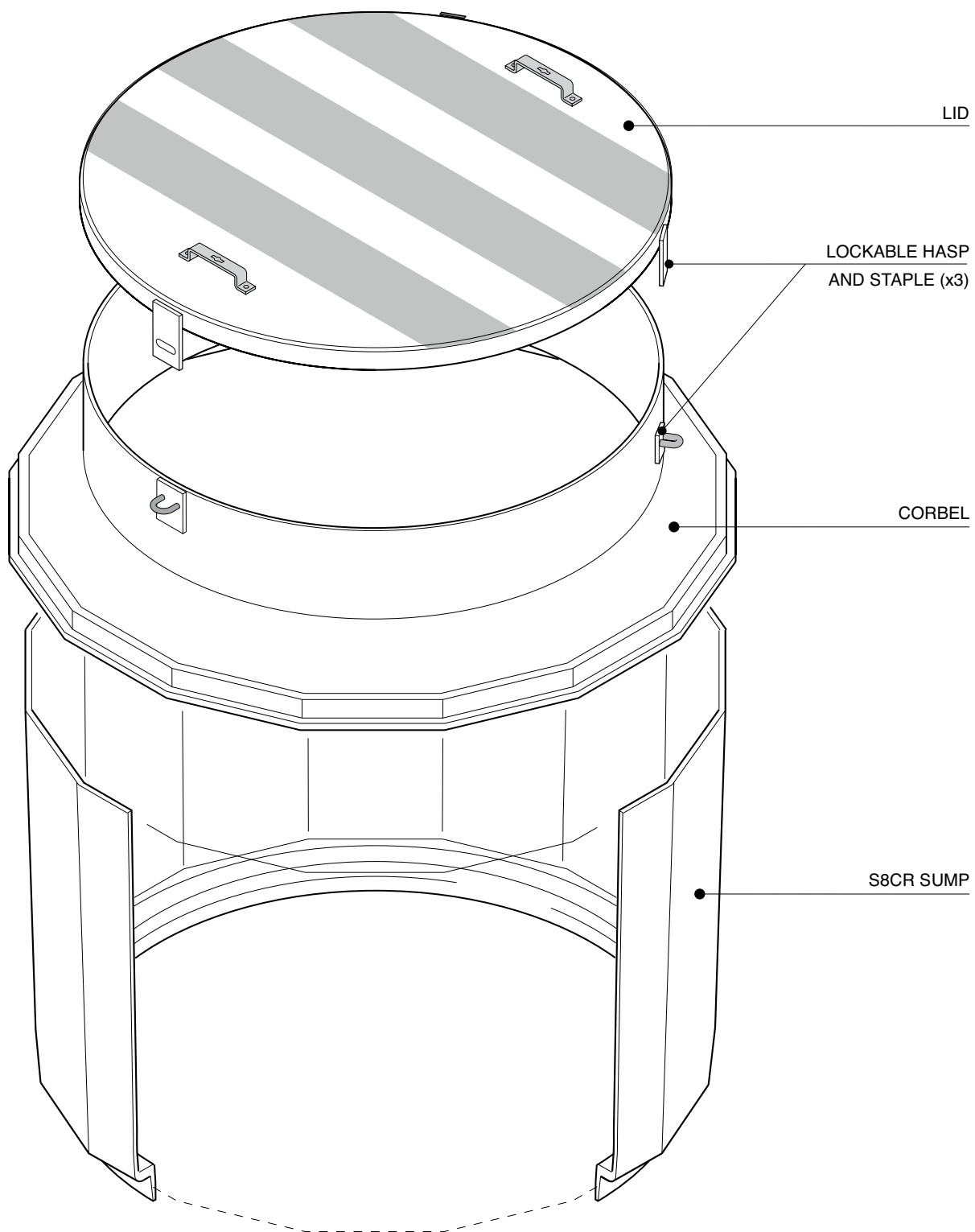


47" diameter sump with collar ring base, corbel and lockable lid. Designed for green area applications.

For reference purposes only. This drawing is not a specification. Order against product code only. To enable continuous improvement of our products, the designs and specifications are subject to change without notice.

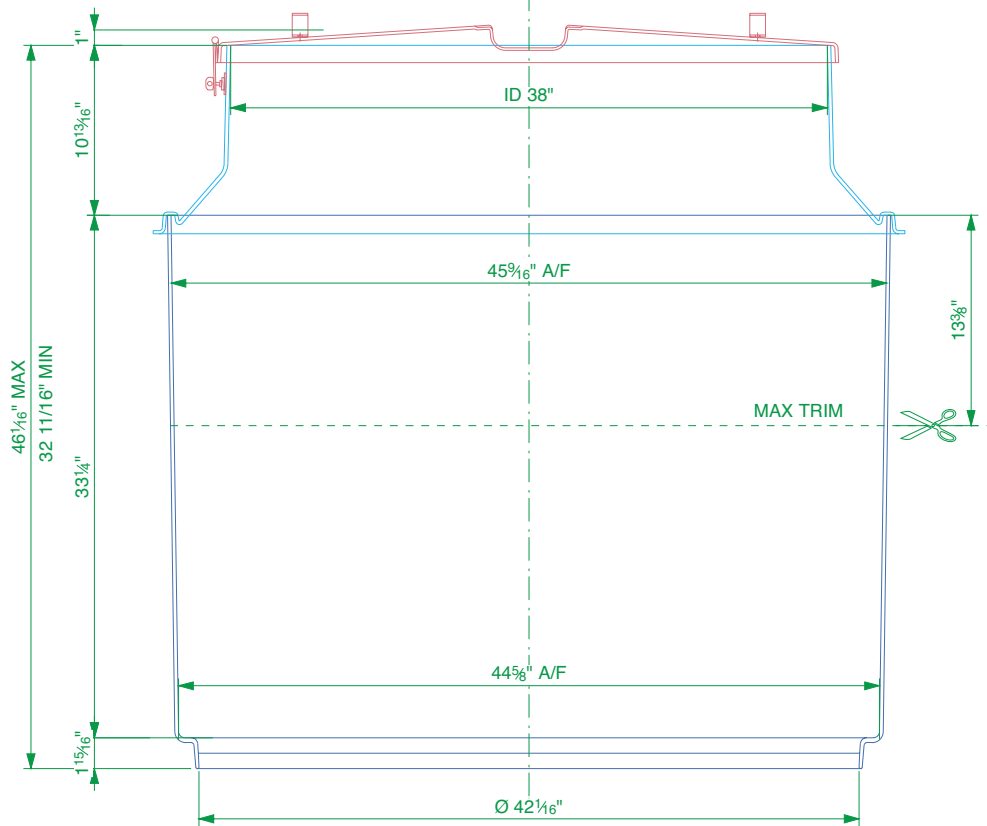
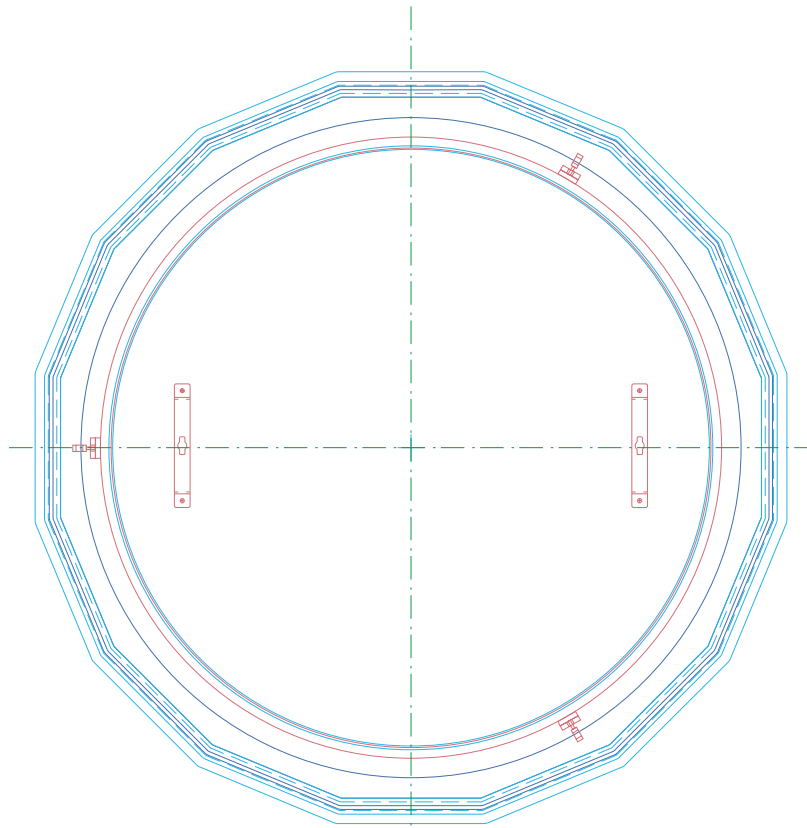
FIBRELITE 
PART OF OPW A  COMPANY



47" diameter sump with collar ring base, corbel and lockable lid. Designed for green area applications.

For reference purposes only. This drawing is not a specification. Order against product code only. To enable continuous improvement of our products, the designs and specifications are subject to change without notice.

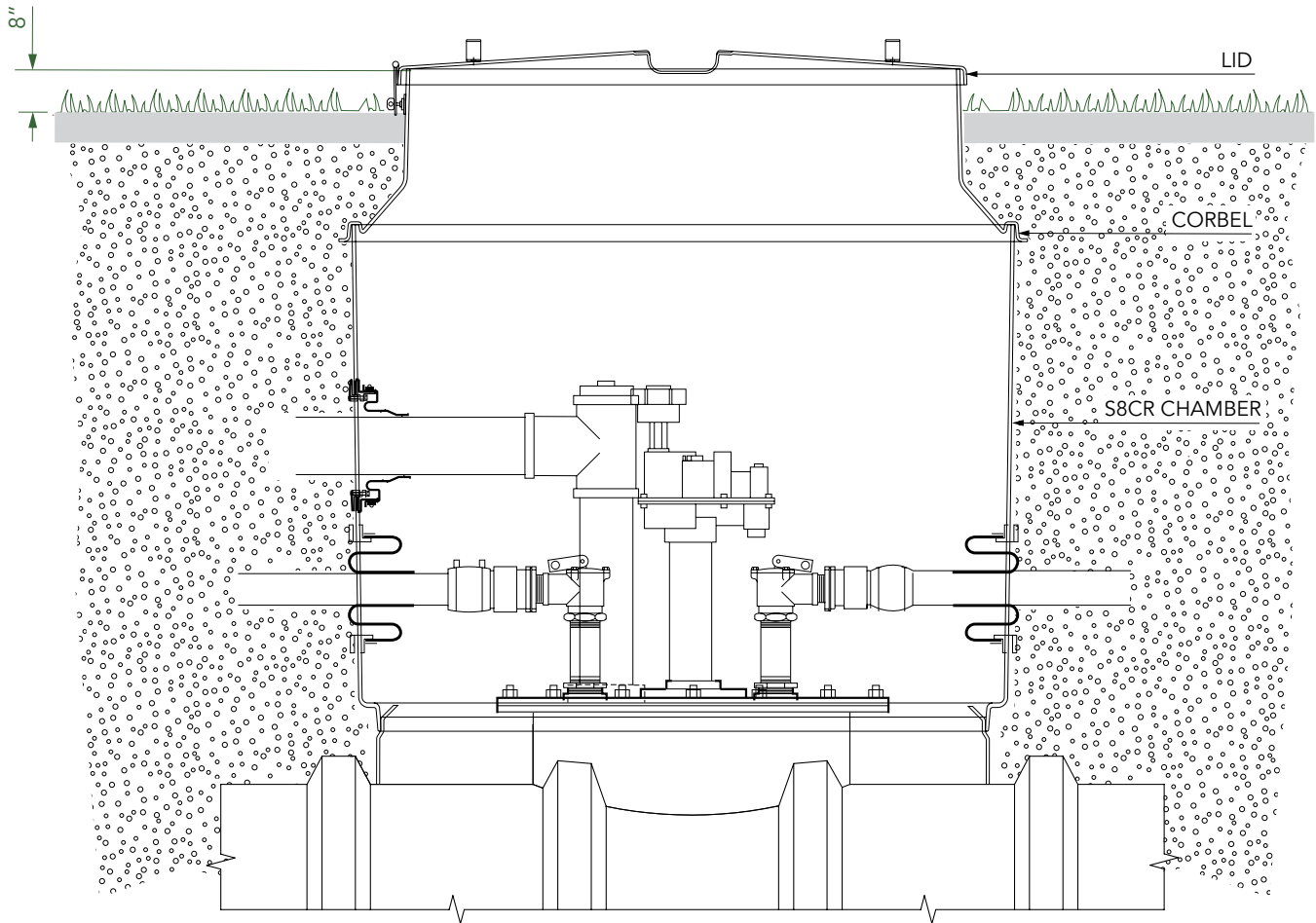
FIBRELITE 
PART OF OPW A DOWDER COMPANY



47" diameter sump with collar ring base, corbel and lockable lid. Designed for green area applications.

For reference purposes only. This drawing is not a specification. Order against product code only. To enable continuous improvement of our products, the designs and specifications are subject to change without notice.

FIBRELITE 
 PART OF OPW A DOWDER COMPANY



SOIL



PEA GRAVEL

47" diameter sump with collar ring base, corbel and lockable lid. Designed for green area applications.

For reference purposes only. This drawing is not a specification. Order against product code only. To enable continuous improvement of our products, the designs and specifications are subject to change without notice.

FIBRELITE 
PART OF OPW A DOWER COMPANY