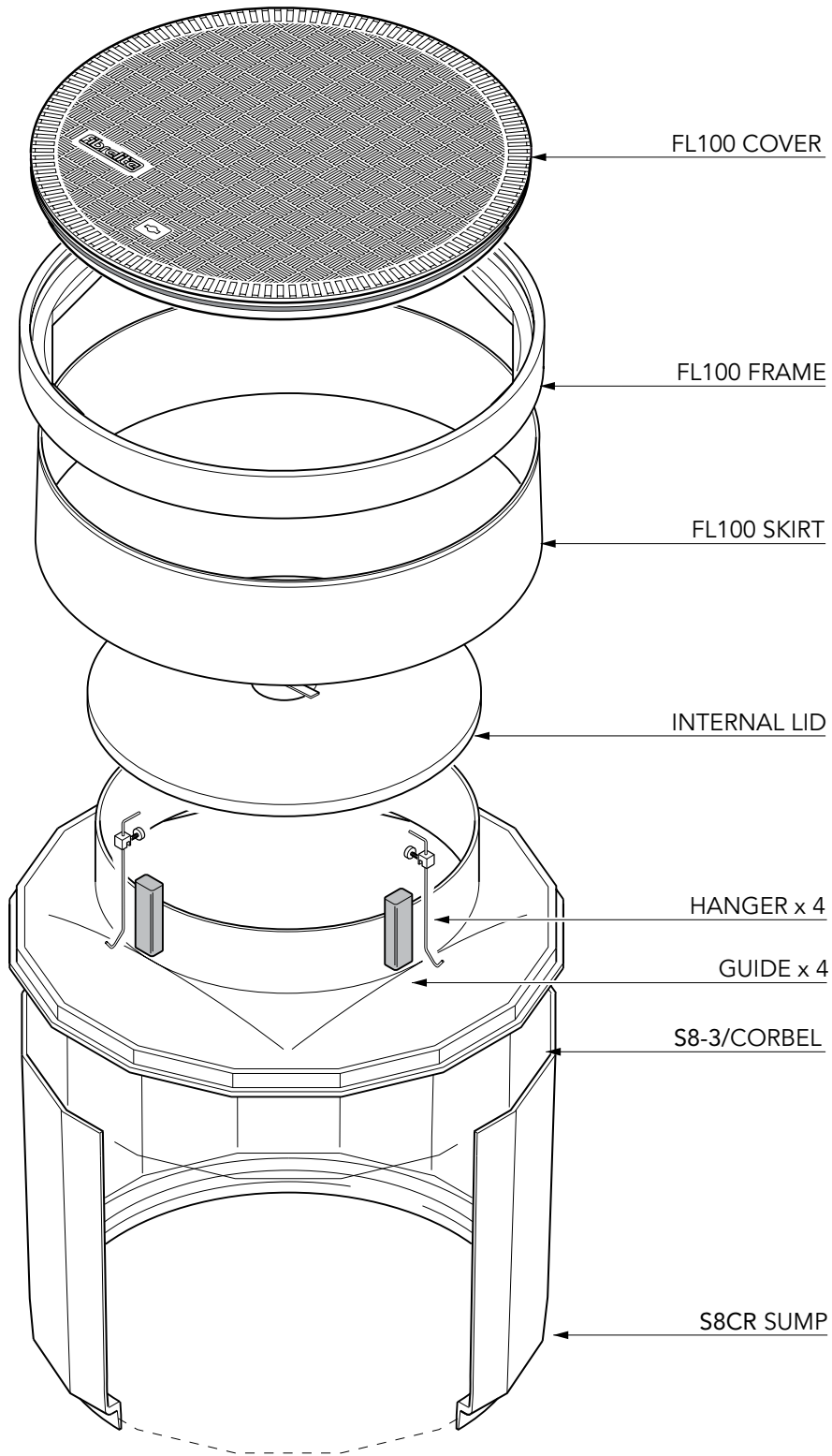


FRP sumps to fit 42" tank collar with a sealed corbel, internal lid and 42" watertight, flat sealed manhole cover.

For reference purposes only. This drawing is not a specification. Order against product code only. To enable continuous improvement of our products, the designs and specifications are subject to change without notice.

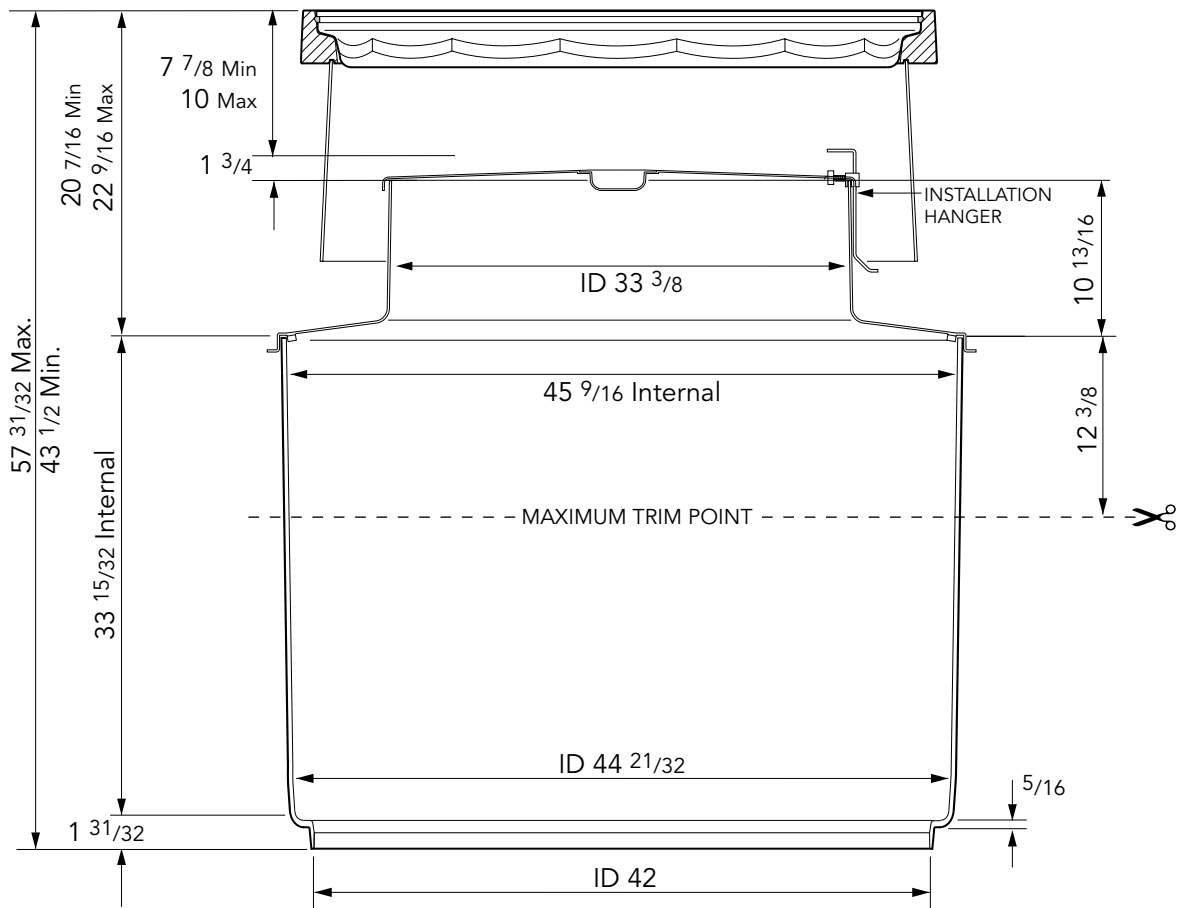
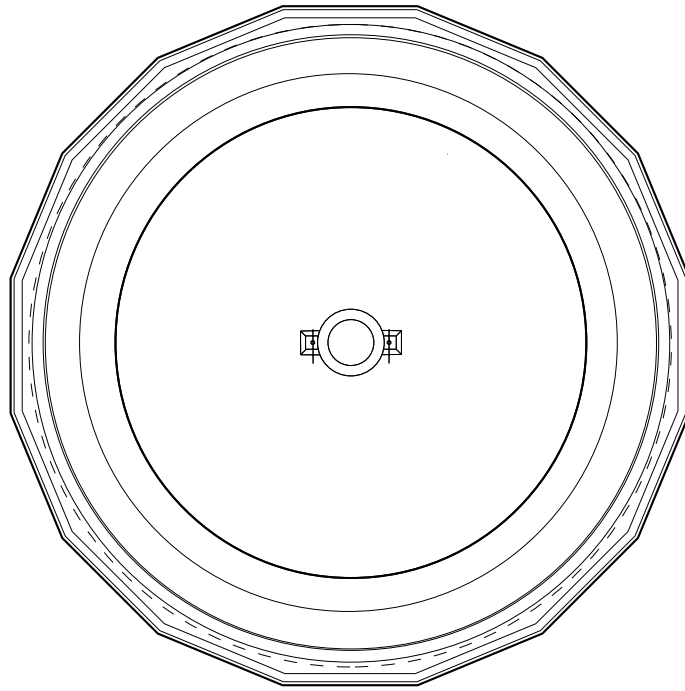
FIBRELITE 
PART OF OPW A DOVER COMPANY



FRP sumps to fit 42" tank collar with a sealed corbel, internal lid and 42" watertight, flat sealed manhole cover.

For reference purposes only. This drawing is not a specification. Order against product code only. To enable continuous improvement of our products, the designs and specifications are subject to change without notice.





FRP sumps to fit 42" tank collar with a sealed corbel, internal lid and 42" watertight, flat sealed manhole cover.

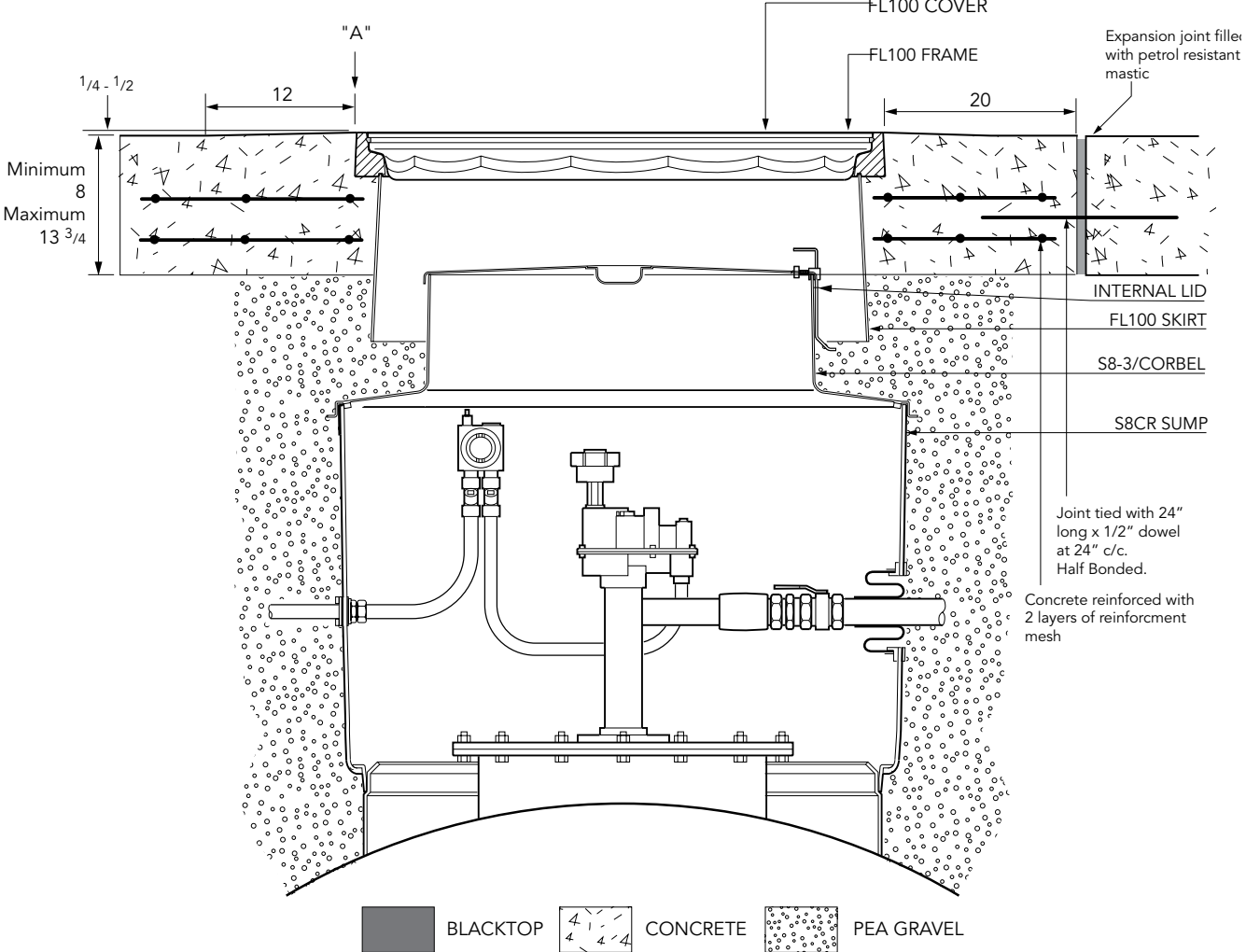
For reference purposes only. This drawing is not a specification. Order against product code only. To enable continuous improvement of our products, the designs and specifications are subject to change without notice.

FIBRELITE 
 PART OF OPW A DOVER COMPANY

VERY IMPORTANT
OUTER EDGE "A" OF FRAME SET 1/4 - 1/2"
ABOVE GENERAL GRADE AREA WITH
CONCRETE RAMPED AWAY OVER 12".

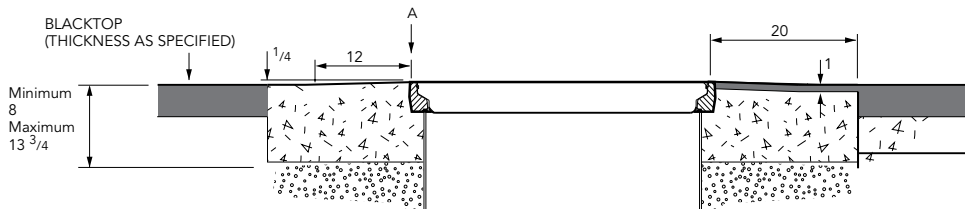
TYPICAL INSTALLATION

CONCRETE



ALTERNATIVE INSTALLATION ADVICE

BLACKTOP



FRP sumps to fit 42" tank collar with a sealed corbel, internal lid and 42" watertight, flat sealed manhole cover.

For reference purposes only. This drawing is not a specification. Order against product code only. To enable continuous improvement of our products, the designs and specifications are subject to change without notice.

