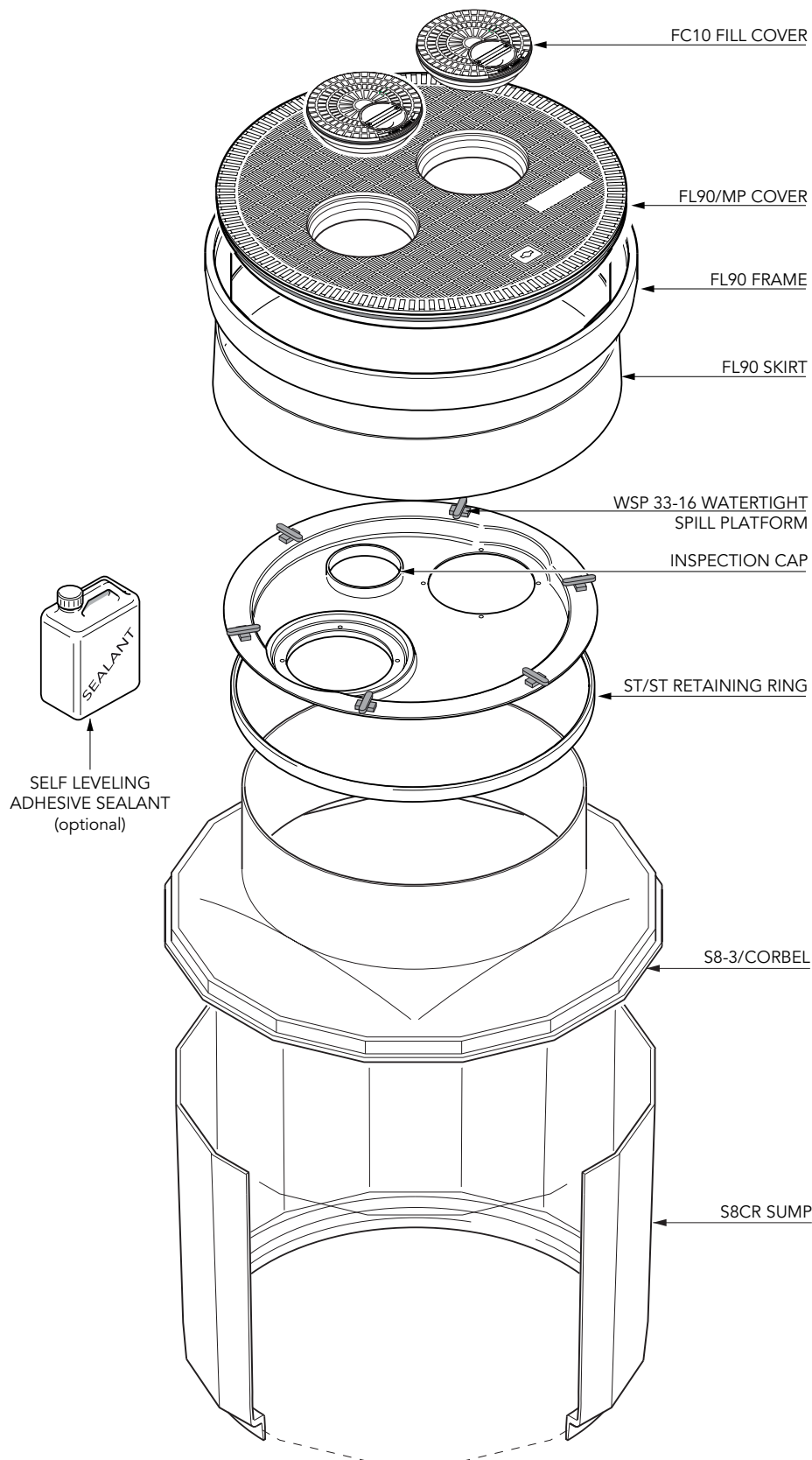


45" diameter x 33" deep sump base to fit 42" tank collar ring, corbel and watertight spill platform for (2) 5-gallon spill buckets. 36" diameter multiport cover, frame and skirt.

For reference purposes only. This drawing is not a specification. Order against product code only. To enable continuous improvement of our products, the designs and specifications are subject to change without notice.

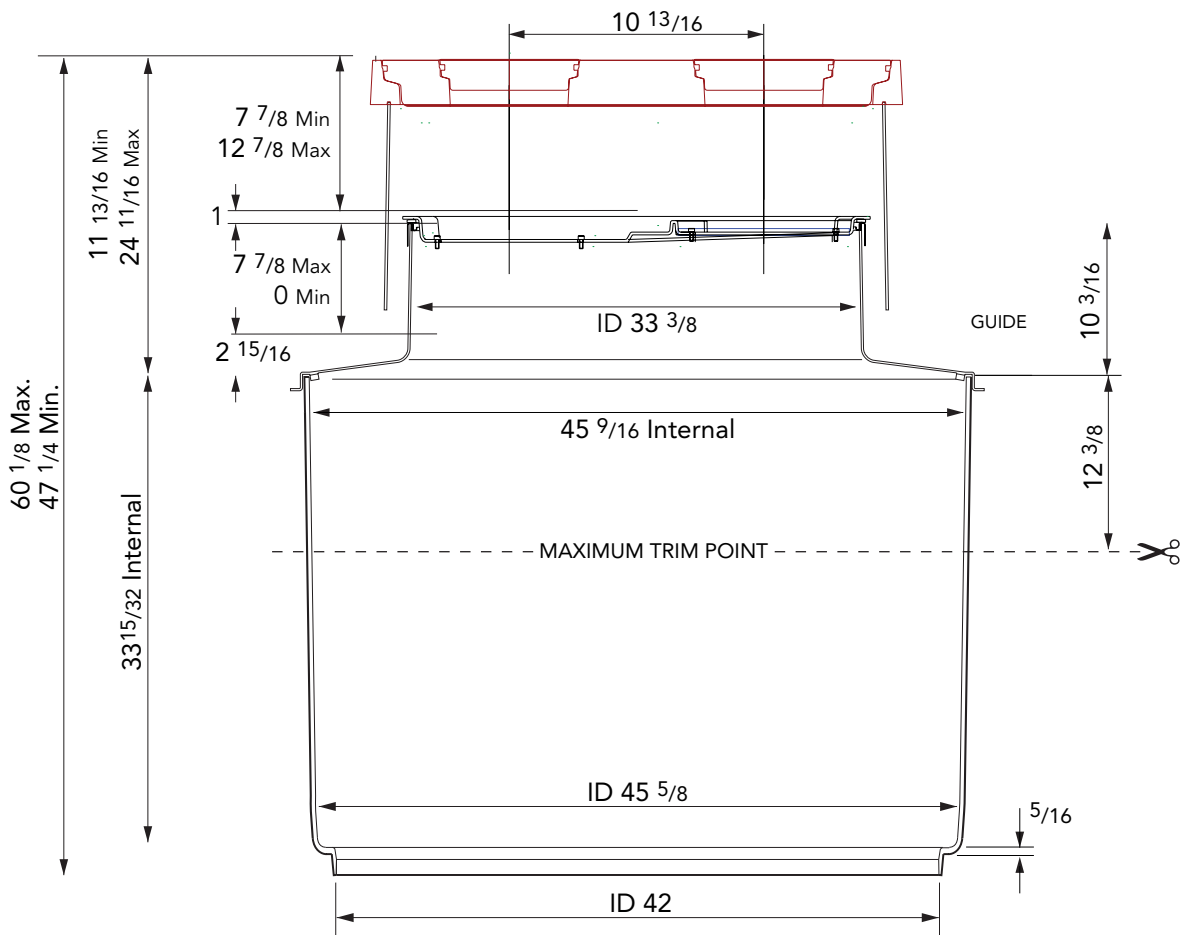
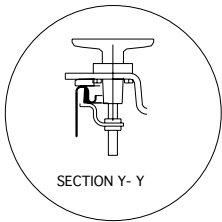
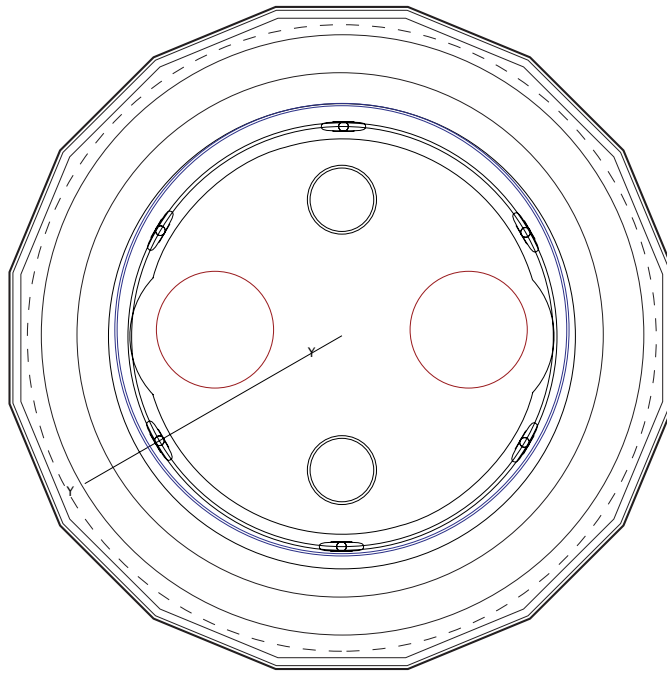
FIBRELITE 
PART OF OPW A DOVER COMPANY



45" diameter x 33" deep sump base to fit 42" tank collar ring, corbel and watertight spill platform for (2) 5-gallon spill buckets. 36" diameter multiport cover, frame and skirt.

For reference purposes only. This drawing is not a specification. Order against product code only. To enable continuous improvement of our products, the designs and specifications are subject to change without notice.

FIBRELITE 
PART OF OPW A DOWER COMPANY



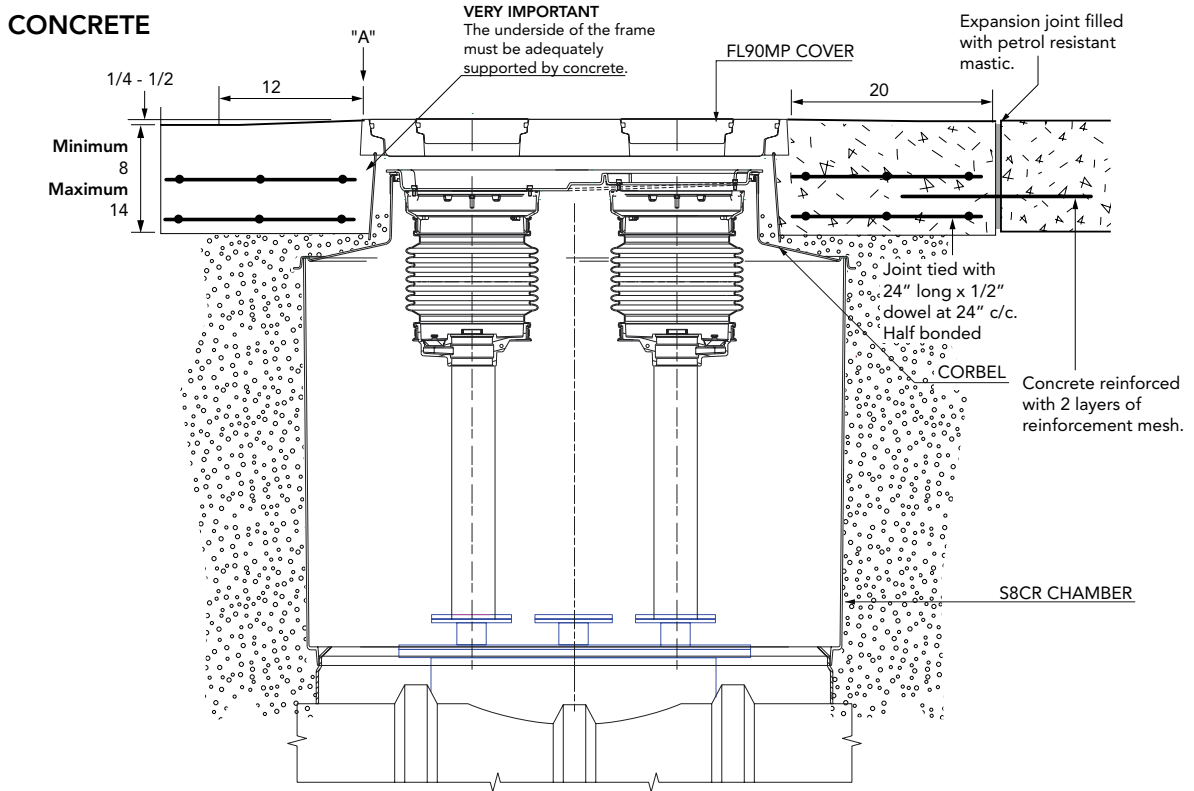
45" diameter x 33" deep sump base to fit 42" tank collar ring, corbel and watertight spill platform for (2) 5-gallon spill buckets. 36" diameter multiport cover, frame and skirt.

For reference purposes only. This drawing is not a specification. Order against product code only. To enable continuous improvement of our products, the designs and specifications are subject to change without notice.

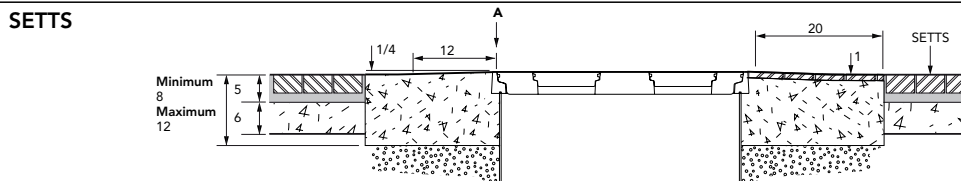
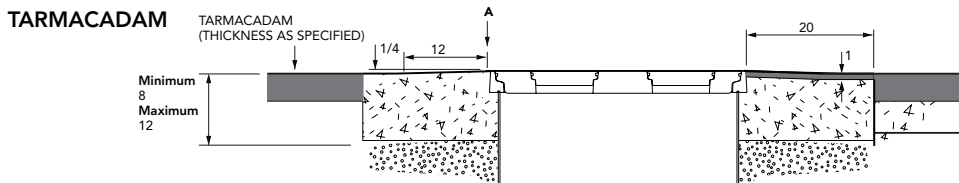
FIBRELITE 
 PART OF OPW A DOVER COMPANY

VERY IMPORTANT
 OUTER EDGE "A" OF FRAME SET 1/4"-1/2"
 ABOVE GENERAL FORECOURT AREA WITH
 CONCRETE RAMPED AWAY OVER 12".

TYPICAL INSTALLATION



ALTERNATIVE INSTALLATION ADVICE



45" diameter x 33" deep sump base to fit 42" tank collar ring, corbel and watertight spill platform for (2) 5-gallon spill buckets. 36" diameter multiport cover, frame and skirt.

For reference purposes only. This drawing is not a specification. Order against product code only. To enable continuous improvement of our products, the designs and specifications are subject to change without notice.

