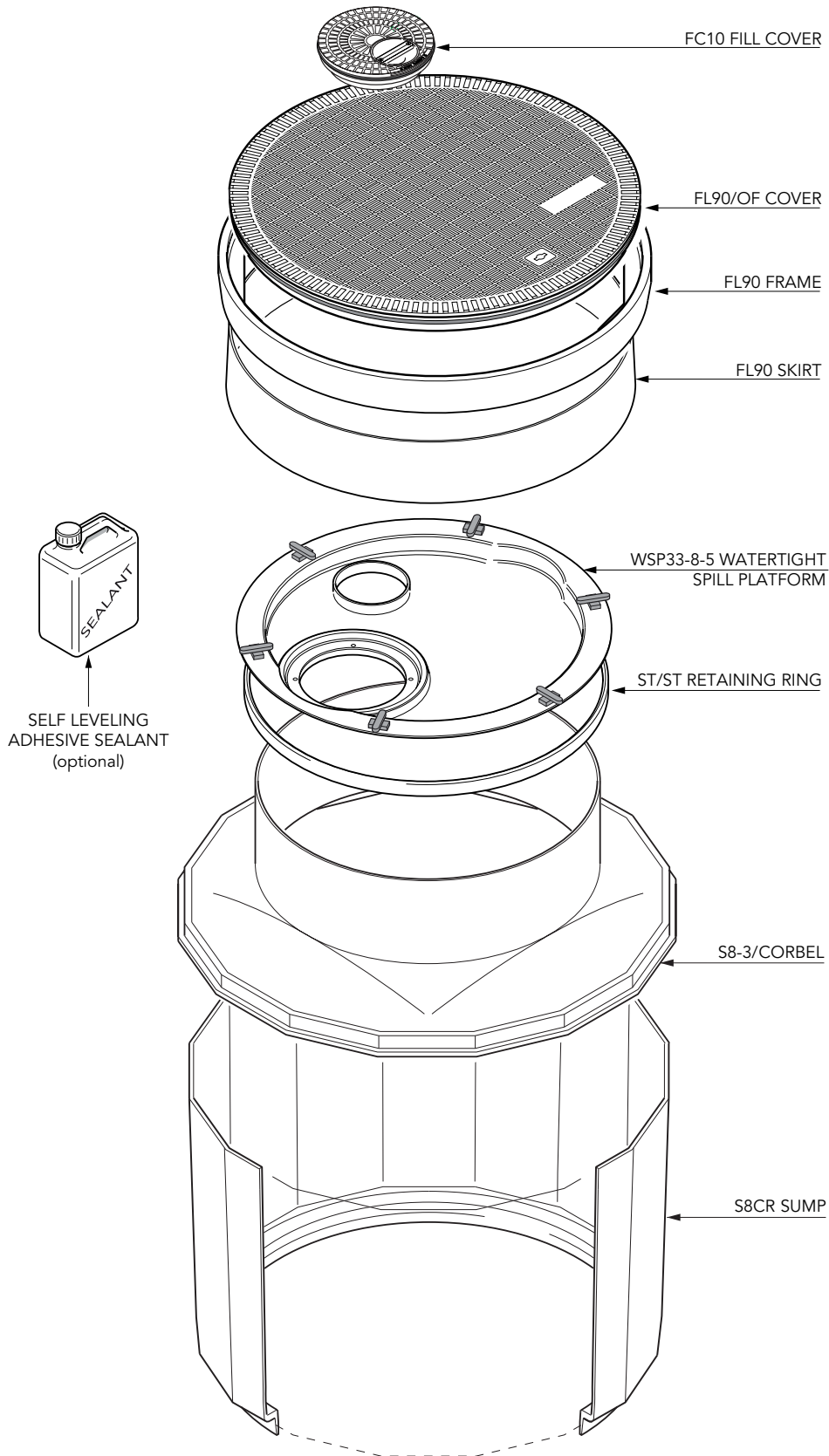


45" diameter x 33" deep sump base to fit 42" tank collar ring, corbel and watertight spill platform for a single 5-gallon spill bucket. 36" diameter offset cover, frame and skirt.

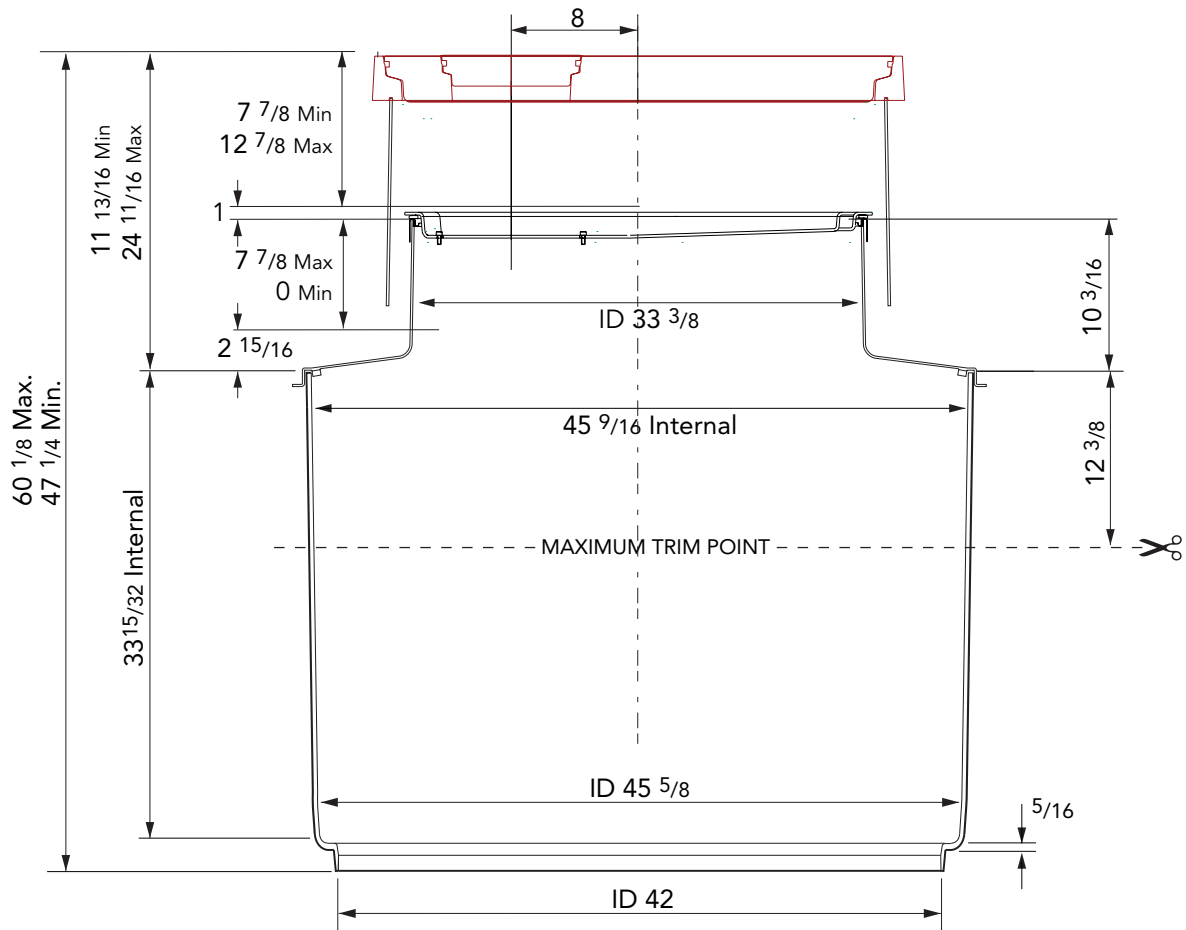
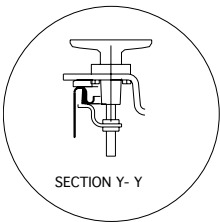
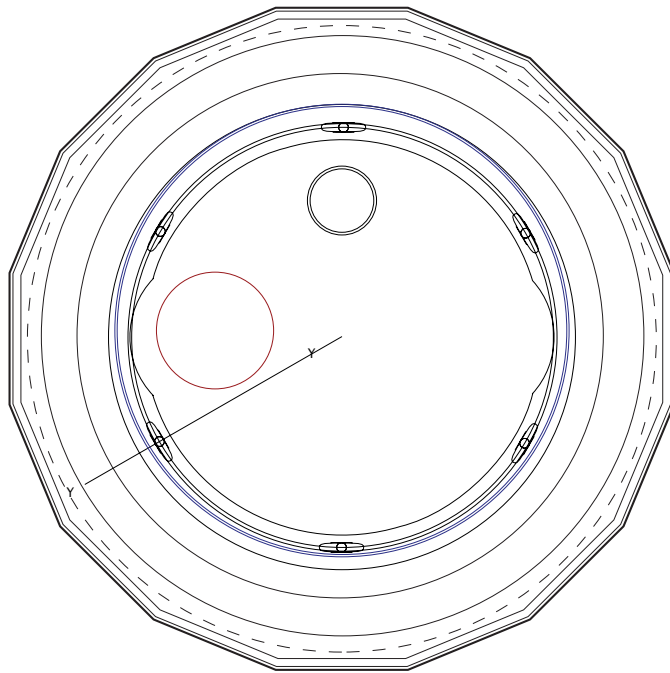
For reference purposes only. This drawing is not a specification. Order against product code only. To enable continuous improvement of our products, the designs and specifications are subject to change without notice.



45" diameter x 33" deep sump base to fit 42" tank collar ring, corbel and watertight spill platform for a single 5-gallon spill bucket. 36" diameter offset cover, frame and skirt.

For reference purposes only. This drawing is not a specification. Order against product code only. To enable continuous improvement of our products, the designs and specifications are subject to change without notice.

**FIBRELITE**   
PART OF OPW A DOWDER COMPANY



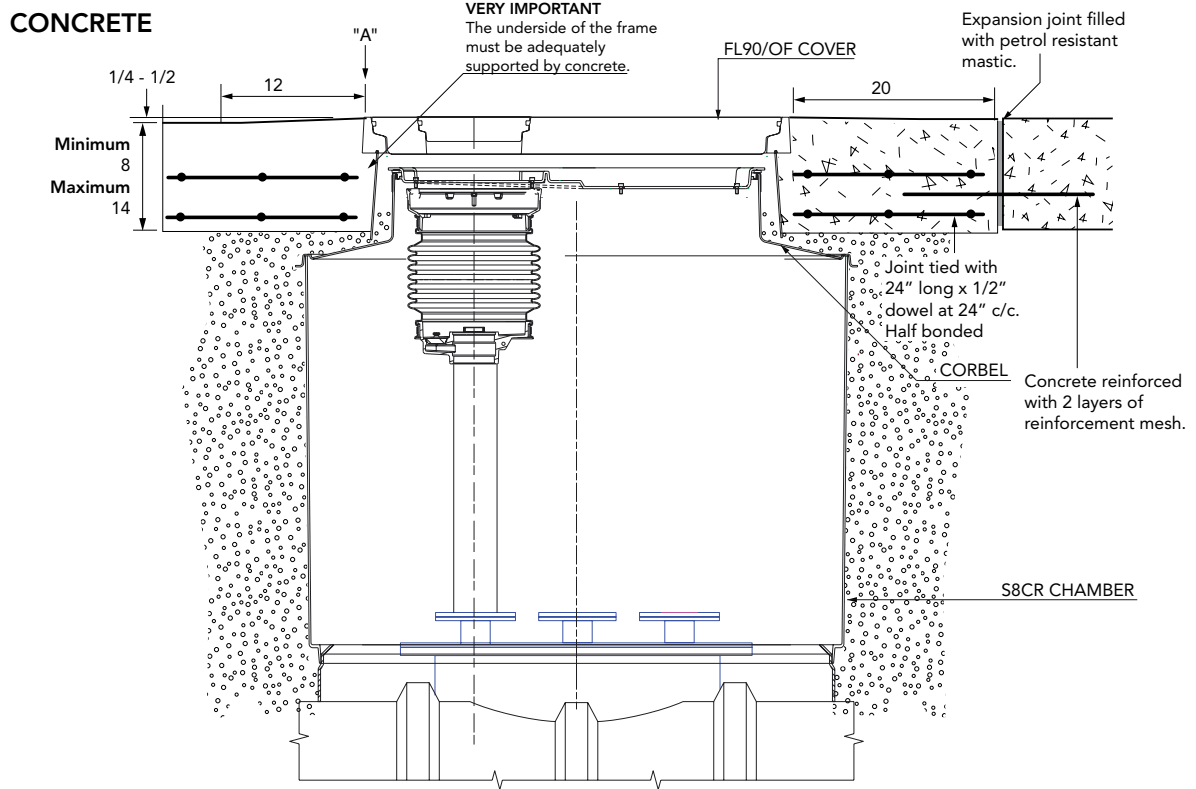
45" diameter x 33" deep sump base to fit 42" tank collar ring, corbel and watertight spill platform for a single 5-gallon spill bucket. 36" diameter offset cover, frame and skirt.

For reference purposes only. This drawing is not a specification. Order against product code only. To enable continuous improvement of our products, the designs and specifications are subject to change without notice.

**FIBRELITE**   
 PART OF OPW A DOWDER COMPANY

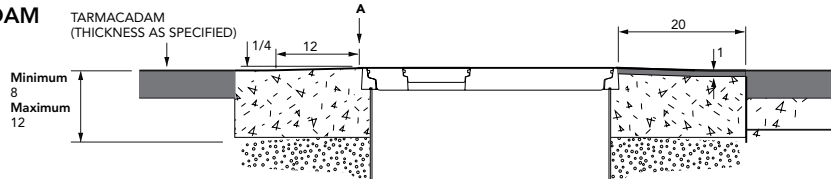
**VERY IMPORTANT**  
 OUTER EDGE "A" OF FRAME SET 1/4"-1/2"  
 ABOVE GENERAL FORECOURT AREA WITH  
 CONCRETE RAMPED AWAY OVER 12".

**TYPICAL INSTALLATION**

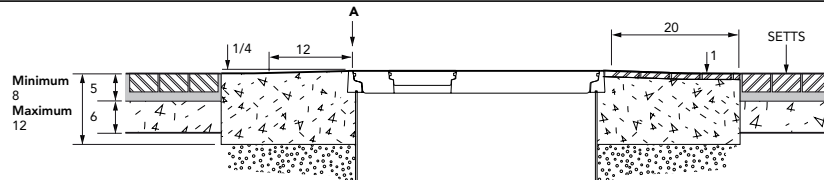


**ALTERNATIVE INSTALLATION ADVICE**

**TARMACADAM**



**SETTS**



45" diameter x 33" deep sump base to fit 42" tank collar ring, corbel and watertight spill platform for a single 5-gallon spill bucket. 36" diameter offset cover, frame and skirt.

For reference purposes only. This drawing is not a specification. Order against product code only. To enable continuous improvement of our products, the designs and specifications are subject to change without notice.

