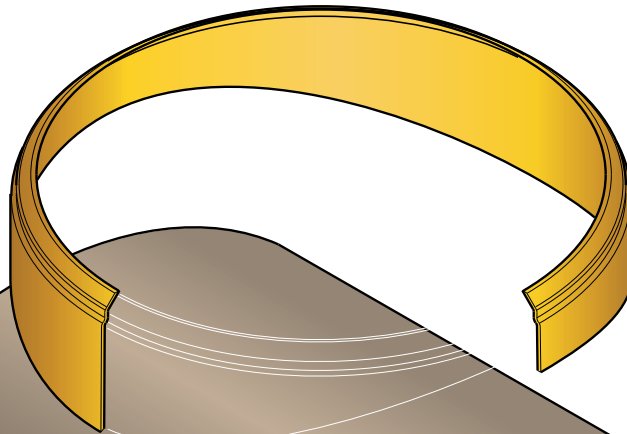
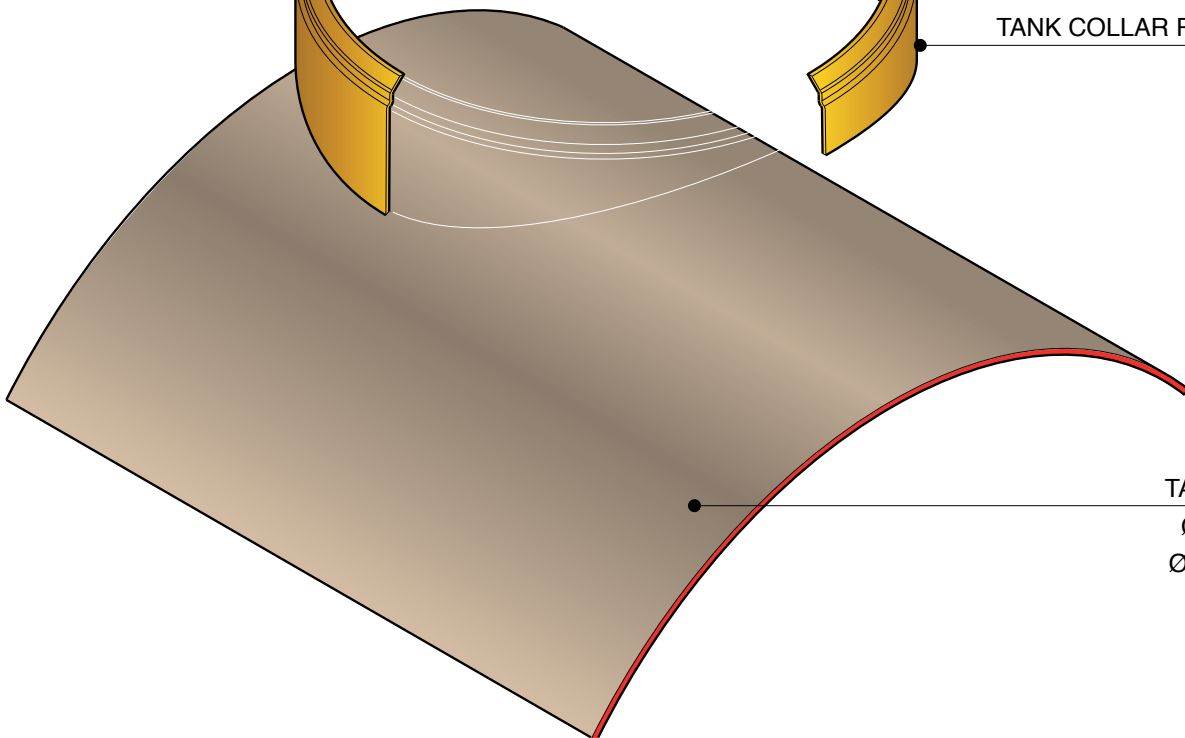


SUMP



TANK COLLAR RING

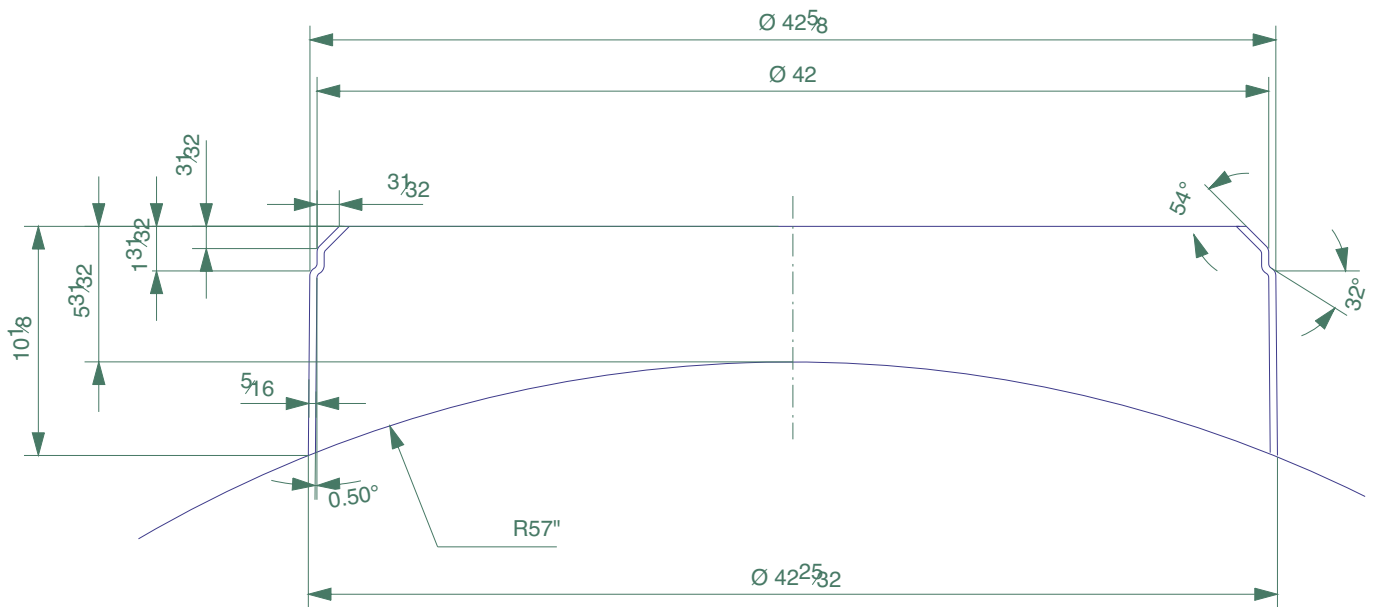
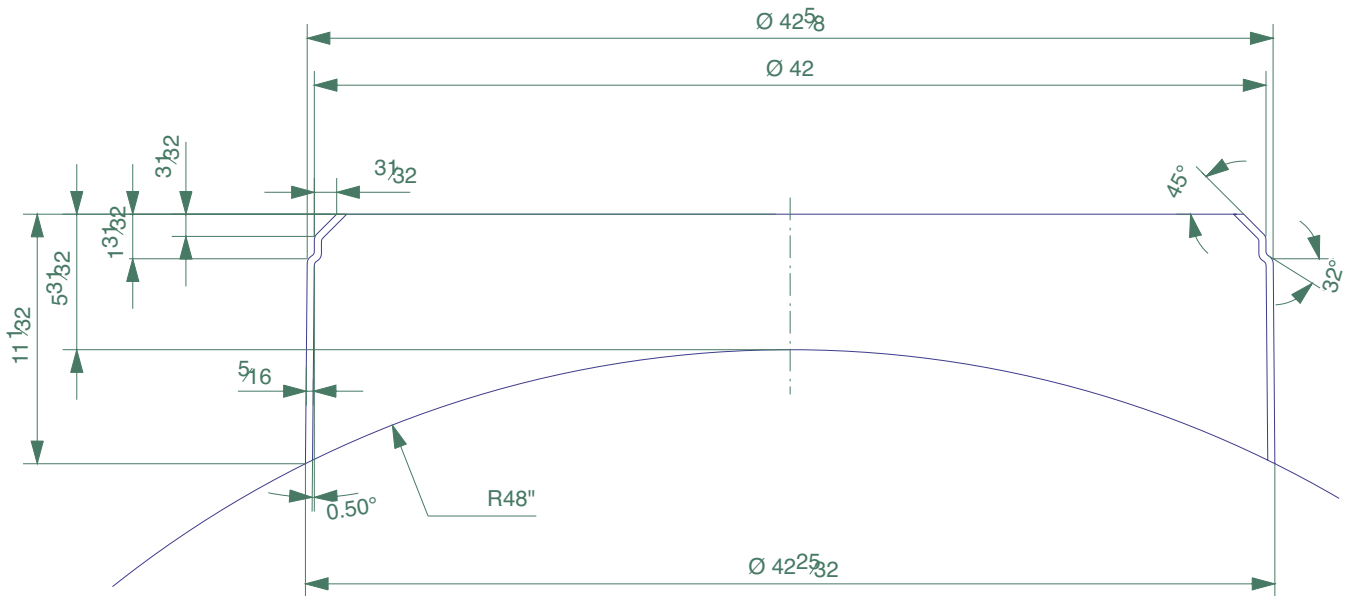


TANK
Ø96"
Ø114"

Tank collar to fit S8CR collar ring chamber/sump.

For reference purposes only. This drawing is not a specification. Order against product code only. To enable continuous improvement of our products, the designs and specifications are subject to change without notice.

FIBRELITE 
PART OF OPW A DOVER COMPANY



Tank collar to fit S8CR collar ring chamber/sump.

For reference purposes only. This drawing is not a specification. Order against product code only. To enable continuous improvement of our products, the designs and specifications are subject to change without notice.

FIBRELITE 
PART OF OPW A DOVER COMPANY