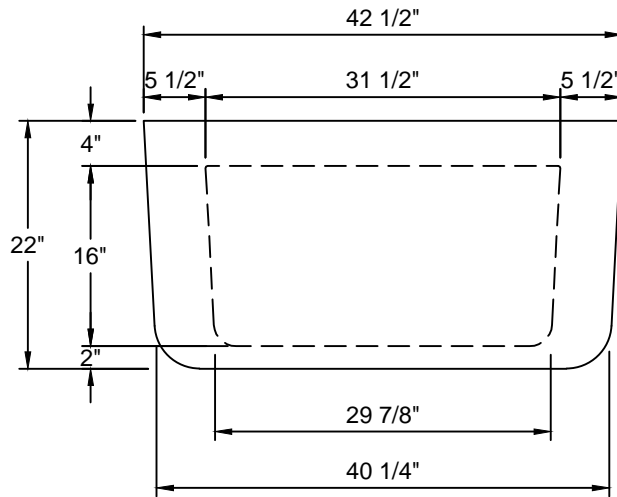
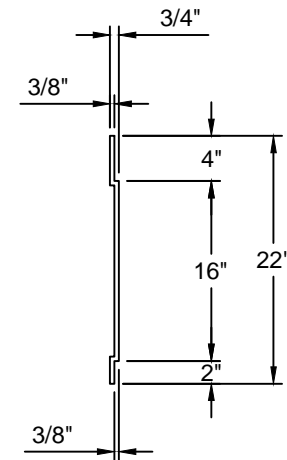


TPG90-06
WEIGHT: 1 LBS



WHG3016
WEIGHT: 8 LBS



USE TPG90-06 TO FASTEN END WALL TO BASE.



1419 ALEXANDRIA PIKE
FORT THOMAS, KY 41075
859-781-0831

FIBRELITE - END WALL

DATE:
02/28/24

WHG3016

REV:
0