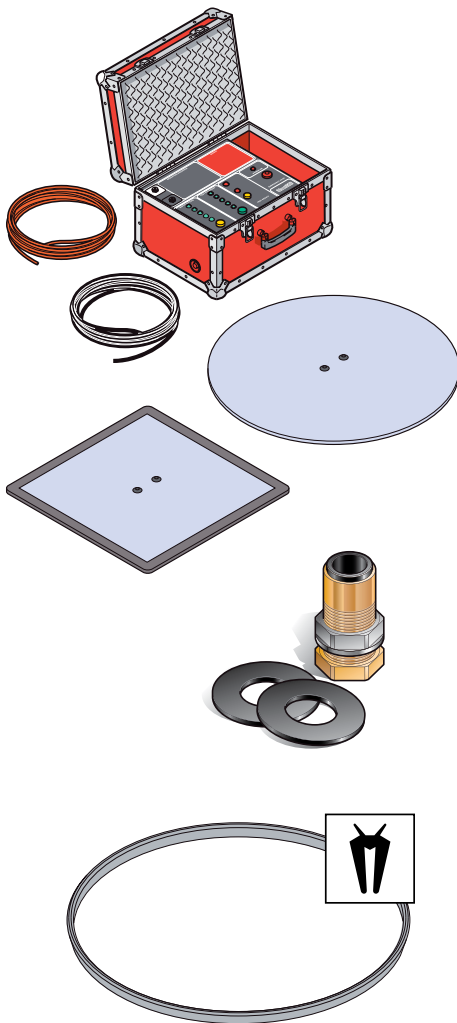


sherlock®

The Sherlock system comprises of an electronic vacuum testing module and a series of see-through Perspex test plates designed to fit various models of Fibrelite sumps.



Product Code	Description
VTM/220	220 Volt electronic vacuum test module
VTM/110	110 Volt electronic vacuum test module
CTP/R/S8	Round test plate to fit S8 sumps
CTP/R/S14	Round test plate to fit S14 sumps
CTP/R/S15	Round test plate to fit S15 sump
CTP/R/S16	Round test plate to fit S16 sump
CTP/S/S7	Square test plate to fit S5, S6 & S7 sumps
CTP/R/CORBEL	Round corbel test plate
CTP/R/CORBEL/100	Round corbel test plate for FL100 systems
CTP/S/CORBEL	Square corbel test plate
CTP/FL90	FL90 Frame test plate
CTP/FL760	FL760 Frame test plate
CTP/FL180	FL180 Frame test plate
CTP/FL120	FL120 Frame test plate
CTP/FL76	FL76 Frame test plate
CTP/FL60	FL60 Frame test plate
CTP/BHF/8mm	8mm replacement valve fitting
CTP/S/CORBEL/SEAL	Replacement seal for square corbel test plate
CTP/S/S5/SEAL	Replacement seal for S5 sump test plate
CTP/S/S7/SEAL	Replacement seal for S7 sump test plate
CTP/R/CORBEL/SEAL	Replacement seal for round corbel test plate
CTP/R/CORBEL/100/SEAL	Replacement seal for round 100 corbel test plate
CTP/R/S8/SEAL	Replacement seal for S8 sump test plate
CTP/R/S14/SEAL	Replacement seal for S14 sump test plate
CTP/R/S15/SEAL	Replacement seal for S15 sump test plate
CTP/R/S16/SEAL	Replacement seal for S16 sump test plate

We've got you covered